



ASTROMASTER[®]

EQ TELESCOPE

ENGLISH



INSTRUCTION MANUAL

Models #21062, 21064, 31035, 31042, 31045, 31051
(70EQ, 90EQ, 76EQ, 114EQ, 130EQ, 130EQ-MD)



CONTENTS

SOLAR WARNING	5
WHAT'S IN THE BOX	6
ASSEMBLING YOUR TELESCOPE	7
The Tripod and Equatorial Mount	7
Counterweight Bar and Counterweights	8
Slow Motion Controls	8
The Telescope Tube	9
The Erect Image Diagonal (Refracting Telescopes Only)	9
The Eyepiece	10
The StarPointer Finderscope	10
Changing the Finderscope Battery	11
Moving the Telescope	11
Aligning the Finderscope	12
Balancing the Telescope	12
POLAR ALIGNMENT	14
YOUR FIRST ASTRONOMICAL OBSERVING SESSION	16
The Moon	16
CELESTIAL OBSERVING TIPS	16
Magnification	16
Field of View	16
The Planets	17
Deep-Sky Objects	17
Sky Conditions	18
Selecting an Observing Site	18
Choosing the Best Time to Observe	18
Cooling the Telescope	19
Adapting Your Eyes	19
Astroimaging	19
Deep-Sky Observing Equipment	20
Star Hopping	20
CARE AND CLEANING OF THE TELESCOPE	21
COLLIMATION OF A NEWTONIAN TELESCOPE	22
Aligning the Secondary Mirror	23
Aligning the Primary Mirror	23
A Word on Setting Circles	24
NOTES	26
CELESTRON TWO YEAR LIMITED WARRANTY	28

SOLAR WARNING

- Never look directly at the Sun with the naked eye or with a telescope unless you have the proper solar filter. Permanent and irreversible eye damage may result.
- Never use your telescope to project an image of the Sun onto any surface. Internal heat build-up can damage the telescope and any accessories attached to it.
- Never use an eyepiece solar filter or a Herschel wedge. Internal heat build-up inside the telescope can cause these devices to crack or break, allowing unfiltered sunlight to pass through to the eye.
- Do not leave the telescope unsupervised, either when children are present or adults unfamiliar with the correct operating procedures of your telescope are present.

WHAT'S IN THE BOX

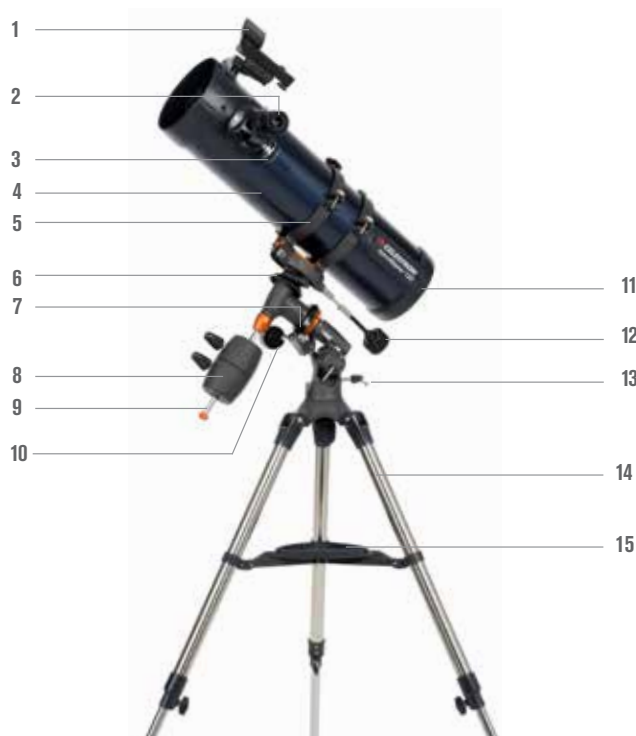
We recommend saving your telescope box so it can be used to store the telescope when it is not in use. Unpack the box carefully as some parts are small. Use the parts list below to verify that all parts and accessories are present.

PARTS LIST



(90 mm refractor shown)

- 1. Objective Lens
- 2. Telescope Tube
- 3. DEC Setting Circle
- 4. RA Setting Circle
- 5. RA Slow Motion Knob
- 6. Counterweight
- 7. Counterweight Bar
- 8. Tripod
- 9. Accessory Tray
- 10. Dovetail Mounting bracket
- 11. StarPointer Finderscope
- 12. Eyepiece
- 13. Erect Image Diagonal
- 14. Focus Knob
- 15. DEC Slow Motion Knob
- 16. Equatorial Mount
- 17. Latitude Adjustment Screw



(130 mm Newtonian shown)

- 1. StarPointer Finderscope
- 2. Eyepiece
- 3. Focus Knob
- 4. Telescope Tube
- 5. Tube Rings
- 6. DEC Setting Circle
- 7. RA Setting Circle
- 8. Counterweights
- 9. Counterweight Bar
- 10. RA Slow Motion Knob
- 11. Primary Mirror
- 12. DEC Slow Motion Knob
- 13. Latitude Adjustment Screw
- 14. Tripod
- 15. Accessory Tray

ASSEMBLING YOUR TELESCOPE

THE TRIPOD AND EQUATORIAL MOUNT

This section covers the assembly instructions for your AstroMaster EQ telescope. Your telescope should be set up indoors the first time so that it is easy to identify the various parts and familiarize yourself with the correct assembly procedure before attempting it outdoors.

To assemble tripod:

1. Remove the tripod and mount from the box.
2. Loosen the hand knobs at the bottom of each leg and extend the inner section of the leg to the desired length. Tighten the knobs to secure the legs, being careful not to over tighten.
3. Stand the tripod upright and pull the tripod legs apart until the center brace snaps into place.
4. Place the accessory tray on top of the center brace lined up the keyed hole in the center. Rotate the tray until the tabs at the three points of the tray snap into the holders on each arm of the tripod's center brace.



The equatorial mount allows you to tilt the telescope's axis of rotation so that you can track celestial targets as they move across the sky.

1. Remove the equatorial mount from the box.
2. Set the protrusion base of the equatorial mount into the indentation on the top of the tripod head.
3. Use the large hand knob under the tripod head to secure the mount to the tripod. Thread until snug, but do not overtighten.
4. Thread the latitude adjustment screw into the threaded hole on the back of the mount. You only need to thread this in a short way as you will adjust this screw later.



COUNTERWEIGHT BAR AND COUNTERWEIGHTS

In order to properly balance your telescope tube, the mount comes with a counterweight bar and counterweights.

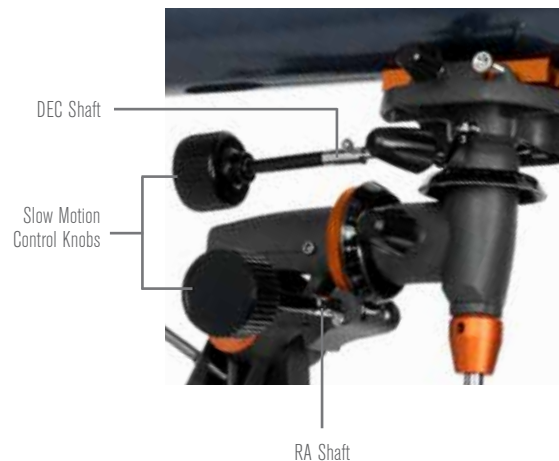
1. Remove the counterweight bar from the box and screw it into the threaded hole on the bottom of the declination axis of the mount.
2. Remove the orange counterweight safety screw from the bottom end of the counterweight bar.
3. Loosen the large black locking knob on the side of the counterweight. Make sure the hole through the counterweight is unobstructed.
4. Slide the counterweight onto the counterweight shaft about half way, then tighten the locking knob to hold the counterweight in place. If your telescope comes with more than one counterweight, add the second weight in the same manner as the first.
5. Replace the orange counterweight safety screw onto the bottom of the counterweight shaft. This will prevent the counterweight from falling off the shaft if it accidentally comes loose.



SLOW MOTION CONTROLS

The AstroMaster mount comes with two slow motion control knobs that allow you to make fine pointing adjustments to the telescope in both Right Ascension and Declination axes, also referred to as RA and DEC. To install the knobs:

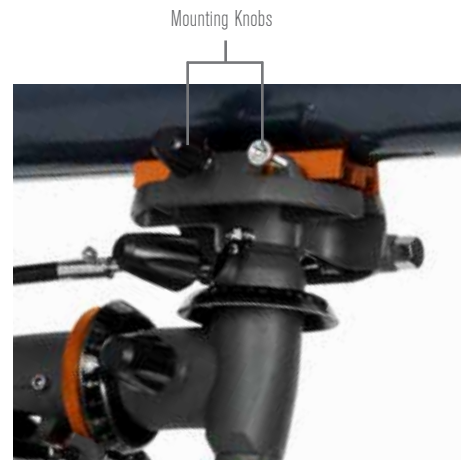
1. Locate the two knobs in the box. Both knobs are identical so it does not matter which one you use on each axis.
2. Loosen the set screw on the end of one of the two knobs.
3. Slide it onto the end of the RA gear shaft as far as it will go and tighten the setscrew to secure it in place. The RA knob can be used on either the left or right side of the mount, based on your preference.
4. Slide the other knob onto the DEC gear shaft and tighten the set screw to secure it.



THE TELESCOPE TUBE

The telescope tube attaches to the equatorial mount using a quick release dovetail system. For all of the refractor telescopes and the 76 mm Newtonian, the dovetail is attached directly to the telescope tube. For the 114 mm and 130 mm Newtonian telescopes, the dovetail attaches to tube rings that hold the telescope tube.

1. Loosen the two mounting knobs located on the side of the dovetail mounting bracket on the top of the equatorial mount. Make sure they are backed out far enough for the dovetail bar to slide into the mounting bracket.
2. Slide the dovetail bar on the telescope tube into the mounting bracket, making sure the dovetail is fully seated inside the bracket.
3. Tighten both mounting knobs to hold the telescope in place.



THE ERECT IMAGE DIAGONAL (Refracting telescopes only)

The erect image diagonal attaches to the back of a refracting telescope and contains a small prism that reflects light at a 90° angle, providing a more comfortable viewing position. Most astronomical telescopes will give a view that is either inverted or reversed left-to-right. The erect image diagonal corrects the image so that you will have a 100% correctly oriented image, making your telescope perfect for daytime terrestrial observing.

To insert the diagonal on the AstroMaster 70EQ and 90EQ refractors:

1. Remove the caps from both sides of the diagonal.
2. Loosen the setscrews on the back of the focuser and pull out the small dust cap.
3. Insert the smaller tube on the diagonal into the back of the focuser and secure it by tightening the setscrews. You can adjust the angle of the star diagonal to any desired direction before tightening the screws.



NOTE: An erect image diagonal is not able to reach focus on a Newtonian telescope. The image will always appear upside-down. The Newtonian telescopes come with one special 20 mm erecting eyepiece that has an erecting prism built-in for terrestrial use.

THE EYEPIECE

Your telescope comes with two eyepieces. The 20 mm which will give low magnification with a moderately wide field of view. The 10 mm will give you higher magnification, but a narrower field of view. Additional eyepieces can be purchased to increase or decrease the magnification to your desired level. When first locating an object, it is best to use the 20 mm eyepiece, then, once the object is centered, change to the 10 mm eyepiece to “zoom in” on it.

To install the eyepiece on the the AstroMaster 70EQ and 90EQ refractors:

1. Loosen the setscrews on the open end of the star diagonal.
2. Insert the silver barrel of the 20 mm eyepiece into the star diagonal.
3. Tighten the setscrews to secure the eyepiece in place.
4. To see the sharpest image possible, focus by looking through the eyepiece and slowly turning the focusing knobs until the image comes into sharp focus.



To install the eyepiece on the AstroMaster 76EQ, 114EQ and 130EQ Newtonian telescopes:

1. Loosen the setscrew on the end of the focuser and remove the dust cap.
2. Insert the silver barrel of the 20 mm eyepiece directly into the focuser.
3. Tighten the setscrew to secure the eyepiece in place.
4. To see the sharpest image possible, focus by looking through the eyepiece and slowly turning the focusing knobs until the image comes into sharp focus.

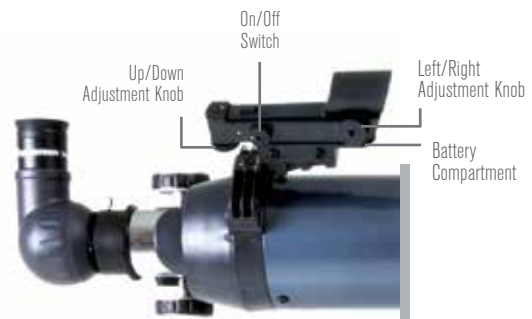


THE STARPOINTER FINDERSCOPE

Your telescope comes with a StarPointer red-dot finderscope that you will use as a sighting tool when aiming the telescope at a target.

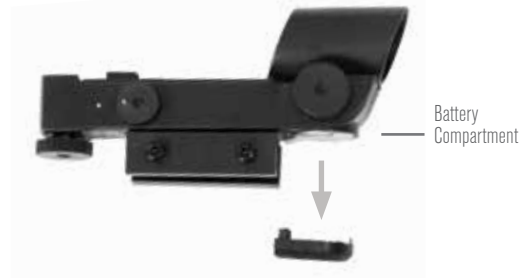
To install the finderscope:

1. Loosen the two Philips-head screws on the side of the finderscope and slide the clamp over the dovetail bracket near the telescope focuser. The large window on the finder should be facing the front of the telescope.
2. Secure the finderscope in place by tightening the two Philips-head screws. Do not over tighten these screws. Just make the connection snug.
3. Remove the small plastic tab under the battery cover. This is installed to prevent the battery from accidentally discharging during transportation.



CHANGING THE FINDERSCOPE BATTERY

To replace the StarPointer battery, remove the finder from the scope and turn it over. The battery compartment is located directly under the large lens assembly. Using a small screwdriver or your fingernail, gently lift straight up on the cover to remove it. The battery is held in place by a spring contact. Gently lift this contact and turn the finder on its side. The battery should slip right out. Replace the battery with a 3-Volt CR2032 button cell battery. Slide the new battery under the contact, making sure that the positive terminal of the battery (the side marked with a "+") is pointing upward, toward the spring contact. The battery should snap in place. Replace the cover by lining up the pins on the cover with the holes in the finderscope and pressing it down. Be sure to dispose of the old battery according to your local laws.



MOVING THE TELESCOPE

The AstroMaster equatorial mount was designed to move in two directions based on the celestial coordinate system. The Right Ascension, or RA, axis moves the telescope in the East/West direction). The Declination, or DEC, axis moves the telescope in the North/South direction. By moving the scope in RA and DEC, you will be able to point your telescope to any point in the sky.

To move the telescope over long distances:

1. Loosen the RA and DEC clutch knobs located on the side of the mount by turning them counter-clockwise. This will allow the scope to spin freely in each direction.
2. Move the scope by hand in RA and DEC until you are close to your desired position.
3. Tighten the two clutch knobs clockwise to secure the mount in place.

To make fine adjustments to the pointing of the telescope:

1. Make sure both clutches are locked.
2. Turn the RA or DEC slow motion knob as required to center an object in your eyepiece view.

NOTE: If the clutches are unlocked, the slow motion knobs will not work.



ALIGNING THE FINDERSCOPE

The StarPointer finderscope is a reflex sight that uses a red LED to project a red dot onto the round glass window. When you look through the window, you see the red dot superimposed on your target. The first time you assemble your telescope, you'll need to align the finderscope with the main optics of the telescope. Although this step can be done at night, it is significantly easier to do during the day. Once you have completed the finderscope alignment, you should not have to repeat this step unless the finderscope is bumped or dropped.

To install the StarPointer finderscope:

1. Take the telescope outside during the day. Using your naked eye, find an easily recognizable object, such as a streetlight, car license plate, or tall tree. The object should be as far away as possible, but at least a quarter mile away.
2. Remove the main dust cover from the telescope and make sure your 20 mm eyepiece is installed.
3. Move the telescope left and right or up and down so that it is roughly pointing toward the object you chose in step 1.
4. Look through the telescope's eyepiece and manually move the telescope until the object you chose lies in the center of the view. If the image is blurry, gently turn the focus knobs until it comes into sharp focus.
5. Once the object is centered in your 20 mm eyepiece, turn on the finderscope by turning the power/brightness switch knob on the side of the unit as far as it will go.
6. With your head positioned about a foot behind the finder, look through the round window and locate the red dot. It will probably be close to, but not on top of, the object you see when you are looking through the 20 mm eyepiece.
7. Without moving the telescope, use the two adjustment knobs on the side and underneath the finderscope. One controls the left-right motion of the reticle, while the other controls the up-down motion. Adjust both until the red dot appears over the same object you are observing in the 20 mm eyepiece.

Now choose some other distant targets to practice aiming your telescope. Look through the StarPointer finderscope window and place the red dot over the target you are trying to view and verify that it appears in the 20 mm eyepiece of the scope.

NOTE: Be sure to turn off the StarPointer finderscope when not in use to conserve battery power.

BALANCING THE TELESCOPE

To eliminate undue stress on the mount and gears, the telescope should be properly balanced on the mount.

To balance the mount in the RA axis:

1. Make sure the telescope is properly attached to the mount with the dovetail mounting knobs tightly secured.
2. Release the RA clutch knob to allow the scope to spin freely in the RA axis.
3. Rotate the telescope in the RA axis so that the telescope tube is on the side of the mount and the counterweight bar is parallel to the ground.
4. Slowly release your grip on the telescope and see what side is heavier – the side with the telescope tube or the side with the counterweight.
5. If the counterweight side is heavier, loosen the counterweight locking knob and slide the counterweight up the shaft (toward the telescope tube) a small amount, lock the counterweight down in its new position and try the test again.
6. If the telescope tube side is heavier, loosen the counterweight locking knob and slide the counterweight down the shaft (away from the telescope tube) a small amount, lock the counterweight down in its new position and try the test again.
7. Keep adjusting the position of the weight until you can let the telescope go and it does not move up or down.

To balance the scope in the DEC axis:

1. Place the telescope in the same position as listed for the RA balance test above with the telescope tube on one side of the mount and the counterweight bar parallel to the ground. Lock the RA clutch knob to hold the mount in place.
2. Holding the telescope tube securely with one hand, loosen the DEC clutch knob and rotate the telescope so that it is parallel to the ground.
3. Slowly let go of the telescope tube and see if the telescope starts to rotate upward or downward, then lock the DEC clutch knob to secure the tube in place.
4. If the nose of the telescope pointed upward, the tube is back-heavy and the balance point will need to change. Loosen the telescope tube dovetail mounting screws and slide the dovetail forward slightly. Tighten the two dovetail mounting screws and try the test again.
5. If the nose of the telescope pointed downward, the tube is front-heavy and the balance point will need to change. Loosen the telescope tube dovetail mounting screws and slide the dovetail back slightly. Tighten the two dovetail mounting screws and try the test again.
6. Keep adjusting the position of the dovetail bar until you can let the telescope go and it does not rotate up or down.

NOTE: For the 114mm and 130mm Newtonian telescopes, you can adjust the balance point of the telescope without moving the dovetail bar. Simply loosen the silver screws found on the two tube rings that surround the telescope tube. You can then slide the telescope tube forward or backward within the rings. When the balance point is reached, tighten the tube ring screws to lock it in place. You can also rotate the tube within the tube rings using this same method to place the eyepiece at a comfortable angle for viewing.



RA Axis



DEC Axis

POLAR ALIGNMENT

Your equatorial mount has the ability to easily track celestial targets by turning the RA slow motion knob or by using an optional motor drive that will turn it for you. In order for the mount to do this accurately, your mount will need to be “polar aligned” or setup so the RA axis of rotation is parallel to Earth’s rotational axis. This sounds more complicated than it is and after you have done it a few times, it will be second nature. The first step of polar aligning is to set your mount at the proper latitude setting for your observing site.

To set the latitude on your mount:

1. Adjust the height of all three tripod legs so that your mount is level. Eyeballing this is sufficient.
2. Determine your latitude on Earth. If you have GPS enabled device, such as a tablet or smartphone, you should be able to read your latitude directly from your device. If not, you can find this information online.
3. Locate the latitude scale, found on the side of the equatorial mount near the base.
4. Use the sliding handle to loosen the latitude adjustment locking knob by rotating it counter-clockwise.
5. Adjust the latitude adjustment screw on the back of the mount by rotating it clockwise or counter-clockwise until the pointer above the altitude scale points at your latitude on Earth.

Example: *In Los Angeles, California, our latitude is 33 degrees.*

6. Once you have set your latitude correctly, tighten the latitude adjustment locking knob by rotating it clockwise.

NOTE: This latitude setting generally only needs to be done once if you setup the scope in the same location every time you observe. The only time you would need to change this is if you travel with the telescope far enough North or South to change a degree of latitude. This is approximately 70 miles. Small changes such as moving the scope from your front yard to your back yard, or even to different locations within a city, will not require you to change this setting.



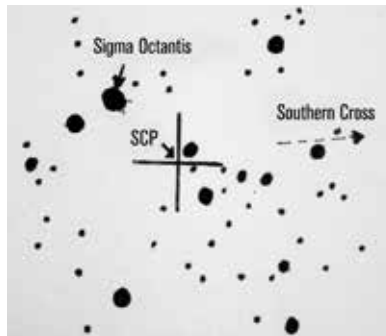
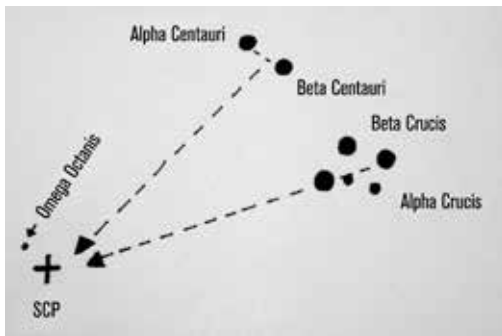
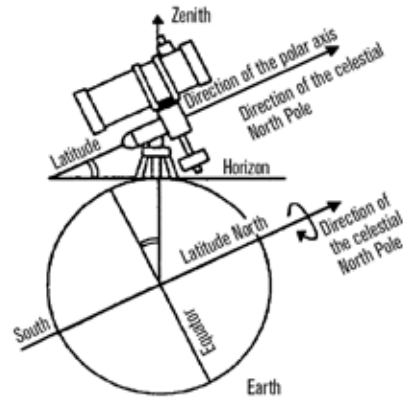
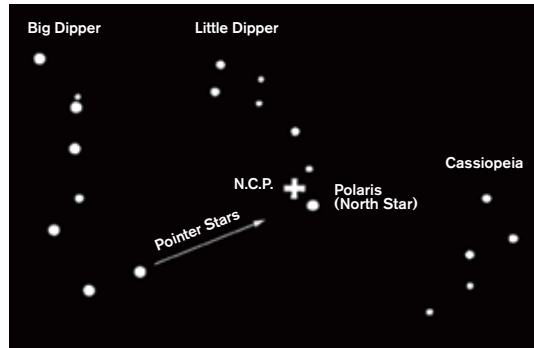
With your tripod level and your latitude set, the only thing left is to rotate the mount so that the polar axis (the RA axis of rotation) points north. To do this:

1. Setup the telescope so that the telescope tube is directly above the equatorial mount and the front of the telescope tube points directly over the counterweight bar. Lock down the RA and DEC clutch knobs to hold the mount in this position.
2. Locate the direction of north. There are two ways of doing this:
 - a. Use a magnetic compass or a smart device app to find magnetic north. This is the easiest method but unfortunately is not very accurate. Magnetic north can vary by as much as 15 degrees from true north. This is still a good method to get up and operating quickly since some compass apps for smart devices can compensate for magnetic variations and show true north.

b. If you have more time and a little knowledge of the night sky, you can actually find true north by looking for the Big Dipper and/or the constellation Cassiopeia. The star Polaris, the North Star, lies about 0.8 degrees away from true celestial north and is bright enough to find with the naked eye from suburban skies. Look for the two stars that form the end of the bowl of the dipper and draw a straight line through them and it will take you directly to Polaris. Using Polaris as true north will get you plenty close to an accurate polar alignment.

3. Slightly loosen the knob between the three tripod legs that holds the EQ mount to the tripod head. Loosen this just enough to rotate the mount inside the tripod head.
4. Grab the equatorial mount and rotate it until the optical tube is pointing in the same direction indicated by the compass needle. If you used the Polaris method, turn the mount until you sight down the length of the tube and see Polaris.
5. Once the mount is aligned to north, tighten the knob connecting the mount to the tripod to secure it in place.

NOTE: If you are in the Southern Hemisphere, you will use a compass to locate the south celestial pole. Turn the mount until the telescope points south when using a compass needle. Instead of Polaris, you can use the star Sigma Octantis. The Southern Cross is a good guide to finding this star.



With your mount polar aligned, you should find it very easy to track objects as they slowly drift across the sky as Earth rotates underneath them. You can also locate objects using the setting circles found on your mount. For more details on the use of setting circles, please see the section at the end of the manual titled "A Word on Setting Circles".

YOUR FIRST ASTRONOMICAL OBSERVING SESSION

THE MOON

Now you are ready to take your telescope out at night and do some real observing!

Let's start with the Moon. The Moon takes about one month to go through a complete phase cycle, from new Moon to full Moon and back again. Try observing it at different points during this cycle.

While you can observe the Moon any time it is visible in the sky, the best time to view it is from two days after a new Moon up to a few days before a full Moon. During this period, you will be able to see the most detail in craters and lunar mountain ranges. Consult a calendar to find out when the next new Moon will be.

1. With a clear view of the Moon, set up your telescope with the 20 mm eyepiece.
2. Turn on the finderscope and look through it to find the red dot.
3. Move the telescope until you can see the Moon through the finderscope's window and the red dot is centered on the Moon.
4. Look through the 20 mm eyepiece. Gently turn the focus knobs to adjust the sharpness of the image.

CONGRATULATIONS! YOU HAVE NOW OBSERVED YOUR FIRST CELESTIAL OBJECT!

You can view many other celestial objects, such as planets, star clusters and nebulae using this same basic technique.

CELESTIAL OBSERVING TIPS

This section covers visual observing hints for both solar system and deep-sky objects as well as general observing conditions which will affect your ability to observe.

MAGNIFICATION

You can change the magnification of your telescope by simply changing eyepieces. Both telescopes and eyepieces have focal lengths that are measured in millimeters. To calculate the magnification of a given telescope and eyepiece combination, take the focal length of the telescope and divide it by the focal length of the eyepiece. The resulting number is the magnification factor.

For example, the AstroMaster 90EQ has a focal length of 1000 mm. Using the 20 mm eyepiece:

$$\text{Magnification} = \frac{\text{Focal length of Telescope}}{\text{Focal length of Eyepiece}} = \frac{1000 \text{ mm}}{20 \text{ mm}} = 50x$$

FIELD OF VIEW

Determining the field of view is important if you want to get an idea of the angular size of the object you are observing. To calculate the actual field of view, divide the apparent field of the eyepiece (supplied by the eyepiece manufacturer) by the magnification it gives you in the scope you are using.

Using the example in the previous section, we can determine the field of view using the same telescope and 20 mm eyepiece. The 20 mm eyepiece has an apparent field of view of 40°.

$$\text{Actual Field Of View} = \frac{\text{Apparent Field of View of Eyepiece}}{\text{Magnification}} = \frac{40^\circ}{50} = 0.8 \text{ degrees of arc}$$

The 20 mm eyepiece has an apparent field of view of 40°. Divide the 40° by the magnification, which is 50 power. This yields an actual field of view of 0.8 degrees or 48 minutes of arc.

THE PLANETS

In addition to the Moon, your telescope is capable of observing the 5 brightest planets. Since planets change their positions against the background stars, you will need to consult sources on the web or use a planetarium app on a smart device to help you locate where these are.

Here are some things to look for:

- **Mercury and Venus-** Just like the Moon, the two inner planets will go through phases ranging from thin crescents to gibbous phases.
- **Mars-** When it is near opposition (the point in its orbit where it is closest to Earth) you should be able to discern the polar cap and possibly some larger surface features that appear as dark markings on the surface.
- **Jupiter-** Look for the darker methane cloud bands that circle the planet just above and below the equator. If the Great Red Spot is facing the Earth, you may be able to catch a glimpse of it. You will also see the four brightest moons of Jupiter – Io, Europa, Ganymede, and Callisto. These moons are fun to watch because they can move appreciably over just a couple of hours. Occasionally they will travel behind Jupiter or into its shadow and disappear for periods of time. They can also cross the face of Jupiter and you may even see a shadow of the moon crossing with it. There are some useful apps for smart device that will help you predict when the Great Red Spot can be seen as well as when any interesting events are going to occur with Jupiter's moons.
- **Saturn-** The rings! Saturn is arguably one of the most beautiful objects to look at in a telescope. If seeing conditions are stable enough, you may even catch the shadow of the rings on the planet and the shadow of the planet on the rings. You should be able to see Titan, the brightest moon of Saturn.

DEEP-SKY OBJECTS

Deep-sky objects are all of those celestial objects that are outside of our solar system. They include star clusters, planetary nebulae, diffuse nebulae, double stars and other galaxies outside our own Milky Way. Objects such as nebulae and galaxies can be quite large, but they are also very faint. In order to get the best view, you will need to make sure you are in the darkest skies possible. The farther you are away from city lights, the better you will see these objects in the eyepiece. In photographs of nebulae and galaxies, you will see vivid reds and blues. These colors are not visible when you look through the eyepiece. The colorful images were very long exposure images taken over 15 – 60 minutes or more, where your eye only records data on an instant by instant basis. Digital sensors are much more sensitive to reds and blues than the human eye is which is most sensitive in the green part of the spectrum. Still, you will be able to see the soft glow of the Andromeda galaxy and the expanse of the Orion Nebula.

SKY CONDITIONS

Sky conditions can significantly affect the performance of your telescope in three ways.

- **Steadiness of the Air-** On windy days, images of the Moon and planets will appear to wave or jump around in the eyepiece; as if you are looking at them through moving water. Nights where winds are calm will offer the best higher magnification views of the planets and the Moon. The best way to judge the stability of the atmosphere is to look at bright stars with the naked eye. If they are “twinkling” or rapidly changing colors, the air is unstable and you are better off using lower powers and looking for deep sky objects. If the stars are sharp and not twinkling, the air is stable and should offer great high magnification planetary views.
- **Transparency-** How clear is the air you are looking through? If there is a high amount of humidity in the air, the faint light from galaxies and nebulae can be scattered and diffused before reaching your telescope, causing a loss of brightness in your image. Debris in the air from local forest fires or even distant volcanic eruptions can contribute to large loss of brightness. Sometimes this humidity or debris can help stabilize the air, making for good planetary and lunar images, but the loss of light would make it difficult to see fainter deep-sky objects.
- **Sky Brightness-** The amount of ambient light in the atmosphere can also effect deep-sky observing. How dark the sky is can depend on your local surroundings. In the middle of a city, sky-glow caused by city lights being reflected back to earth from the sky can overpower the faint light from distant galaxies. Getting away from the bright lights of a major city can make the difference between seeing a faint deep-sky object and missing it altogether. Planets and the moon are plenty bright enough on their own so the effect on observing them is minimal.

SELECTING AN OBSERVING SITE

If you are going to be observing deep-sky objects, such as galaxies and nebulae, you should consider traveling to a dark sky site that is reasonably accessible. It should be away from city lights, a relatively unobstructed view of the horizon, and upwind of any major source of air pollution. Always choose as high an elevation as possible as this can lower the effects of atmospheric instability and can ensure that you are above any ground fog. While it can be desirable to take your telescope to a dark sky site, it is not always necessary. If you plan to view the planets, the Moon or even some of the brighter deep-sky objects, you can do this from any location, such as your own backyard. Try to setup the scope in a location that is out of the direct path of streetlights or house lights to help protect your night vision. Try to avoid observing anything that lies within 5 to 10 degrees over the roof of a building. Rooftops absorb heat during the day and radiate this heat out at night. This can cause a layer of turbulent air directly over the building that can degrade your image. It is best if you set your telescope up directly on a dirt or grassy surface. Setting up on any raised platform such as a wooden deck or a hard surface like concrete or a sidewalk should be avoided as they transmit vibrations easily that can be transferred to the telescope.

Observing through a window is not recommended because the window glass will distort images considerably. And an open window can be even worse, because warmer indoor air will escape out the window, causing turbulence which also affects images. Astronomy is an outdoor activity.

CHOOSING THE BEST TIME TO OBSERVE

Try not to view immediately after sunset. After the sun goes down, the Earth is still cooling, causing air turbulence. As the night goes on, not only will seeing improve, but air pollution and ground lights will often diminish. Some of the best observing time is often in the early morning hours before dawn. Objects are best observed as they cross the meridian, the imaginary line that runs from north to south through a point directly over your head. This is the point at which objects reach their highest points in the sky and your telescope is looking through the least amount of atmosphere possible. Objects that are rising or setting near the horizon will suffer more atmospheric turbulence since you are looking through a much longer column of air. It is not always necessary to have cloud-free skies if you are looking at planets or the moon. Often broken cloud conditions provide excellent seeing.

COOLING THE TELESCOPE

Telescopes require at least 10 minutes to cool down to outside air temperature. This may take longer if there is a big difference between the temperature of the telescope and the outside air. This minimizes heat wave distortion inside the telescope tube (tube currents).

ADAPTING YOUR EYES

If you are planning to observe deep sky objects at a dark sky site, it is best if you allow your eyes to fully adapt to the dark by avoiding exposure to white light sources such as flashlights, car headlights, streetlights, etc. It will take your pupils about 30 minutes to expand to their maximum diameter and build up the levels of optical pigments to help your eyes see the faint light from a distant target. If you need light to help setup your telescope in the dark, try using a red LED flashlight at as low a brightness setting as possible and avoid looking straight at the light source. This will give you the best chance of capturing those faint deep sky objects.

When observing, it is important to observe with both eyes open. This avoids eye fatigue at the eyepiece. If you find this too distracting, cover the unused eye with your hand or an eye patch. The center of your eye works well in bright daylight, but is the least sensitive part of the eye when trying to see subtle detail at low light levels. When looking in the eyepiece for a faint target, don't look directly at it. Instead look toward the edge of the field of view and the object will appear brighter.

ASTROIMAGING

One of the first questions most people have about their new telescope is "How can I take images with it?". Your telescope is capable of imaging the Moon and planets, but deep-sky objects would require a more advanced telescope and mount with finely geared motorized tracking. There are a few different methods for using your telescope for imaging:

- **Smart Devices or Point-and-Shoot Cameras-** This is the easiest and most straight forward method and works well for images of the Moon and planets. Simply hold your device's camera up to the eyepiece and take the image. While you can use this with any eyepiece, it is generally easier to get an image using a lower power (longer focal length) eyepiece. You will need a steady hand to hold the phone to the eyepiece but you can get good results.
- **DSLR-** Celestron offers adapters that will allow you to attach a Canon or Nikon DSLR body to the telescope in place of the eyepiece. You would be effectively using your telescope as a telephoto lens. This will require a T-adapter for the telescope and a T-ring for the camera body. For more information on the adapters for your specific model of telescope, please go to www.celestron.com.
- **CMOS Planetary Imagers-** These are specialized cameras that replace the eyepiece in your telescope. It would connect to your laptop via a USB port. The camera records video of the planet, then the included software breaks up the video file into individual still frames. The software then combines the individual frames into a single image that contains more detail than was visible in any single frame. This method will provide you the best possible lunar and planetary images, but does require that you have a laptop at the scope. For more information on the planetary camera, please go to www.celestron.com.

DEEP-SKY OBSERVING EQUIPMENT

There are some tools that will be indispensable to you for identifying and locating deep-sky objects:

- **Red Flashlight-** This is an essential tool for deep-sky astronomy for reading finder charts or star atlases. In order to see the faint light coming from distant objects like nebulae or galaxies, your eyes must be fully dark adapted with your irises open to the fullest extent to let the most light from your telescope into them. White light from a standard flashlight will cause your eye's irises to close down and it can take up to a half-hour for your eyes to return to full dark adaptation. Red lights do not have the same effect. We recommend any red LED flashlight that has adjustable brightness output, because even red light, if excessively bright can affect your night vision. These are available through most telescope retailers but can also be found in camping and hardware stores.
- **Planisphere-** A planisphere is a special circular star map that will show you the rough placement of constellations over your head, so you can navigate your way across the sky. Unlike charts you can print online, planispheres are good for any time of year, not just the date or month you printed it for. The planisphere consists of two round disks joined at the center. The bottom disk has a map of the constellations while the top disk has a window cut into it out showing a portion of the sky map. By turning the inner and outer disks to match your specific date and time, the map will display only those constellations visible to you at that time. This is handy for finding rough locations of bright stars and constellations. Planispheres are available through book stores and are available for a number of geographical latitudes in the Northern or Southern Hemispheres. Be sure to pick one that is designed for your location. To get more detailed information on where deep-sky objects reside within constellations you will need a Star Atlas.
- **Star Atlas-** Star atlases are the roadmaps of the sky. Once you have located a constellation with your planisphere, the Star Atlas will show you a detailed, close-up view of that region of sky showing the stars and deep-sky objects that reside in it. These are available through many telescope retailers or bookstores.
- **Apps and Programs-** There are many applications available for a smartphone or tablet that can take the place of the planisphere and star maps. These will give digital representations of the night sky on your device, allowing you to go from a wide view to a zoomed-in view with a touch of the screen. These can be downloaded or purchased from your application store, depending on your platform. There are also some great astronomical sky simulation programs available for your computer that will show you very detailed star maps on screen and can help you plan an observing session before you get outside with printable star maps customized for your date, location and time.

STAR HOPPING

The easiest way to find your way around the sky is by a technique called star hopping. The first thing you will need to do is measure the field of view of your finderscope. Look in the sky and locate a constellation with bright stars. You can use your planisphere or astronomy app to help identify it. Now find the map in your star atlas that shows this constellation. Center your finderscope on any bright star that you can recognize on the star map. Hold your head 12 inches behind the reflective window of your StarPointer finderscope and move the telescope so that the bright star is at the edge of the field of view of the window (it does not matter which direction you pick). Without moving the telescope, look through the finderscope window and locate another star near the opposite edge of the field of view. Locate this second star on the chart. Measure the distance between these two stars on the chart using a ruler. This distance represents one finderscope field of view on your atlas. You can now use this measurement to locate celestial objects.

CARE AND CLEANING OF THE TELESCOPE

While your telescope requires little maintenance, there are a few things to remember that will ensure your telescope performs at its best. Occasionally, dust and/or moisture may build up on the objective lens. Special care should be taken when cleaning any instrument so as not to damage the optics.

If dust has built up on the optics, follow these steps, in order, to clean your scope:

1. Use a camel hair brush to gently remove the larger particles.
2. Use a photographer's squeeze bulb to blow away any loose debris. You can also use a can of compressed air, such as those sold for cleaning computer keyboards, but you need to be careful. Avoid using cans that are almost empty and be sure to hold the air can vertically. Failure to do this can result in the can spitting propellant out onto the optics. Hold the optical surface at an angle to the spray from the can for approximately two to four seconds.
3. Use an optical cleaning solution of over-the-counter isopropyl alcohol and distilled water in a 50/50 mixture. Apply this solution to a white unscented tissue, then apply the tissue paper to the optics. Low pressure strokes should go from the center of the lens (or mirror) to the outer portion in straight lines like spokes on a wheel. **Do not rub in circles!**

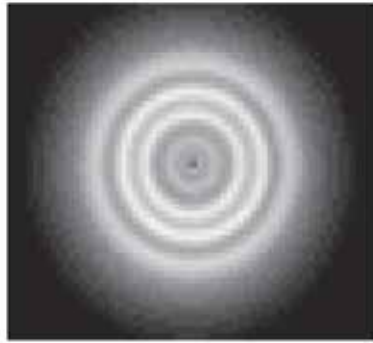
You may experience dew build-up on the optics of your telescope during an observing session. If you want to continue observing, the dew must be removed, either with a hair dryer (on low setting) or by pointing the telescope at the ground until the dew has evaporated. If moisture condenses on the inside of the optics, remove the accessories from the telescope. Place the telescope in a dust-free environment and point it downward until the moisture evaporates.

To minimize the need to clean your telescope, replace all lens covers once you have finished using it. Since the telescope tubes are not sealed, the covers should be placed over the openings when not in use. This will prevent contaminants from entering the tubes.

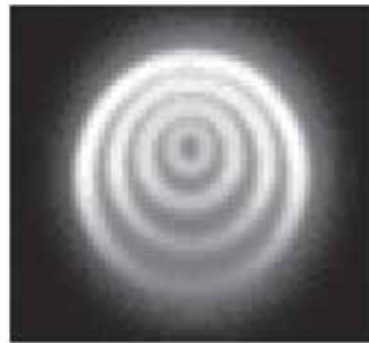
Internal adjustments and cleaning should be done only by the Celestron repair department. If your telescope is in need of internal cleaning, please call the factory for a return authorization number and price quote.

COLLIMATION OF A NEWTONIAN TELESCOPE

While your telescope requires little maintenance, there are a few things to remember that will ensure your telescope performs at its best. Collimation is the process of aligning the mirrors of your telescope so that they work in concert with each other to deliver properly focused light to your eyepiece. By observing out-of-focus star images, you can test whether your telescope's optics are aligned. Place a star in the center of the field of view and move the focuser so that the image is slightly out of focus. If the seeing conditions are good, you will see a central circle of light (the Airy disc) surrounded by a number of diffraction rings. If the rings are symmetrical about the Airy disc, the telescope's optics are correctly collimated.



Correctly Aligned

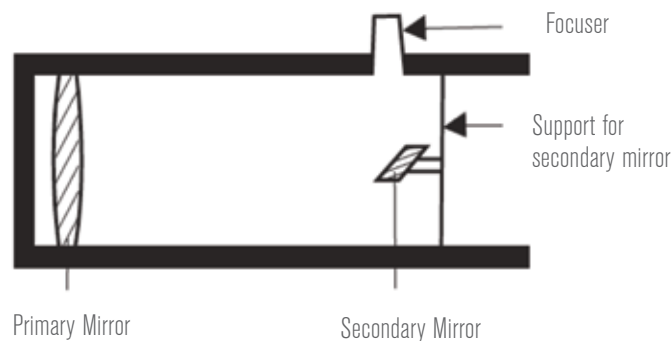


Needs Collimation

Collimation is a painless process and works like this:

Pull off the lens cap which covers the front of the telescope and look down the optical tube. At the bottom you will see the primary mirror held in place by three clips 120° apart, and at the top the small oval secondary mirror held in a support and tilted 45° toward the focuser outside the tube wall.

The secondary mirror is aligned by adjusting the three smaller screws surrounding the central bolt. The primary mirror is adjusted by the three adjusting screws at the back of your scope. The three locking screws beside them serve to hold the mirror in place after collimation.



ALIGNING THE SECONDARY MIRROR

Point the telescope at a lit wall look into the focuser without the eyepiece installed. You may have to twist the focus knob a few turns until the reflected image of the focuser is out of your view. Keep your eye against the back of and centered in the focus tube. Look for the three clips holding the primary mirror in place. If you can't see them, it means that you will have to adjust the three bolts on the top of the secondary mirror holder, with possibly an Allen wrench or Phillip's screwdriver. You will have to alternately loosen one and then compensate for the slack by tightening the other two. Stop when you see all three mirror clips. Make sure that all three small alignment screws are tightened to secure the secondary mirror in place.



ALIGNING THE PRIMARY MIRROR

There are 3 large bolts and 3 small screws at the back of your telescope. The large bolts are the adjusting screws and the small screws are the locking screws. Loosen the large bolts by a few turns. Now run your hand around the front of your telescope keeping your eye to the focuser, you will see the reflected image of your hand. The idea here being to see which way the primary mirror is deflected, you do this by stopping at the point where the reflected image of the secondary mirror is closest to the primary mirrors' edge.

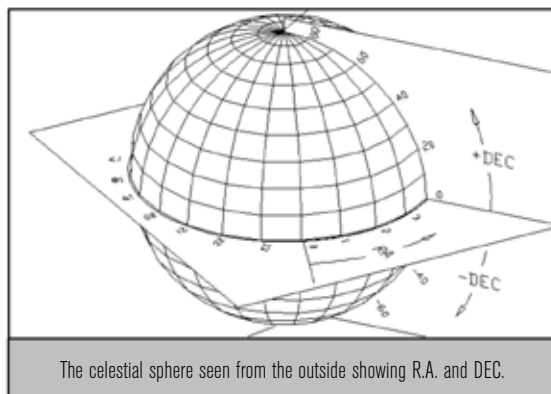
When you get to that point, stop and keep your hand there while looking at the back end of your telescope, is there an adjusting screw there? If there is you will want to loosen it (turn the screw to the left) to bring the mirror away from that point. If there isn't an adjusting screw there, then go across to the other side and tighten the adjusting screw on the other side. This will gradually bring the mirror into alignment. (It helps to have a friend to help for primary mirror collimation. Have your partner adjust the adjusting screws according to your directions while you look in the focuser).

After dark, go out and point your telescope at Polaris, the North Star. With an eyepiece in the focuser, take the image out of focus. You will see the same image only now, it will be illuminated by starlight. If necessary, repeat the collimating process only keep the star centered while tweaking the mirror.



A WORD ON SETTING CIRCLES

The celestial coordinate system is much like the latitude and longitude system that we use to map the Earth. Just like cities on a map have specific longitude and latitude coordinates, stars and deep-sky objects all have Right Ascension (RA) and Declination (DEC) coordinates on the Celestial Sphere. Your telescopes comes with two setting circles, one on the RA axis and one on the DEC axis. The setting circles are 3-inch diameter disks with graduated markings on them that can help you locate objects in the night sky by their celestial coordinates.



The Declination axis of the Celestial Sphere are broken down into degrees, minutes and seconds of arc. At the Celestial equator, the Dec coordinate is 0 degrees, with +90 degrees being the North Celestial Pole and -90 degrees being the South Celestial Pole. The Dec coordinate tells you how far north or south to go to find your target.

Before you can use the setting circles to find objects in the sky you need to align the setting circles first. When you polar align the mount, you are actually aligning the DEC setting circle as well, so there is nothing more required for this one. The RA setting circle requires some additional information.

On the RA setting circle there are two sets of numbers on the dial – one for the northern hemisphere (bottom) and one for the southern hemisphere (top). In order to align the RA setting circle, you will need to be able to identify some of the brighter stars in the sky. You can use a star atlas or astronomy app to help you with this.

To align the RA setting circle:

1. Locate a bright star near the celestial equator. The farther you are from the celestial pole the better your reading on the RA setting circle will be.
2. Use your star atlas or you astronomy app to lookup the coordinates of the star you selected.
3. Center the star in the telescope's eyepiece.
4. Without moving the telescope, rotate the RA setting circle until the RA indicator points at the RA coordinate of the star you selected.

NOTE: The RA setting circle does **NOT** move as the telescope moves in RA, the setting circle must be aligned each time you want to use it to find an object. However, you do not need to use a star each time. Instead, you can use the coordinates of the object you are currently observing.

Once the circles are aligned you can use them to find any object with known coordinates. The accuracy of your setting circles is directly related to the accuracy of your polar alignment.

To find objects using the setting circles:

- 1.** Select an object to observe. Use a planisphere, star atlas, or astronomy app or program to make sure the object you chose is above the horizon. As you become more familiar with the night sky, this will no longer be necessary.
- 2.** Look up the coordinates of your target.
- 3.** Hold the telescope and release the DEC lock knob.
- 4.** Move the telescope in declination until the indicator is pointing at the correct declination coordinate.
- 5.** Lock the DEC lock knob to prevent the telescope from moving.
- 6.** Hold the telescope and release the RA lock knob.
- 7.** Move the telescope in RA until the indicator points to the correct coordinate.
- 8.** Lock the RA lock knob to prevent the telescope from slipping in RA.

Due to errors in polar alignment and the accuracy of the setting circles on this equatorial mount, it is unlikely that you will see the object in your telescope's eyepiece. You will need to use the slow motion controls and perform a slow circular search until the object falls into the field of view.

Please note that the use of setting circles is more complicated than the simple method described in the "Star Hopping" section above. It is recommended to start with Star Hopping, but with a little patience and some practice, setting circles can be a viable way to locate objects in the night sky. Try practicing on bright stars or even planets as they are relatively easy to see in your finderscope until you get the hang of it.

NOTES

NOTES

CELESTRON TWO YEAR LIMITED WARRANTY

A. Celestron warrants your telescope to be free from defects in materials and workmanship for two years. Celestron will repair or replace such product or part thereof which, upon inspection by Celestron, is found to be defective in materials or workmanship. As a condition to the obligation of Celestron to repair or replace such product, the product must be returned to Celestron together with proof-of-purchase satisfactory to Celestron.

B. The Proper Return Authorization Number must be obtained from Celestron in advance of return. Call Celestron at (310) 328-9560 to receive the number to be displayed on the outside of your shipping container.

All returns must be accompanied by a written statement setting forth the name, address, and daytime telephone number of the owner, together with a brief description of any claimed defects. Parts or product for which replacement is made shall become the property of Celestron.

The customer shall be responsible for all costs of transportation and insurance, both to and from the factory of Celestron, and shall be required to prepay such costs.

Celestron shall use reasonable efforts to repair or replace any telescope covered by this warranty within thirty days of receipt. In the event repair or replacement shall require more than thirty days, Celestron shall notify the customer accordingly. Celestron reserves the right to replace any product which has been discontinued from its product line with a new product of comparable value and function.

This warranty shall be void and of no force or effect in the event a covered product has been modified in design or function, or subjected to abuse, misuse, mishandling or unauthorized repair. Further, product malfunction or deterioration due to normal wear is not covered by this warranty.

CELESTRON DISCLAIMS ANY WARRANTIES, EXPRESS OR IMPLIED, WHETHER OF MERCHANTABILITY OF FITNESS FOR A PARTICULAR USE, EXCEPT AS EXPRESSLY SET FORTH HEREIN. THE SOLE OBLIGATION OF CELESTRON UNDER THIS LIMITED WARRANTY SHALL BE TO REPAIR OR REPLACE THE COVERED PRODUCT, IN ACCORDANCE WITH THE TERMS SET FORTH HEREIN. CELESTRON EXPRESSLY DISCLAIMS ANY LOST PROFITS, GENERAL, SPECIAL, INDIRECT OR CONSEQUENTIAL DAMAGES WHICH MAY RESULT FROM BREACH OF ANY WARRANTY, OR ARISING OUT OF THE USE OR INABILITY TO USE ANY CELESTRON PRODUCT. ANY WARRANTIES WHICH ARE IMPLIED AND WHICH CANNOT BE DISCLAIMED SHALL BE LIMITED IN DURATION TO A TERM OF TWO YEARS FROM THE DATE OF ORIGINAL RETAIL PURCHASE.

Some states do not allow the exclusion or limitation of incidental or consequential damages or limitation on how long an implied warranty lasts, so the above limitations and exclusions may not apply to you.

This warranty gives you specific legal rights, and you may also have other rights which vary from state to state.

Celestron reserves the right to modify or discontinue, without prior notice to you, any model or style telescope.

If warranty problems arise, or if you need assistance in using your telescope contact: Celestron - 800.421.9649

NOTE: This warranty is valid to U.S.A. and Canadian customers who have purchased this product from an authorized Celestron dealer in the U.S.A. or Canada. Warranty outside the U.S.A. and Canada is valid only to customers who purchased from a Celestron's International Distributor or Authorized Celestron Dealer in the specific country. Please contact them for any warranty service.

FCC NOTE: This device complies with Part 15 of the FCC Rules. Operation is subject to the following two conditions: (1) This device may not cause harmful interference, and (2) this device must accept any interference received, including interference that may cause undesired operation.

Product design and specifications are subject to change without prior notification.
This product is designed and intended for use by those 14 years of age and older.



© 2017 Celestron • All rights reserved
www.celestron.com
2835 Columbia Street • Torrance, CA 90503 U.S.A.
Telephone: 800.421.9649

01-17
Printed in China

 **CELESTRON**[®]

ASTROMASTER[®]

TÉLESCOPE EQ

FRANÇAIS



MODE D'EMPLOI

Modèles #21062, 21064, 31035, 31042, 31045, 31051
(70EQ, 90EQ, 76EQ, 114EQ, 130EQ, 130EQ-MD)



SOMMAIRE

AVERTISSEMENT SUR LE SOLEIL	5
CONTENU DE LA BOÎTE	6
ASSEMBLAGE DE VOTRE TÉLESCOPE	7
Le trépied et la monture équatoriale	7
Barre de contrepoids et contrepoids	8
Contrôles de mouvement lent.	8
Le tube du télescope	9
La diagonale coudée (Télescopes réfracteurs seulement).	9
L'oculaire.	10
Le chercheur StarPointer	10
Changer la pile du chercheur	11
Orienter le télescope	11
Alignement du chercheur	12
Équilibrer du télescope	12
ALIGNEMENT POLAIRE	14
VOTRE PREMIÈRE SESSION D'OBSERVATION ASTRONOMIQUE	16
La Lune	16
OBSERVATION DU CIEL CONSEILS	16
Agrandissement	16
Champ de vision.	16
Les planètes	17
Objets du ciel profond	17
Conditions d'observation	18
Sélection d'un site d'observation	18
Choisir le meilleur moment pour l'observation	18
Refroidir le télescope	19
Adapter vos yeux	19
Astrophotographie.	19
Équipement d'observation des objets du ciel profond	20
Sauts entre les étoiles.	20
ENTRETIEN ET NETTOYAGE DU TÉLESCOPE	21
COLLIMATION D'UN TÉLESCOPE NEWTONIEN	22
Aligner le miroir secondaire	23
Aligner le miroir primaire.	23
Un mot sur les cercles de réglage	24
NOTES	26
GARANTIE LIMITÉE CELESTRON DE 2 ANS	28

AVERTISSEMENT SUR LE SOLEIL

- Ne regardez jamais directement le Soleil à l'œil nu ou avec un télescope, à moins d'utiliser un filtre adapté. Cela pourrait entraîner des lésions oculaires permanentes et irréversibles.
- N'utilisez jamais votre télescope pour projeter une image du soleil sur une surface quelconque. Une concentration de chaleur dangereuse peut être générée à l'intérieur et endommager le télescope et les accessoires attachés.
- Ne jamais utiliser un filtre solaire d'oculaire ou une cale de Herschel. La concentration de chaleur au sein du télescope peut entraîner des dommages à ces dispositifs, laissant la lumière du Soleil non filtrée arriver directement à vos yeux.
- Ne laissez pas le télescope sans surveillance, particulièrement en présence d'enfants ou d'adultes qui ne sont pas familiarisés avec son utilisation.

CONTENU DE LA BOÎTE

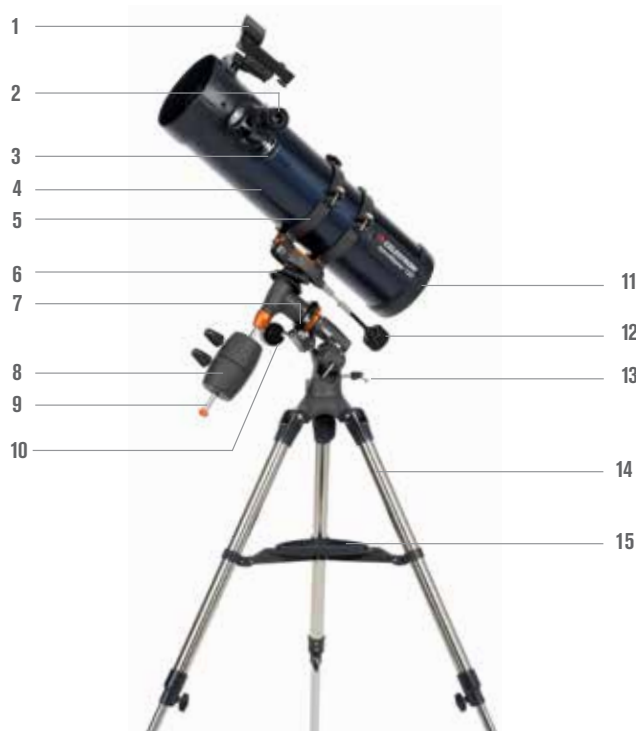
Nous vous recommandons de conserver la boîte de votre télescope afin de pouvoir l'utiliser pour son rangement lorsqu'il n'est pas utilisé. Déballez le contenu de la boîte avec soin, car certaines pièces sont petites. Utilisez la liste des pièces ci-dessous pour vous assurer que toutes les pièces et tous les accessoires sont inclus dans la boîte.

LISTE DES PIÈCES



(Réfracteur 90 mm illustré)

1. Lentille de l'objectif
2. Tube de télescope
3. Cercle de réglage DEC
4. Cercle de réglage AD
5. Molette de mouvement AD lent
6. Contrepoids
7. Barre de contrepoids
8. Trépied
9. Plateau à accessoires
10. Support à queue d'aronde
11. Chercheur StarPointer
12. Oculaire
13. Diagonale coudée
14. Bouton de mise au point
15. Les molettes de mouvement DEC lent
16. Monture Équatoriale
17. Vis de réglage de latitude



(Réfracteur Newtonien 130 mm illustré)

1. Lunette de recherche StarPointer
2. Oculaire
3. Molette de mise au point
4. Tube de télescope
5. Anneaux de tube
6. Cercle de réglage DEC
7. Cercle de réglage AD
8. Contrepoids
9. Barre de contrepoids
10. Molette de mouvement AD lent
11. Miroir primaire
12. Les molettes de mouvement DEC lent
13. Vis de réglage de latitude
14. Trépied
15. Plateau à accessoires

ASSEMBLAGE DE VOTRE TÉLESCOPE

LE TRÉPIED ET LA MONTURE ÉQUATORIALE

Ce chapitre explique comment assembler votre télescope AstroMaster EQ. Il est recommandé d'assembler votre télescope en intérieur la première fois afin de pouvoir identifier facilement les différentes pièces et de vous familiariser avec la bonne procédure de montage avant de l'utiliser en extérieur.

Pour assembler le trépied :

1. Sortez le trépied et la monture de la boîte.
2. Desserrez les molettes au bas de chaque pied et étendez la partie intérieure du pied à la longueur souhaitée. Serrez les molettes pour fixer les pieds, en veillant à ne pas trop les serrer.
3. Mettez le trépied en position verticale et écartez l'un de l'autre ses pieds jusqu'à ce qu'un déclic confirme que l'entretoise centrale soit bien en place.
4. Positionnez le plateau à accessoires sur le trou à détrompeur situé au centre de l'entretoise. Faites pivoter le plateau jusqu'à ce que les trois onglets de ce dernier s'enclenchent dans les ouvertures de chaque bras de l'entretoise centrale.



La monture équatoriale permet d'incliner l'axe de rotation du télescope de manière à ce que vous puissiez suivre le déplacement des étoiles dans le ciel.

1. Sortez le trépied et la monture de la boîte.
2. Positionnez la bosse de la base de la monture équatoriale dans la dépression présente sur le dessus de la tête du trépied.
3. Utilisez la grande molette sous la tête du trépied pour fixer la monture sur le trépied. Serrez jusqu'à ce que les pièces soient bien serrées, mais pas en excès.
4. Vissez la vis de réglage de latitude dans le pas de vis présent à l'arrière de la monture. Vissez-la légèrement pour le moment, car vous l'utiliserez pour effectuer des réglages plus tard.



BARRE DE CONTREPOIDS ET CONTREPOIDS

Pour équilibrer correctement le tube de votre télescope, la monture est livrée avec une barre de contrepoids et des contrepoids.

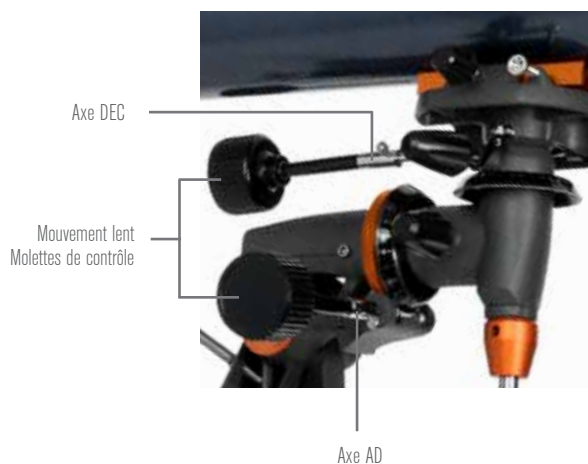
1. Retirez la barre de contrepoids dans la boîte et vissez-la dans le pas de vis présent sur le dessous de l'axe de déclinaison de la monture.
2. Retirez la vis de sécurité orange du contrepoids située à l'extrémité basse de la barre de contrepoids.
3. Desserrez la grande molette noire située sur le côté du contrepoids. Assurez-vous que le contrepoids n'est pas obstrué.
4. Faites glisser le contrepoids jusqu'à environ la moitié de la barre de contrepoids et serrez la molette de verrouillage pour maintenir le contrepoids en place. Si votre télescope est livré avec plus d'un contrepoids, ajoutez le second de la même manière que le premier.
5. Remettez en place la vis de sécurité orange du contrepoids située à l'extrémité basse de la barre de contrepoids. Cela évitera que le contrepoids ne tombe de la barre s'il se desserre par accident.



CONTRÔLES DE MOUVEMENT LENT

La monture AstroMaster est équipée de deux molettes de contrôle de mouvement lent qui vous permettent d'effectuer des réglages de pointage fins sur les axes d'Ascension Droite et de Déclinaison, également appelés AD et DEC. Pour installer les molettes :

1. Sortez les deux molettes de la boîte. Les deux molettes sont identiques, il n'est donc pas important quelle molette vous utilisez sur chaque axe.
2. Desserrez la vis de réglage située à l'extrémité des deux molettes.
3. Glissez-la dans l'extrémité de l'axe des engrenages AD, aussi loin que possible puis serrez la vis de réglage pour la fixer en place. La molette AD peut être installée sur le côté gauche ou le côté droit de la monture, selon vos préférences.
4. Faites glisser l'autre molette dans l'axe des engrenages DEC puis serrez la vis de réglage pour la fixer en place.



LE TUBE DU TÉLESCOPE

Le tube du télescope s'attache à la monture équatoriale à l'aide d'un système de retrait rapide en queue d'aronde. Sur tous les télescopes réfracteurs newtoniens de 76 mm, la queue d'aronde est fixée directement au tube du télescope. Dans le cas des télescopes newtoniens de 114 mm et de 130 mm, la queue d'aronde est fixée aux anneaux de tube qui maintiennent le tube.

1. Desserrez les deux molettes de fixation présentes sur les côtés du support en queue d'aronde sur le dessus de la monture équatoriale. Assurez-vous qu'elles soient assez desserrées pour permettre à la barre de queue d'aronde de glisser dans le support.
2. Faites glisser la barre de queue d'aronde dans le support de monture, en vous assurant que la queue d'aronde soit complètement insérée.
3. Resserrez chaque molette pour fixer le télescope en position.



LA DIAGONALE COUDÉE (télescopes réfracteurs seulement)

La diagonale coudée fixée à l'arrière d'un télescope réfracteur contient un petit prisme qui réfléchit la lumière à un angle de 90°, permettant ainsi d'adopter une position plus confortable pour l'observation. La majorité des télescopes astronomiques relayent une image soit inversée verticalement ou horizontalement. La diagonale coudée corrige cela de manière à ce que l'image soit à 100% correctement orientée, faisant de votre télescope un outil parfait pour l'observation terrestre de jour.

Pour insérer la diagonale dans les réfracteurs AstroMaster 70EQ et 90EQ :

1. Retirez les capuchons des deux extrémités de la diagonale en étoile.
2. Desserrez les vis de réglage à l'arrière de le foyer et retirez le petit capuchon antipoussière.
3. Insérez le plus petit tube du renvoi coudé à l'arrière du foyer et fixez-le en serrant les vis de réglage. Vous pouvez modifier l'orientation de la diagonale en étoile comme désiré avant de serrer les vis.



NOTE : Une diagonale en étoile ne permet pas d'obtenir la mise au point avec un télescope newtonien. L'image apparaîtra toujours inversée verticalement. Les télescopes newtoniens sont livrés avec un oculaire coudé de 20 mm spécial qui comporte un prisme de renvoi pour l'observation terrestre.

L'OCULAIRE

Votre télescope est livré avec deux oculaires. L'oculaire de 20 mm offre un faible agrandissement avec un champ de vision modérément large. L'oculaire de 10 mm offre un agrandissement plus puissant, mais avec un champ de vision plus étroit. D'autres oculaires peuvent être achetés pour augmenter ou diminuer le grossissement à votre gré. Lorsque vous localisez un objet pour la première fois, il est conseillé d'utiliser l'oculaire de 20 mm, et une fois qu'il est centré, de changer avec l'oculaire de 10 mm pour « agrandir » l'image.

Pour insérer l'oculaire dans les réfracteurs AstroMaster 70EQ et 90EQ :

1. Desserrez les vis de réglage situées à l'extrémité ouverte de la diagonale en étoile.
2. Insérez le barillet argenté de l'oculaire 20 mm dans la diagonale en étoile.
3. Serrez les vis de réglage pour fixer solidement l'oculaire.
4. Pour obtenir l'image la plus nette qui soit, effectuez la mise au point en regardant dans l'oculaire et en tournant lentement les molettes de mise au point jusqu'à ce que vous obteniez l'image la plus nette.



Pour insérer l'oculaire dans les réfracteurs AstroMaster 76EQ, 114EQ et 130EQ :

1. Desserrez les vis réglage à l'arrière de le foyer et retirez le petit capuchon antipoussière.
2. Insérez le barillet argenté de l'oculaire 20 mm directement dans le foyer.
3. Serrez les vis de réglage pour fixer bien en place l'oculaire.
4. Pour obtenir l'image la plus nette qui soit, effectuez la mise au point en regardant dans l'oculaire et en tournant lentement les molettes de mise au point jusqu'à ce que vous obteniez l'image la plus nette.

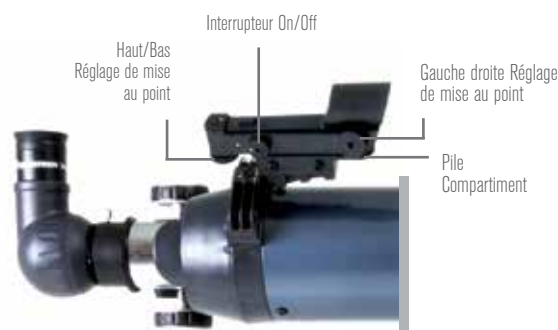


LE CHERCHEUR STARPOINTER

Votre télescope est livré avec un chercheur à point rouge StarPointer que vous utiliserez comme outil de visée lorsque vous pointerez le télescope en direction d'une cible.

Pour installer le chercheur :

1. Desserrez les deux vis cruciformes sur le côté du chercheur et faites glisser la pince sur le support en queue d'aronde situé près du foyer. La grande fenêtre du chercheur doit être orientée vers l'avant du télescope.
2. Fixez le chercheur en place en serrant les deux vis cruciformes. Ne pas serrer trop fort. Veillez simplement à ce qu'il n'y ait plus de jeu.
3. Retirez la petite languette de plastique située sous le capot de la pile en tirant dessus. Cette languette est présente pour éviter que la pile ne se décharge pendant la livraison du produit.



CHANGER LA PILE DU CHERCHEUR

Pour remplacer la pile du StarPointer, retirez le chercheur du télescope et retournez-le. Le compartiment de la pile est situé directement en dessous du grand ensemble de lentille. À l'aide d'un petit tournevis ou de votre ongle, soulevez doucement le capot pour le retirer. La pile est maintenue en place par un ressort. Soulevez doucement le contact et tournez le chercheur sur le côté. La pile sort aisément de son logement. Remplacez la pile par une pile-bouton CR2032 de 3V. Faites glisser la pile sous le contact, en vous assurant que le terminal positif de la pile (le côté marqué d'un « + ») est tourné vers le haut, vers le ressort. La pile doit s'enclencher dans le logement. Remettez le capot en place en faisant correspondre les onglets avec les trous sous le chercheur et en pressant. Assurez-vous de mettre l'ancienne pile au rebut dans le respect de l'environnement.



ORIENTER LE TÉLESCOPE

La monture équatoriale AstroMaster a été conçue pour permettre le mouvement dans deux directions sur le système de coordonnées célestes. L'axe d'Ascension Droite, ou AD, pivote sur un axe est/ouest. L'axe de Déclinaison, ou DEC, pivote sur un axe nord/sud. En déplaçant le télescope sur les axes AD et DEC, vous pourrez pointer le télescope sur n'importe quelle cible dans le ciel.

Pour orienter le télescope sur de longues distances :

1. Desserrez les molettes de frein AD et DEC situées sur le côté de la monture en les faisant tourner dans le sens anti-horaire. Cela permettra au télescope d'être orienté librement dans toutes les directions.
2. Orientez le télescope à la main sur les axes AD et DEC jusqu'à ce que vous soyez presque sur la position désirée.
3. Serrez les deux molettes de frein dans le sens horaire pour que la monture ne puisse plus bouger.

Pour effectuer des réglages fins :

1. Assurez-vous que chaque frein est serré.
2. Faites tourner les molettes de mouvement lent AD et DEC comme requis pour centrer un objet dans la vue de l'oculaire.

NOTE : Si les freins sont desserrés, les molettes de mouvement lent ne fonctionneront pas.



ALIGNEMENT DU CHERCHEUR

Le chercheur StarPointer est un viseur de type réflexe qui utilise une DEL rouge pour projeter un point rouge sur la fenêtre de verre ronde. Lorsque vous regardez dans la fenêtre, le point rouge se superpose à la cible. La première fois que vous assemblez votre télescope, vous devrez aligner le chercheur avec l'élément optique principal du télescope. Bien que cette étape puisse être effectuée de nuit, il est beaucoup plus facile de l'effectuer en journée. Une fois que vous avez terminé l'alignement du chercheur, vous ne devriez pas avoir à répéter cette étape à moins que le chercheur ait été déplacé ou retiré.

Pour installer votre chercheur StarPointer :

1. Installez le télescope à l'extérieur pendant la journée. À l'œil nu, trouvez un objet facilement reconnaissable, comme un lampadaire, une plaque d'immatriculation de voiture ou un grand arbre. L'objet doit être le plus loin possible, de préférence à au moins 400 m (un quart de mille).
2. Retirez la housse de protection principale du télescope et assurez-vous que votre oculaire 20 mm a été installé.
3. Orientez le télescope horizontalement et verticalement afin qu'il pointe à approximativement vers l'objet que vous avez choisi à l'étape 1.
4. Regardez à travers l'oculaire du télescope et déplacez manuellement le télescope jusqu'à ce que l'objet que vous avez choisi se trouve dans le centre de vision. Si l'image est floue, tournez tout doucement les molettes de mise au point jusqu'à ce que l'image soit nette.
5. Une fois que l'objet est centré dans votre oculaire 20 mm, allumez le chercheur en tournant jusqu'à la fin de sa course la molette de réglage d'intensité lumineuse/d'alimentation. Cette molette est située au bas de l'appareil.
6. Avec votre tête située à environ 30 cm (1 pied) derrière le chercheur, regardez par la fenêtre ronde du chercheur et localisez le point rouge. Il sera probablement près de, mais pas exactement sur l'objet que vous voyez lorsque vous regardez à travers l'oculaire de 20 mm.
7. Sans déplacer le télescope, utilisez les deux molettes de réglage situées sur le côté et en dessous du chercheur. L'une contrôle le mouvement gauche-droite du réticule, tandis que l'autre contrôle le mouvement haut-bas. Ajustez les deux molettes jusqu'à ce que le point rouge apparaisse sur l'objet que vous observez dans l'oculaire de 20 mm.

Choisissez maintenant quelques autres cibles lointaines pour vous exercer à pointer votre télescope. Regardez par la fenêtre du chercheur StarPointer et placez le point rouge sur la cible que vous essayez de visualiser et vérifiez qu'elle est visible dans l'oculaire de 20 mm du télescope.

NOTE : N'oubliez pas d'éteindre le chercheur lorsqu'il n'est pas utilisé afin d'économiser les piles.

ÉQUILIBRER DU TÉLESCOPE

Pour limiter les tensions non nécessaires subies par la monture, le télescope doit être correctement équilibré autour de l'axe polaire.

Pour équilibrer la monture sur l'axe AD :

1. Vérifiez que le télescope est correctement attaché à la monture, les molettes de la queue d'aronde serrées.
2. Desserrez la molette de frein AD pour que le télescope puisse être orienté librement sur l'axe AD.
3. Faites pivoter le télescope sur l'axe AD jusqu'à ce que le tube du télescope soit sur le côté de la monture et que la barre de contrepoids soit parallèle au sol.
4. Lâchez doucement le télescope et notez quel côté est le plus lourd, celui du télescope ou celui du contrepoids.
5. Si le côté du contrepoids est plus lourd, desserrez la molette de verrouillage de ce dernier et faites-le glisser vers le haut de la barre (vers le tube) sur une courte distance. Serrez la molette et réessayez le test d'équilibre.
6. Si le côté du tube est plus lourd, desserrez la molette de verrouillage de ce dernier et faites-le glisser vers le bas de la barre (en l'éloignant du tube) sur une courte distance. Serrez la molette et répétez le test d'équilibre.
7. Continuez à effectuer la correction jusqu'à ce que le télescope ne penche plus d'un côté plus que de l'autre lorsque vous le lâchez.

Pour équilibrer le télescope sur l'axe DEC :

1. Positionnez le télescope de la même manière que celle décrite pour le test d'équilibre AD ci-dessus, le tube du télescope d'un côté de la monture et la barre de contrepoids de l'autre côté. Serrez la molette de frein AD pour maintenir la monture en place.
2. En tenant le télescope fermement d'une main, desserrez la molette de frein DEC et faites pivoter le télescope de manière à ce qu'il soit parallèle au sol.
3. Lâchez doucement le tube du télescope et notez si le télescope commence à pivoter vers le haut ou le bas puis verrouillez la molette de frein DEC pour fixer le tube en place.
4. Si le nez du télescope pointe vers le haut, le tube est plus lourd sur sa section arrière et le point d'équilibre doit donc être ajusté. Desserrez les vis de monture de la queue d'aronde et faites-la glisser vers l'avant sur une courte distance. Serrez les deux vis de monture et répétez le test.
5. Si le nez du télescope pointe vers le bas, le tube est plus lourd sur sa section avant et le point d'équilibre doit donc être ajusté. Desserrez les vis de monture de la queue d'aronde et faites-la glisser vers l'arrière sur une courte distance. Serrez les deux vis de monture et répétez le test.
6. Continuez à effectuer la correction jusqu'à ce que le télescope ne pivote plus d'un côté plus que de l'autre lorsque vous le lâchez.

NOTE : Dans le cas des télescope newtoniens de 114 mm et de 130 mm, vous pouvez effectuer l'équilibrage sans déplacer la barre de queue d'aronde. Desserrez simplement les vis argentées situées sur les anneaux entourant le tube du télescope. Vous pouvez ensuite faire glisser le tube vers l'avant ou l'arrière dans les anneaux. Lorsque le point d'équilibre est atteint, serrez les vis argentées de nouveau. Vous pouvez également faire pivoter le tube dans les anneaux en utilisant la même méthode pour améliorer votre confort d'observation en changeant l'angle de l'oculaire.



Axe AD



Axe DEC

ALIGNEMENT POLAIRE

Votre monture équatoriale a la capacité de suivre aisément les cibles célestes en faisant tourner le molette de mouvement AD lent ou en utilisant l'entraînement moteur en option. Pour garantir que la monture fasse cela avec précision, cette dernière devra être « alignée sur l'axe polaire », ou configuré de manière à ce que l'axe de rotation AD effectue son mouvement parallèlement à l'axe de rotation de la Terre. Cela semble plus compliqué à effectuer que ça ne l'est en réalité, et après l'avoir fait quelques fois, l'opération deviendra simple comme bonjour. La première étape pour effectuer l'alignement sur l'axe polaire est de configurer la latitude utilisée en corrélation avec votre site d'observation.

Pour définir la latitude de votre monture :

1. Ajustez la hauteur de chacun des trois pieds du trépied. Un ajustement grossier est suffisant.
2. Déterminez votre latitude sur la Terre. Si vous disposez d'un appareil équipé d'une fonction GPS, comme une tablette ou un téléphone intelligent, vous pourrez lire la latitude directement depuis celui-ci. Sinon, vous pourrez trouver cette information en ligne.
3. Repérez la graduation de latitude, présente sur le côté de la monture équatoriale, près de sa base.
4. Utilisez la poignée coulissante pour desserrer la molette de verrouillage du réglage de la latitude en la faisant tourner dans le sens anti-horaire.
5. Ajustez la vis de réglage de latitude située sur l'arrière de la monture en la faisant pivoter dans le sens horaire et anti-horaire jusqu'à ce que le pointeur situé au-dessus des graduations pointe sur votre latitude sur la Terre.

Exemple : À Los Angeles, en Californie, votre latitude est de 33 degrés.

6. Une fois votre latitude correctement définie, resserrez la molette de réglage de la latitude en la faisant pivoter dans le sens horaire.

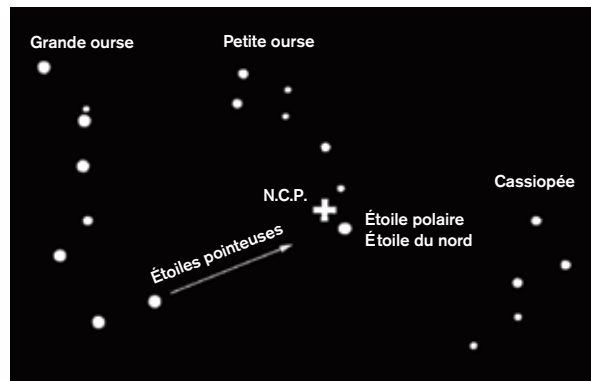
NOTE : Ce réglage de latitude ne doit en général n'être effectué qu'une fois tant que vous utilisez le télescope sur le même lieu d'observation. Son réglage ne sera requis que si vous vous déplacez assez loin vers le sud ou le nord entre les observations. Un déplacement d'environ 110 km (70 miles) nécessite un ajustement de la latitude. De petits déplacements, comme par exemple déplacer le télescope depuis le jardin situé à l'avant de la maison sur celui situé à l'arrière, ou même sur un autre site de la même ville, ne nécessite pas le réglage de la latitude.



Une fois votre trépied à niveau et votre latitude définie, la seule étape restante est de faire pivoter la monture de manière à ce que l'axe polaire (l'axe de rotation AD) soit orienté vers le nord. Pour faire cela :

1. Positionnez le télescope de manière à ce que le tube soit directement au-dessus de la monture équatoriale et que l'avant du tube du télescope pointe directement au-dessus de la barre de contrepoids. Serrez les molette de frein AD et DEC pour maintenir la monture en place.
2. Repérez le nord. Vous pouvez faire cela de deux manières :
 - a. Utilisez une boussole ou une application sur un appareil intelligent pour trouver le nord magnétique. Ceci représente le moyen le plus simple, mais malheureusement le moins précis également. Le nord magnétique peut varier de jusqu'à 15 degrés par rapport au pôle nord géographique. Il est malgré tout un moyen adéquat et rapide car les applications sur les appareils intelligents sont capables de compenser cette imprécision.

b. Si vous disposez de plus de temps et avez une bonne connaissance du ciel nocturne, vous pouvez trouver le pôle nord géographique en cherchant la Grande casserole et/ou la constellation de Cassiopée. L'étoile Polaire, l'Étoile du nord, se trouve à environ 0,8 degrés du vrai nord céleste et est assez brillante pour être repérée à l'œil nu depuis les sites en banlieue. Recherchez les deux étoiles qui forment l'extrémité du récipient de la casserole et tirez une ligne directe entre elles pour repérer l'étoile Polaire. Utiliser l'étoile Polaire comme vrai nord vous permettra de connaître avec une précision très correcte la position du vrai nord géographique.

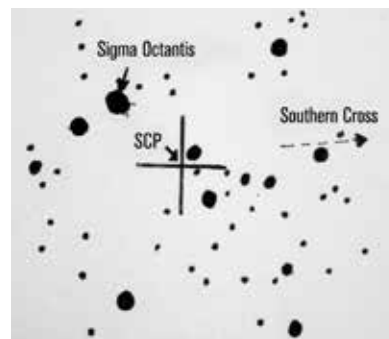
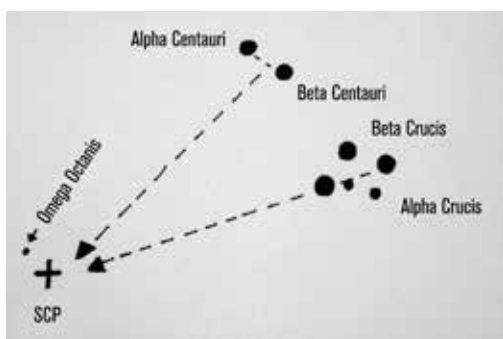
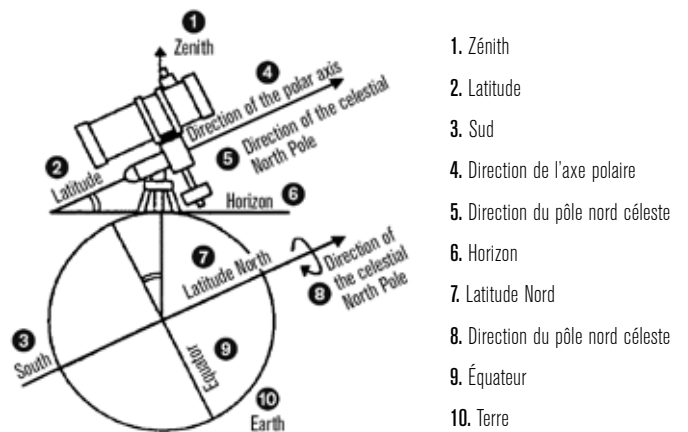


3. Desserrez légèrement la molette située entre les trois pieds du trépied qui fixe la monture EQ à la tête du trépied. Desserrez-la juste assez pour pouvoir faire pivoter la monture sur la tête du trépied.

4. Tenez la tête de la monture équatoriale et faites-la pivoter jusqu'à ce que le tube du télescope pointe dans la même direction que l'aiguille de la boussole. Si vous utilisez l'étoile Polaire pour vous orienter, alignez le tube dans la longueur sur l'étoile.

5. Une fois la monture alignée sur le nord, serrez la molette de fixation à la monture pour la fixer en place.

NOTE : Si vous vous trouvez dans l'hémisphère sud, utilisez une boussole pour localiser le pôle céleste sud. Tournez la monture jusqu'à ce que le télescope pointe vers le sud en vous aidant de l'aiguille de la boussole. Au lieu de l'étoile Polaire, vous pouvez utiliser l'étoile Sigma Octantis. La Croix du sud est un guide fiable pour trouver cette étoile.



Une fois votre monture alignée sur l'axe polaire, il devient très facile de suivre les objets sur leur lente dérive dans le ciel causée par la rotation de la Terre. Vous pouvez localiser les objets en utilisant les cercles de réglage présents sur votre monture. Pour en savoir plus sur les cercles de réglage, voyez la section « Un mot sur les cercles de réglage », à la fin du mode d'emploi.

VOTRE PREMIÈRE SESSION D'OBSERVATION ASTRONOMIQUE

LA LUNE

Vous êtes maintenant prêt à installer votre télescope à l'extérieur et faire de véritables observations pendant la nuit!

Commençons par la Lune. Les phases de la Lune s'étendent sur un cycle complet d'environ un mois, de la nouvelle Lune à la pleine Lune et vice versa. Essayez de l'observer à différents moments au cours de ce cycle.

Alors que vous pouvez observer la Lune à n'importe quel moment lorsqu'elle est visible dans le ciel nocturne, le meilleur moment pour la voir est deux jours après une nouvelle Lune jusqu'à quelques jours avant une pleine Lune. Durant cette période, vous pourrez voir plus de détails relatifs aux cratères et aux chaînes de montagnes lunaires. Consultez un calendrier pour connaître la prochaine apparition de la nouvelle Lune.

1. Lorsque la Lune se voit clairement, installez votre télescope avec l'oculaire 20 mm.
2. Allumez le chercheur et regardez à travers celui-ci pour trouver les points rouges.
3. Déplacez le télescope de façon à voir la Lune par la fenêtre du chercheur et le point rouge centré sur la Lune.
4. Regardez dans l'oculaire 20 mm. Tournez tout doucement les molettes de mise au point pour régler la netteté de l'image.

FÉLICITATIONS! VOUS AVEZ OBSERVÉ VOTRE PREMIER OBJET CÉLESTE!

Vous pouvez utiliser cette technique de base pour observer d'autres corps célestes, tels que des planètes, des amas d'étoiles ou des nébuleuses.

OBSERVATION DU CIEL CONSEILS

Cette section offre des conseils sur l'observation des objets du système solaire et du ciel profond ainsi que des remarques sur les conditions d'observation pouvant avoir une influence sur sa qualité.

AGRANDISSEMENT

Vous pouvez changer l'agrandissement de votre télescope en interchangeant simplement les oculaires. Le télescope et les oculaires possèdent des longueurs de focale exprimées en millimètres. Pour calculer la puissance d'agrandissement d'un ensemble télescope-oculaire, divisez la longueur de focale du télescope et divisez-la par celle de l'oculaire. Le résultat obtenu est le facteur d'agrandissement.

Par exemple, l'AstroMaster 90EQ offre une longueur de focale de 1000 mm. Si vous utilisez un oculaire de 20 mm :

$$\text{Grossissement} = \frac{\text{Longueur de focale du télescope}}{\text{Longueur de focale de l'oculaire}} = \frac{1000 \text{ mm}}{20 \text{ mm}} = 50x$$

CHAMP DE VISION

Déterminer le champ de vision est important si vous voulez avoir une idée de la taille angulaire de l'objet observé. Pour calculer le champ de vision réel, divisez le champ de vision apparent de l'oculaire (fourni par le fabricant de l'oculaire) par l'agrandissement offert par le télescope.

En utilisant l'exemple de la section précédente, nous pouvons déterminer le champ de vision en utilisant le même oculaire de 20 mm. L'oculaire de 20 mm a un champ de vision apparent de 40°.

$$\text{Champ de vision réel} = \frac{\text{Champ de vision apparent de l'oculaire}}{\text{Agrandissement}} = \frac{40^\circ}{50} = 0,8 \text{ degrés d'arc}$$

L'oculaire de 20 mm a un champ de vision apparent de 40°. Divisez les 40° par la valeur de grossissement, qui est de puissance 50. Cela permet un champ de vision réel de 0,8 degrés, soit 48 minutes d'arc.

LES PLANÈTES

En plus de la Lune, votre télescope est capable d'observer les 5 planètes les plus lumineuses. Les planètes changent de position sur le fond d'étoiles, il vous sera donc nécessaire de consulter Internet ou une application planétarium sur un appareil compatible pour vous aider à les localiser.

Voici quelques conseils pour localiser les planètes :

- **Mercure et Vénus-** À l'instar de la Lune, les deux planètes intérieures passent par plusieurs phases, allant d'un croissant fin à des phases gibbeuses.
- **Mars-** Lorsqu'elle est en opposition proche (le point de son orbite le plus proche de la Terre), vous devriez pouvoir discerner les calottes polaires de la planète et probablement certaines caractéristiques de surface les plus importantes, visibles comme des marques plus sombres.
- **Jupiter-** Essayez d'observer les bandes de nuages de méthane qui encerclent la planète, immédiatement au-dessus et au-dessous de son équateur. Si la grande Tache rouge fait face à la terre, vous devriez pouvoir la discerner. Vous verrez également les quatre lunes les plus lumineuses de Jupiter – Io, Europe, Ganymède et Callisto. Ces lunes sont amusantes à observer, car elles se déplacent de manière visible en l'espace de quelques heures. Occasionnellement, elles passeront derrière Jupiter ou seront occultées par son ombre, et disparaîtront pendant un moment. Elles peuvent également passer devant la face de Jupiter, projetant sur elle une ombre observable. Il existe quelques applications utiles qui vous aideront à prédire quand la grande Tache rouge sera visible ainsi que d'être au fait des événements intéressants subits par les lunes.
- **Saturne-** Les anneaux! Saturne est sans doute l'un des plus beaux objets à observer à l'aide d'un télescope. Si les conditions d'observations sont assez stables, vous pourriez même pouvoir observer l'ombre projetée par les anneaux sur la planète ou celle projetée par la planète sur les anneaux. Vous devriez également être capable de discerner Titan, la Lune la plus brillante de Saturne.

OBJETS DU CIEL PROFOND

Les objets du ciel profond sont tous ceux situés en dehors des limites de notre système solaire. Ces objets sont des amas d'étoiles, des nébuleuses planétaires, des nébuleuses diffuses, des étoiles doubles et d'autres galaxies situées en dehors de notre Voie lactée. Les objets comme les nébuleuses et les galaxies peuvent être de grande taille, mais également peu brillants. Pour garantir la meilleure observation, assurez-vous de choisir une nuit aussi sombre que possible. Plus vous êtes éloigné des lumières de la ville, plus aisément vous pourrez observer ces objets dans l'oculaire. Sur les photos des nébuleuses et des galaxies, vous verrez des rouges et des bleus vifs. Ces couleurs ne sont pas visibles dans l'oculaire. Ces images colorées sont des images effectuées à de très longues expositions de 15 à 60 minutes ou plus, alors que votre œil ne capture les données visuelles qu'à un instant T seulement. Les capteurs numériques sont beaucoup plus sensibles aux bleus et aux rouges que l'œil humain, qui est plus sensible à la partie verte du spectre des couleurs. Malgré tout, vous pourrez observer l'éclat doux de la galaxie d'Andromède et la vaste surface de la nébuleuse d'Orion.

CONDITIONS D'OBSERVATION

Les conditions d'observation peuvent grandement impacter les performances de votre télescope de trois manières.

- **Immobilité de l'air-** Les jours de grand vent, les images de la Lune et des planètes peut sembler trembler ou sauter dans le champ de vision de l'oculaire; comme si vous regardiez au travers de l'eau. Les nuits de vent calme vous permettront d'agrandir la vue des planètes et de la Lune le plus possible. La meilleure manière de juger de la stabilité de l'atmosphère est de regarder des étoiles brillantes à l'œil nu. Si elles « clignotent » ou changent rapidement de couleur, l'air est instable, et il est recommandé d'utiliser des oculaires basse puissance et d'observer les objets du ciel profond. Si les étoiles apparaissent nettes et stables, l'air est calme et devrait permettre un plus grand agrandissement pour l'observation des planètes.
- **Transparence-** Quelle est la clarté de l'air au-travers duquel vous faites votre observation? Si l'air est très humide, la faible lumière des galaxies et des nébuleuses peut être propagée et diffusée avant d'atteindre votre télescope, causant une réduction de la luminosité de l'image. Des débris en suspension dans l'air provenant de feux de forêt ou même d'éruptions volcaniques lointaines peuvent également contribuer à une grande perte de luminosité. Dans certaines situations, cette humidité ou ces débris peuvent contribuer à stabiliser l'air, permettant de bonnes observations des planètes et de la Lune, mais la perte de luminosité peut rendre difficile l'observation des objets du ciel profond.
- **Luminosité du ciel-** La quantité de luminosité ambiante peut également affecter l'observation des objets du ciel profond. Le niveau d'obscurité du ciel peut dépendre de votre environnement immédiat. Au cœur d'une ville, l'éclairage de la ville reflété vers la Terre par le ciel peut noyer la faible luminosité provenant des galaxies lointaines. Vous éloigner des lumières brillantes d'une grande ville peut faire une grande différence et vous permettre de voir les objets peu brillants du ciel profond, au lieu de les rater complètement. Les planètes et la Lune sont assez brillantes d'elles-mêmes, donc l'impact de la luminosité ambiante est minime.

SÉLECTION D'UN SITE D'OBSERVATION

Si vous souhaitez observer des objets du ciel profond, comme des galaxies ou des nébuleuses, nous vous recommandons de vous déplacer sur un site où le ciel est obscur, si un tel lieu est raisonnablement facile d'accès. Ce site doit idéalement se trouver à bonne distance des lumières d'une ville, offrir un horizon relativement libre d'obstacle et se trouver en amont d'un vent portant des particules de pollution. Choisissez toujours un site aussi élevé que possible, car cela peut aider à réduire les effets de l'instabilité atmosphérique et peut garantir que vous trouvez au-dessus d'un brouillard terrestre éventuel. Bien qu'il soit préférable d'installer votre télescope sur un site où le ciel est obscur, cela n'est pas toujours nécessaire. Si vous souhaitez observer les planètes, la Lune ou même certains objets du ciel profond, vous pouvez le faire depuis n'importe où, même depuis votre jardin. Essayez d'installer votre télescope dans un lieu qui se trouve éloigné de la lumière directe d'un lampadaire ou de la maison pour aider à préserver votre vision nocturne. Essayez d'éviter d'observer n'importe quel objet qui se trouve dans un rayon de 5 à 10 degrés au-dessus du toit d'un bâtiment. Les toits absorbent de la chaleur pendant la journée et la relâchent pendant la nuit. Cela peut créer l'apparition de turbulences directement au-dessus des bâtiments susceptibles de dégrader l'image. Il est recommandé d'installer votre télescope directement sur une surface de terre ou herbeuse. Nous recommandons d'éviter toute plateforme surélevée comme une terrasse de bois, une surface bétonnée ou un trottoir, car les surfaces dures transmettent aisément les vibrations dans le télescope.

L'observation au-travers d'une vitre n'est pas recommandée car le verre peut déformer l'image considérablement. Une fenêtre ouverte peut être pire car l'air plus chaud de l'intérieur du bâtiment s'échappera vers l'extérieur, ce qui peut créer des turbulences susceptibles d'affecter l'image reçue. L'astronomie est une activité de plein air.

CHOISIR LE MEILLEUR MOMENT POUR L'OBSERVATION

Essayez d'éviter le moment suivant immédiatement le coucher du soleil. La Terre refroidit après le coucher du soleil, causant des turbulences aériennes. Au cours de la nuit, non seulement la qualité de la vision s'améliorera, mais le niveau de pollution de l'air et la lumière venue du sol faibliront également. Souvent, le meilleur moment pour observer est tôt le matin, avant l'aube. Les objets célestes sont plus faciles à observer lorsqu'ils croisent le méridien, la ligne imaginaire qui va du nord vers le sud, croisant un point situé directement au-dessus de nos têtes. C'est le point sur lequel les objets atteignent leur point le plus élevé dans le ciel et votre télescope observe au-travers de la plus petite quantité d'atmosphère possible. Les objets qui se lèvent ou qui se couchent près de l'horizon souffriront de davantage de turbulences atmosphériques car vous observez au-travers d'une bien plus longue colonne d'air. Il n'est pas toujours nécessaire que le ciel soit complètement libre de nuages. Un ciel contenant des nuages épars peut souvent offrir des conditions d'observation excellentes.

REFROIDIR LE TÉLESCOPE

Les télescopes nécessitent au moins 10 minutes pour refroidir au contact de l'air extérieur. Cela peut prendre plus longtemps si le différentiel de température entre le télescope et l'air extérieur est grand. Cela minimise les déformations dues à la formation de vagues de chaleur dans le tube du télescope (courant du tube).

ADAPTER VOS YEUX

Si vous prévoyez d'observer des objets du ciel profond depuis un site de ciel obscur, il est recommandé de permettre à vos yeux de s'adapter complètement à l'obscurité en évitant l'exposition à des sources de lumière blanche, comme des lampes torches, des phares de voiture, des lampadaires, etc. Vos pupilles prennent environ 30 minutes à se dilater jusqu'à leur diamètre maximum et à concentrer la bonne quantité de pigments nécessaires à la perception d'une lumière faible venant d'une cible lointaine. Si vous avez besoin d'éclairage pour installer votre télescope dans le noir, essayez d'utiliser une lampe torche à DEL rouges, à luminosité minimum et évitez de regarder directement dans la source lumineuse. Cela vous donnera la meilleure chance de capturer des objets peu lumineux du ciel profond.

Lors de l'observation, il est important de garder les deux yeux ouverts. Cela permet d'éviter la fatigue excessive de l'œil aligné sur l'oculaire. Si vous trouvez cela trop distrayant, vous pouvez vous couvrir l'autre œil de la main ou avec un cache-œil. Le centre de l'œil fonctionne bien en journée ensoleillée, mais est également la zone la moins sensible de l'œil pour capturer les détails subtils sous faibles conditions lumineuses. Lorsque vous observez une cible peu lumineuse dans l'oculaire, ne regardez pas directement vers cette dernière. Regardez plutôt vers les bords du champ de vision, et l'objet apparaîtra plus lumineux.

ASTROPHOTOGRAPHIE

L'une des premières questions que la majorité des personnes se pose est « Comment puis-je prendre des photos avec mon nouveau télescope? ». Votre télescope est capable d'effectuer des captures d'imagerie de la Lune et des planètes, mais vous aurez besoin d'un télescope plus sophistiqué et d'une monture équipée d'un système de suivi à engrenages motorisée de précision. Voici différentes méthodes pour utiliser votre télescope pour l'imagerie :

- **Appareils intelligents et caméras classiques-** L'utilisation de ces appareils représente la manière la plus facile de capturer des images de la Lune et des planètes. Placez simplement l'objectif de la caméra de votre appareil sur l'oculaire et prenez une photo. Bien que vous puissiez faire cela avec n'importe quel oculaire, il est généralement plus facile d'effectuer une prise en utilisant un oculaire basse puissance (d'une longueur de focale plus grande). Vous devrez veiller à ne pas trembler, mais vous pouvez obtenir ainsi de bons résultats.
- **Appareils photos numériques-** Celestron offre des adaptateurs vous permettant de fixer le boîtier d'un appareil photo réflex numérique Canon ou Nikon au télescope au lieu de l'oculaire. Votre télescope devient alors une lentille téléphoto. Cela nécessite l'utilisation d'un adaptateur en T pour le télescope et un anneau-T pour le boîtier de l'appareil photo. Pour en savoir plus sur les adaptateurs disponibles pour un modèle spécifique de télescope, rendez-vous sur www.celestron.com.
- **Imageurs planétaires CMOS-** Ce sont des caméras spécialisées qui prennent la place de l'oculaire dans votre télescope. Ils se connectent à votre ordinateur portable via port USB. La caméra enregistre une vidéo de la planète, puis le logiciel décompose le fichier vidéo en trames individuelles. Le logiciel les combine ensuite en une image unique comportant plus de détails qu'une image unique pourrait contenir. Cette méthode vous permet d'obtenir les meilleures images de la Lune ou des planètes, mais nécessite que vous ayez un ordinateur portable disponible sur le site d'observation. Pour en savoir plus sur les caméras d'imagerie planétaire, visitez www.celestron.com.

ÉQUIPEMENT D'OBSERVATION DES OBJETS DU CIEL PROFOND

Il existe des outils qui vous seront indispensables à l'identification et la localisation d'objets dans le ciel profond :

- **Lampe torche rouge-** Ceci est un outil essentiel pour la lecture de chartes de recherche ou d'atlas célestes. Pour pouvoir observer la lumière très faible émise par des objets distants comme des nébuleuses ou des galaxies, vos yeux doivent être adaptés complètement à l'obscurité, avec les iris complètement dilatés. La lumière blanche émise par une lampe torche classique fera en sorte que vos iris se rétractent et vos yeux peuvent prendre jusqu'à une demie heure pour s'adapter de nouveau totalement à l'obscurité. La lumière rouge n'a pas le même effet. Nous recommandons n'importe quel modèle de lampe torche DEL équipé d'un variateur d'intensité, car à haute intensité, même la lumière rouge peut impacter votre vision nocturne. Ces lampes sont disponibles chez la majorité des revendeurs de télescopes, mais également dans les magasins de matériel de camping et les quincailleries.
- **Planisphère-** Une planisphère est une carte des étoiles circulaire spéciale qui indique grossièrement l'emplacement des constellations situées au-dessus de votre tête. À la différence des cartes que vous pouvez imprimer en ligne, les planisphères sont utilisables tout au long de l'année, pas seulement à la date ou le mois pour laquelle est a été imprimée. Une planisphère se compose de deux disques joints au centre. Le disque du dessous représente une carte des constellations, alors que le disque du dessus possède une ouverture dévoilant une portion de la carte du ciel. En faisant tourner les disques intérieurs et extérieurs selon votre date et heure actuelle, vous pourrez voir sur la carte seulement les constellations visibles à ce moment précis. Ceci est pratique pour identifier grossièrement la position des étoiles brillantes et des constellations. Les planisphères sont disponibles dans les librairies et vous pourrez en trouver correspondant à un grand nombre de latitudes de l'hémisphère nord ou sud. Assurez-vous d'en choisir une conçue pour votre site d'observation. Pour savoir plus précisément l'emplacement d'objets du ciel profond au sein d'une constellation, vous aurez besoin d'un atlas céleste.
- **Atlas céleste-** Les atlas célestes constituent une carte du réseau de circulation céleste. Une fois que vous avez localisé une constellation à l'aide de votre planisphère, l'atlas céleste vous montrera une vue agrandie de cette région du ciel pour que vous puissiez identifier les étoiles et les objets du ciel profond qui y résident. Les atlas célestes sont disponibles dans la majorité des revendeurs de télescopes et dans les librairies.
- **Applications et programmes-** Il existe un grand nombre d'applications pour smartphone ou tablette qui sont capables de remplacer un planisphère ou un atlas céleste. Ces dernières montrent une représentation numérique du ciel nocturne sur votre appareil, vous permettant d'agrandir ou de réduire la taille de l'espace affiché. Ces applications peuvent être téléchargées ou achetées sur les boutiques dédiées à votre plateforme. Il y a également des programmes de simulation astronomique excellents pour votre ordinateur qui vous montreront des cartes célestes très détaillées sur l'écran et qui pourront vous aider à planifier votre session d'observation en avance de manière à ce que vous puissiez ensuite imprimer les cartes dont vous aurez précisément besoin.

SAUTS ENTRE LES ÉTOILES

La manière la plus facile de vous orienter dans le ciel nocturne est d'utiliser la technique dite « Star hopping ». La première chose à faire avant de commencer est de mesurer le champ de vision de votre télescope. Regardez le ciel et repérez une constellation contenant des étoiles brillantes. Vous pouvez utiliser votre planisphère ou une carte astronomique pour vous aider à l'identifier. Recherchez ensuite la carte de votre atlas céleste montrant cette constellation. Centrez votre chercheur sur n'importe quelle étoile brillante que vous pouvez reconnaître sur la carte des étoiles. Positionnez votre tête à 30 centimètres (12 pouces) de la fenêtre réfléchissante de votre chercheur StarPointer de manière à ce que l'étoile brillante soit située en bordure du champ de vision offert par la fenêtre (la direction choisie n'est pas importante). Sans déplacer le télescope, regardez dans la fenêtre du chercheur et localisez une autre étoile présente sur la bordure opposée du champ de vision. Localisez cette seconde étoile sur la carte. Mesurez la distance entre ces deux étoiles avec une règle graduée. La distance ainsi obtenue représente le champ de vision de ce chercheur en relation avec votre atlas. Vous pouvez maintenant utiliser cette mesure pour localiser des objets célestes.

ENTRETIEN ET NETTOYAGE DU TÉLESCOPE

Bien que votre télescope nécessite peu d'entretien, voici quelques conseils à ne pas oublier pour vous assurer d'obtenir les meilleures performances possibles de votre télescope. Occasionnellement, de la poussière ou de l'humidité pourrait se déposer sur les lentilles de votre télescope. Nettoyez l'instrument avec un soin particulier pour ne pas abîmer l'objectif.

Si de la poussière s'est accumulée sur les optiques, suivez ces étapes pour les nettoyer :

1. Utilisez une brosse en poil de chameau pour retirer les particules les plus larges.
2. Utilisez une poire de photographe pour souffler les débris libres. Vous pouvez également utiliser une bombe d'air comprimé, comme celles vendues pour nettoyer les claviers des ordinateurs. Utilisez ces dernières avec précautions. Évitez d'utiliser des bombes qui sont presque vides et soyez sûr de tenir celle que vous utilisez à la verticale. Si vous ne respectez pas ces indications, la bombe peut projeter du gaz propulseur liquide sur les optiques. Ne tenez pas la surface optique en angle droit par rapport au jet d'air et effectuez de courtes pressions de 2 à 4 secondes.
3. Utilisez une solution de nettoyage de lentilles composée à 50/50 d'alcool isopropylique du commerce et d'eau distillée. Imbibez d'abord le papier-mouchoir avec de la solution, puis appliquez le papier-mouchoir sur l'objectif. Tout en exerçant une faible pression, effectuez des mouvements en ligne droite, en partant du centre de la lentille (ou miroir) vers l'extérieur. **N'effectuez JAMAIS de mouvements circulaires!**

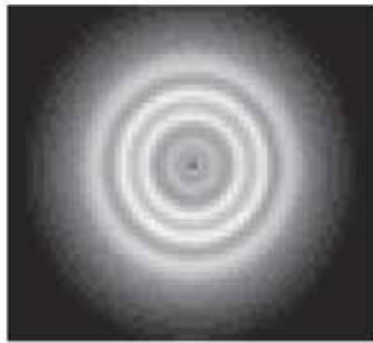
Occasionnellement lors d'une séance d'observation, vous pouvez trouver une accumulation de rosée sur l'objectif de votre télescope. Si vous voulez continuer à observer, la rosée doit être enlevée, soit avec un sèche-cheveux (à faible chaleur) ou en faisant pointer le télescope vers le sol jusqu'à ce que la rosée se soit évaporée. Si de l'humidité se condense à l'intérieur de l'optique, retirez les accessoires du télescope. Placez le télescope dans un environnement sans poussière faites-le pointer vers le bas jusqu'à ce que l'humidité soit évaporée.

Pour minimiser la fréquence de nettoyage de votre télescope, remettez les capuchons de lentille en place après utilisation. Puisque les tubes du télescope ne sont PAS scellés, les capuchons doivent être remis sur les ouvertures lorsque le télescope n'est pas utilisé. Cela empêchera les corps étrangers de rentrer dans le tube optique.

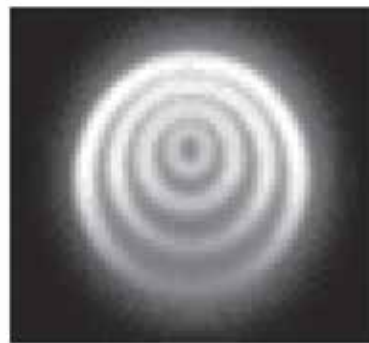
Les réglages internes et le nettoyage ne devraient être effectués que par le service de réparation de Celestron. Si votre télescope a besoin d'un nettoyage interne, veuillez appeler l'usine pour obtenir un numéro d'autorisation de retour et un devis.

COLLIMATION D'UN TÉLESCOPE NEWTONIEN

Bien que votre télescope nécessite peu d'entretien, il y a quelques considérations à prendre en compte pour garantir que votre télescope soit au mieux de sa collimation dans le processus d'aligner les miroirs de votre télescope de manière à ce qu'ils fonctionnent de mieux en concert pour garantir qu'ils délivrent une lumière correctement mise au point dans votre oculaire. En observant des images d'étoiles non mises au point, vous pouvez tester si les optiques de votre télescope sont alignés. Positionnez une étoile au centre du champ de vision et effectuez la mise au point sans que l'image soit totalement nette. Si les conditions d'observation sont bonnes, vous verrez un cercle de lumière central (le disque Aérien) entouré de plusieurs anneaux de diffraction. Si les anneaux sont symétriques autour du disque aérien, les optiques du télescope sont correctement en collimation.



Correctement aligné

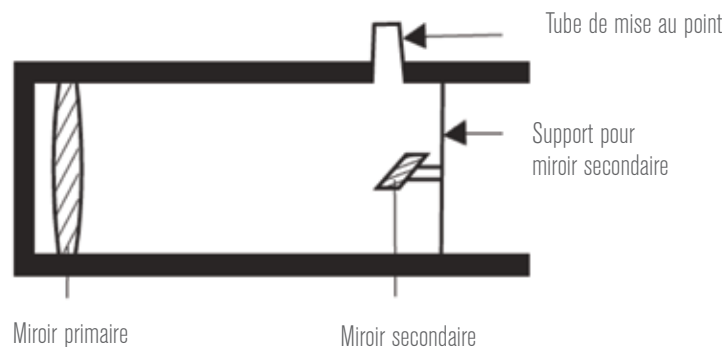


À besoin de collimation

La collimation est un processus facile qui s'effectue comme suit :

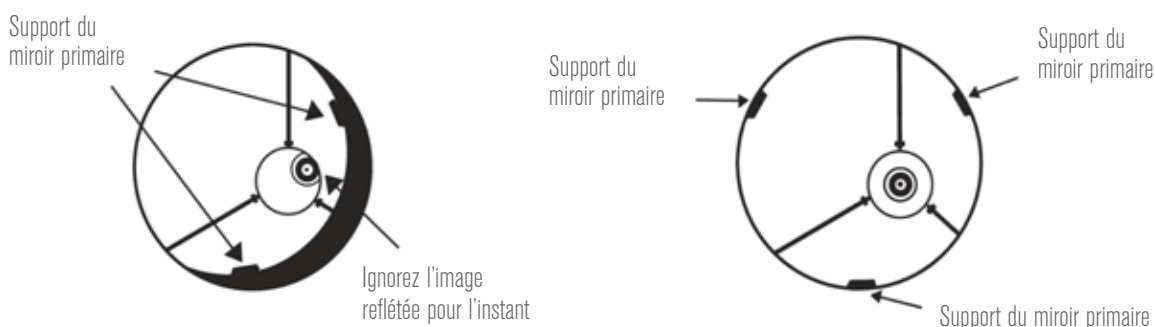
Retirez le capuchon de lentille qui couvre l'avant du télescope et regardez dans le tube optique. En bas vous verrez le miroir primaire tenu en place par trois attaches positionnées à 120° les unes des autres, et en haut le petit miroir secondaire ovale fixé sur un support et qui est orienté à 45° vers le foyer présent en dehors de la surface du tube.

Le miroir secondaire est aligné en ajustant les trois plus petites vis qui encerclent le boulon central. Le miroir primaire est ajusté par trois vis de réglage présentes à l'arrière du tube. Les trois vis de verrouillage sont utilisées pour maintenir le miroir en place une fois la collimation effectuée.



ALIGNER LE MIROIR SECONDAIRE

Pointez le télescope vers un mur éclairé et regardez dans le foyer sans oculaire présent. Il peut être nécessaire de faire pivoter la molette de mise au point sur quelques tours jusqu'à ce que l'image réfléchie dans le foyer soit hors de vue. Gardez l'œil sur l'arrière et centré sur le foyer. Trouvez les trois supports qui maintiennent le miroir primaire en place. Si vous ne pouvez pas les repérer, cela veut dire que vous allez devoir ajuster les trois boulons situés sur le haut du support du miroir secondaire, en vous aidant si nécessaire d'une clef Allen ou d'un tournevis cruciforme. Vous devrez alternativement desserrer l'une des vis et resserrer les deux autres pour compenser. Arrêtez lorsque vous pouvez apercevoir les trois supports du miroir. Assurez-vous que les trois vis d'alignement sont serrées pour maintenir le miroir secondaire en place.

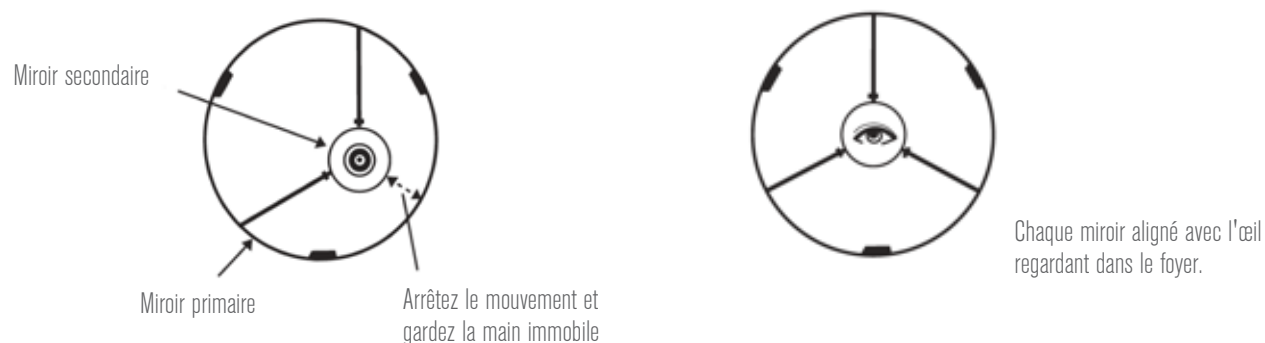


ALIGNER LE MIROIR PRIMAIRE

Vous trouverez trois gros boulons et trois petites vis à l'arrière de votre télescope. Les grands boulons servent de réglage et les petites vis servent de verrouillage. Desserrez les trois boulons de plusieurs tours. Faites maintenant passer votre main sur l'avant du télescope en gardant un œil sur le foyer. Vous verrez l'image réflétrie de votre main. Le principe est ici de déterminer dans quelle direction le miroir est penché. Vous pouvez faire cela en arrêtant de bouger la main lorsque l'image réflétrie dans le second miroir est la plus proche possible du bord du miroir primaire.

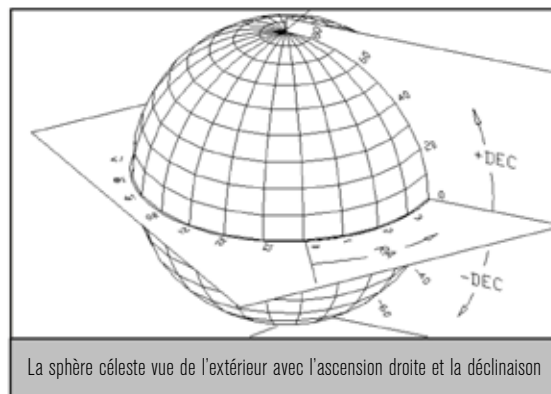
Lorsque vous atteignez ce point, arrêtez le mouvement et gardez la main immobile tout en regardant dans l'arrière du télescope. Voyez-vous une vis de réglage ici? Si c'est le cas, desserrez-la (tournez-la vers la gauche) pour éloigner le miroir de ce point. Si vous ne voyez pas vis de réglage, serrez la vis de réglage présente du côté opposé. Cela alignera le miroir graduellement. (Il est pratique d'avoir un ami présent pour vous aider à effectuer la collimation. Demandez à votre partenaire de régler les vis selon vos instructions pendant que vous regardez dans le foyer).

À la nuit tombée, sortez le télescope en extérieur et pointez-le sur l'étoile Polaire, l'Étoile du nord. Installez un oculaire dans le foyer et défaites la mise au point. Vous verrez la même image, à la différence qu'elle est maintenant illuminée par la lumière des étoiles. Si nécessaire, répétez le processus de collimation, mais utilisez une étoile centrée lorsque vous réglez le miroir.



UN MOT SUR LES CERCLES DE RÉGLAGE

Le système de coordonnées célestes est comparable au système de latitude et de longitude sur Terre. Exactement comme les villes sur une carte possèdent des coordonnées de longitude et de latitude, les étoiles et les objets du ciel profond possèdent des coordonnées d'Ascension Droite (AD) et de Déclinaison (DEC) au sein de la sphère céleste. Vos télescopes possèdent deux cercles de réglage, l'un pour l'axe AD et l'autre pour l'axe DEC. Les cercles de réglage sont des disques de 7 cm (3 pouces) comportant des graduations vous aidant à localiser des objets dans le ciel nocturne selon leurs coordonnées célestes.



La sphère céleste vue de l'extérieur avec l'ascension droite et la déclinaison

L'axe de Déclinaison sur la sphère céleste est divisé en degrés, minutes et secondes d'arc. Au niveau de l'équateur céleste, les coordonnées DEC sont 0 degrés, +90 degrés indiquent alors le Pôle nord céleste et - 90 degrés le Pôle sud céleste. La coordonnée DEC indique donc sur quelle distance orienter le télescope vers le nord ou le sud pour trouver votre cible.

Avant de pouvoir utiliser les cercles de réglage pour trouver des objets dans le ciel, vous devez calibrer ces derniers. Effectuer l'alignement polaire permet également de régler le cercle DEC, aucune étape supplémentaire le concernant n'est donc nécessaire. Le cercle RA requiert des informations supplémentaires.

Le cercle RA comporte deux ensembles de nombres sur sa graduation – l'un pour l'hémisphère nord (graduation du bas) et l'un pour l'hémisphère nord (graduation du haut). Pour aligner le cercle de réglage AD, vous devez être capable de repérer certaines des étoiles les plus lumineuses du ciel. Vous pouvez utiliser un atlas céleste ou une application astronomique pour vous aider.

Pour aligner le cercle de réglage AD :

1. Localisez une étoile brillante proche de l'équateur céleste. Plus vous vous éloignez du pôle céleste, mieux vous serez à même de lire les informations du cercle de réglage AD.
2. Utilisez votre atlas céleste ou votre application astronomique pour connaître les coordonnées de l'étoile choisie.
3. Centrez l'étoile dans l'oculaire de votre télescope.
4. Sans déplacer le télescope, faites pivoter le cercle AD jusqu'à ce que l'indicateur AD pointe sur les coordonnées AD de l'étoile choisie.

NOTE : Le cercle de réglage AD **NE SE DÉPLACE PAS** de concert avec le télescope sur l'axe AD. Le télescope doit donc être aligné à chaque fois que vous souhaitez trouver un objet. Cependant, il n'est pas nécessaire d'utiliser une étoile à chaque fois. Au lieu de cela, vous pouvez utiliser les coordonnées de l'objet que vous observez actuellement.

Une fois les cercles alignés, vous pouvez les utiliser pour trouver n'importe quel objet dont les coordonnées sont connues. La précision de vos cercles de réglage est directement liée à la précision de votre alignement polaire.

Pour trouver des objets à l'aide des cercles de réglage :

- 1.** Sélectionnez un objet à observer. Utilisez un planisphère, un atlas céleste, une application astronomique ou un logiciel pour vous assurer que l'objet choisi se trouve au-dessus de l'horizon. Cela ne sera plus nécessaire une fois que vous serez bien familiarisé avec le ciel nocturne.
- 2.** Cherchez les coordonnées de votre cible.
- 3.** Tenez le télescope et desserrez la molette de verrouillage DEC.
- 4.** Orientez le télescope en déclinaison jusqu'à ce que l'indicateur pointe sur la coordonnée de déclinaison correcte.
- 5.** Serrez la molette de verrouillage DEC pour empêcher les mouvements du télescope.
- 6.** Tenez le télescope et desserrez la molette de verrouillage AD.
- 7.** Orientez le télescope en AD jusqu'à ce que l'indicateur pointe sur la coordonnée correcte.
- 8.** Serrez la molette de verrouillage AD pour empêcher les mouvements du télescope.

À cause du manque de précision éventuel de l'alignement polaire et des cercles de réglage, il est peu probable que vous voyiez l'objet dans l'oculaire de votre télescope. Vous devrez utiliser les contrôles de mouvement lent et effectuer une recherche lente en cercles jusqu'à ce que l'objet choisi apparaisse dans le champ de vision.

Notez que l'utilisation des cercles de réglage est plus complexe que la méthode simple de « Star Hopping » décrite plus haut. Il est recommandé de commencer avec la méthode de Star Hopping, mais avec un peu de patience et de pratique, les cercles de réglages peuvent constituer une méthode valable pour trouver des objets dans le ciel nocturne. Essayez de vous entraîner sur des étoiles brillantes ou même des planètes qui sont relativement aisées à voir dans votre chercheur, jusqu'à ce que l'opération devienne plus aisée.

NOTES

NOTES

GARANTIE LIMITÉE CELESTRON DE 2 ANS

A. Celestron garantit que votre monture de télescope sera exempte de tout défaut de matériaux ou de fabrication pour une période de deux (2) ans. Celestron réparera ou remplacera ce produit ou une partie de celui-ci lorsqu'il a été déterminé, lors d'une inspection par Celestron, que le produit est défectueux en raison d'un défaut de matériaux ou de fabrication. Comme condition à l'obligation de Celestron de réparer ou remplacer un tel produit, le produit doit être retourné à Celestron avec la preuve d'achat satisfaisante pour Celestron.

B. Un numéro d'autorisation de retour valide doit être obtenu de Celestron avant le renvoi. Appelez Celestron au (310) 328-9560 pour recevoir le numéro à afficher à l'extérieur de votre colis d'expédition.

Tous les retours doivent être accompagnés d'une déclaration écrite indiquant le nom, l'adresse et le numéro de téléphone de jour du propriétaire, ainsi qu'une brève description des prétendus défauts. Les pièces ou le produit ayant été l'objet d'un remplacement deviendront la propriété de Celestron.

Le client sera responsable de tous les frais de transport et d'assurance, à la fois vers et depuis l'usine de Celestron, et devra payer à l'avance ces coûts.

Celestron fera des efforts raisonnables pour réparer ou remplacer tout télescope couvert par cette garantie dans les trente jours suivant sa réception. Dans le cas où une réparation ou un remplacement nécessitera plus de trente jours, Celestron en avisera le client en conséquence. Celestron se réserve le droit de remplacer tout produit qui a été retiré de sa gamme de produits disponibles avec un nouveau produit ayant une valeur et des fonctions équivalentes.

Cette garantie sera nulle et sans effet dans le cas où la conception ou la fonction d'un produit couvert a été modifiée, ou lorsque le produit a été soumis à un usage abusif, à de mauvaises manipulations ou à une réparation non autorisée. En outre, une défaillance ou une détérioration du produit due à l'usure normale n'est pas couverte par cette garantie.

CELESTRON DÉCLINE TOUTE GARANTIE, EXPRESSE OU IMPLICITE, DE QUALITÉ MARCHANDE OU D'ADAPTATION À UN USAGE PARTICULIER, À MOINS DE DISPOSITIONS EXPRESSES DANS CE DOCUMENT. LA SEULE OBLIGATION DE CELESTRON EN VERTU DE CETTE GARANTIE LIMITÉE SERA DE RÉPARER OU REMPLACER LE PRODUIT COUVERT, EN CONFORMITÉ AVEC LES DISPOSITIONS DE CE DOCUMENT. CELESTRON DÉCLINE TOUTE RESPONSABILITÉ POUR TOUTE PERTE DE PROFITS, TOUT DOMMAGE GÉNÉRAL, PARTICULIER OU INDIRECT POUVANT RÉSULTER DE LA VIOLATION DE TOUTE GARANTIE, OU EN RAISON DE L'UTILISATION DE, OU DE L'INCAPACITÉ À UTILISER, UN PRODUIT CELESTRON. TOUTE GARANTIE IMPLICITE QUI EST ET QUI NE PEUT ÊTRE DÉCLINÉE SERA LIMITÉE À UNE DURÉE DE DEUX ANS À PARTIR DE LA DATE D'ACHAT INITIALE.

Certains états ou certaines provinces ne permettent pas l'exclusion ou la limitation des dommages accessoires ou indirects ou une limitation sur la durée d'une garantie implicite, alors dans ces cas les limitations et exclusions susmentionnées pourraient ne pas s'appliquer à vous.

Cette garantie vous donne des droits légaux spécifiques, et vous pouvez également avoir d'autres droits qui varient d'un état ou d'une province à l'autre.

Celestron se réserve le droit de modifier ou de cesser la production de tout modèle ou style de télescope, et cela sans préavis.

Si vous rencontrez des problèmes liés à la garantie, ou si vous avez besoin d'assistance pour utiliser votre télescope, contactez : Celestron - 800.421.9649

NOTE : Cette garantie est valable pour les clients américains et canadiens qui ont acheté ce produit auprès d'un revendeur autorisé Celestron aux États-Unis ou au Canada. La garantie en dehors des É.-U. et du Canada n'est valable que pour les clients ayant acheté le produit d'un distributeur international de Celestron ou d'un distributeur agréé dans le pays en question. Veuillez communiquer avec eux pour toute réparation sous garantie.

Remarque relative à la FCC : Ce dispositif est conforme à la partie 15 de la réglementation de la FCC. Son utilisation est sujette aux deux conditions suivantes: (1) Ce dispositif ne doit pas causer d'interférence nuisible, et (2) ce dispositif doit accepter toute interférence reçue, y compris l'interférence qui peut engendrer un fonctionnement non désiré.

La conception et les caractéristiques du produit peuvent être modifiées sans préavis.
Ce produit a été conçu pour être utilisé par les personnes de 14 ans et plus.



© 2017 Celestron • Tous droits réservés.
www.celestron.com
2835 Columbia Street • Torrance, CA 90503 É.-U.
Téléphone: 800.421.9649

01-17
Imprimé en Chine

 **CELESTRON**[®]

ASTROMASTER[®]

EQ TELESKOP

DEUTSCH



BEDIENUNGSANLEITUNG

Modellnr. 21062, 21064, 31035, 31042, 31045, 31051
(70EQ, 90EQ, 76EQ, 114EQ, 130EQ, 130EQ-MD)



INHALT

WARNHINWEIS BEI SONNENBEOBACHTUNG	5
LIEFERUMFANG	6
DAS TELESKOP AUFBAUEN	7
Das Stativ und die parallaktische Montierung	7
Gegengewichtstange und Gegengewichte	8
Zeitlupensteuerung	8
Der Teleskoptubus	9
Der aufgerichtete Zenitspiegel (Nur bei Refraktor-Teleskopen)	9
Das Okular	10
Starpointer Sucherfernrohr	10
Akku Des Sucherfernrohr wechseln	11
Das Teleskop Bewegen	11
Ausrichten des Sucherfernrohrs	12
Das Teleskop Ausbalancieren	12
POLAUSRICHTUNG	14
IHRE ERSTE ASTRONOMISCHE BEOBACHTUNG	16
Der Mond	16
TIPPS FÜR HIMMELSBEOBACHTUNG	16
Vergrößerung	16
Gesichtsfeld	16
Die Planeten	17
Deep-Sky-Objekte	17
Witterungsbedingungen	18
Auswahl einer Beobachtungsstelle	18
Auswahl der besten Beobachtungszeit	18
Das Teleskop Abkühlen	19
Augen Anpassen	19
Astrobild	19
Zubehör Für die Deep-Sky Beobachtung	20
Starhopping	20
PFLEGE UND REINIGUNG DES TELESKOPS	21
KOLLIMATION EINES NEWTONTELESKOPS	22
Ausrichtung des Fangspiegels	23
Ausrichtung des Hauptspiegels	23
Noch ein Wort zur Einstellung mit Teilkreisen	24
HINWEISE	26
ZWEIJÄHRIGE EINGESCHRÄNKTE GARANTIE VON CELESTRON	28

WARNHINWEIS BEI SONNENBEOBACHTUNG

- Niemals mit bloßem Auge oder mit einem Teleskop direkt in die Sonne schauen, es sei denn, Sie verwenden einen korrekten Sonnenfilter. Es können permanente und irreversible Augenschäden auftreten.
- Das Teleskop keinesfalls zur Projektion eines Bildes der Sonne auf eine Oberfläche verwenden. Durch die interne Hitzeentwicklung können das Teleskop und etwaiges Zubehör beschädigt werden.
- Niemals einen Okularsonnenfilter oder einen Herschelkeil verwenden. Die interne Wärmeakkumulation im Teleskop kann zu Rissen oder Brüchen dieser Instrumente führen. Dadurch könnte ungefiltertes Sonnenlicht ins Auge gelangen.
- Lassen Sie das Teleskop nicht unbeaufsichtigt, vor allem wenn sich Kinder oder Erwachsene, die mit der korrekten Bedienung Ihres Teleskops nicht vertraut sind, in der Nähe befinden.

LIEFERUMFANG

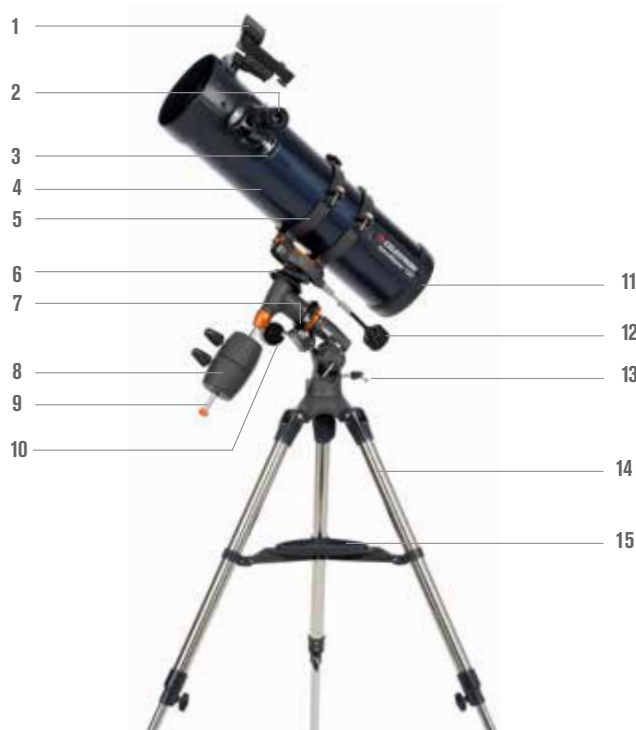
Wir empfehlen Ihnen, die Verpackung Ihres Teleskops aufzubewahren, um das Teleskop bei Nichtverwendung darin zu verstauen. Gehen Sie beim Auspacken vorsichtig vor, da Kleinteile enthalten sind. Überprüfen Sie anhand der untenstehenden Teileliste die Vollständigkeit aller Teile und Zubehörteile.

TEILELISTE



(90-mm-Refraktor-Teleskop angezeigt)

1. Objektivlinse
2. Teleskoptubus
3. DEK-Teilkreis
4. RA-Teilkreis
5. RA-Zeitlupenknöpfe
6. Gegengewicht
7. Gegengewichtsstange
8. Stativ
9. Zubehörablage
10. Schwalbenschwanz- Montagebügel
11. Starpointer-Sucherfernrohr
12. Okular
13. Aufricht-Zenitspiegel
14. Fokusknopf
15. DEK-Zeitlupenknöpfe
16. Parallaktische Montierung
17. Breitengradeinstellschraube



(130 mm Newton-Teleskop angezeigt)

1. Starpointer-Sucherfernrohr
2. Okular
3. Fokusknopf
4. Teleskoptubus
5. Rohrschellen
6. DEK-Teilkreis
7. RA-Teilkreis
8. Gegengewichte
9. Gegengewichtsstange
10. RA-Zeitlupenknöpfe
11. Hauptspiegel
12. DEK-Zeitlupenknöpfe
13. Breitengradeinstellschraube
14. Stativ
15. Zubehörablage

DAS TELESKOP AUFBAUEN

DAS STATIV UND DIE PARALLAKTISCHE MONTIERUNG

Dieser Abschnitt enthält die Anleitung zum Zusammenbau des AstroMaster-EQ-Teleskops. Ihr Teleskop sollte zum ersten Mal im Innenbereich aufgestellt werden, sodass es Ihnen leicht fällt, die verschiedenen Teile zu identifizieren und sich mit der korrekten Montage vertraut zu machen, bevor Sie es im Freien versuchen.

Das Stativ aufstellen:

1. Nehmen Sie Stativ und Montierung aus der Schachtel.
2. Lösen Sie die Drehknöpfe unten an jedem Stativbein und schieben Sie das Innenteil des Beines nach unten und stellen es auf die gewünschte Länge ein. Drehen Sie die Knöpfe zum Sichern der Beine an, doch achten Sie darauf, diese nicht zu fest anzuziehen.
3. Stellen Sie das Stativ auf und ziehen Sie die Stativbeine auseinander, bis die Mittelstrebe einrastet.
4. Setzen Sie das Zubehörfach auf die mittlere Stativstützstrebe auf die Lochung in der Mitte. Drehen Sie dann die Ablage, um die drei Arretierlaschen in die Halterungen an jedem Arm der Stativstützstrebe einrastet.



Die parallaktische Montierung ermöglicht Ihnen, die Rotationsachse des Teleskops zu neigen, sodass Sie den Sternen nachfolgen können, während sie über den Himmel wandern.

1. Nehmen Sie die parallaktische Montierung aus der Schachtel.
2. Setzen Sie das Hervorstehende der parallaktischen Montierung in die Vertiefung auf der Oberseite des Stativkopfs.
3. Verwenden Sie den großen Drehknopf unter dem Stativkopf, um die Halterung am Stativ zu befestigen. Drehen bis es gut sitzt, aber nicht zu fest anziehen.
4. Führen Sie die Breiteneinstellschraube in das Gewindeloch auf der Rückseite der Montierung ein. Sie brauchen sie nur kurz andrehen, weil Sie die später einstellen müssen.



GEGENGEWICHTSTANGE UND GEGENGEWICHTE

Die Montierung ist zur richtigen Auswuchtung mit einer Gegengewichtsstange und zwei Gegengewichten ausgestattet.

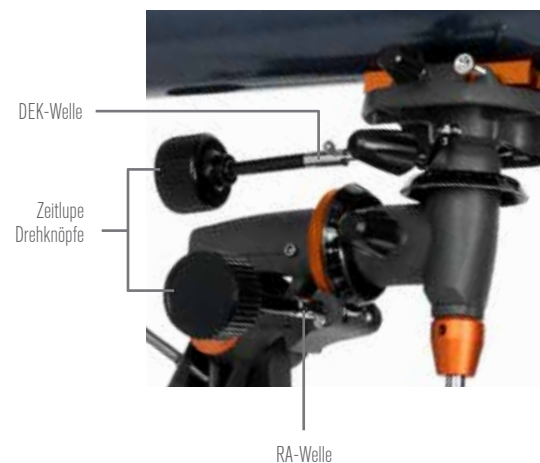
1. Nehmen Sie die Gegengewichtsstange aus der Schachtel und schrauben sie in die Gewindebohrung an der Unterseite der Deklinationsachse der Montierung.
2. Entfernen Sie die Sicherungsschraube des Gegengewichts am unteren Ende der Gegengewichtsstange.
3. Lösen Sie die Sicherungsschraube an der Seite des Gegengewichts. Überzeugen Sie sich, dass das Loch durch das Gegengewicht frei ist.
4. Schieben Sie das Gegengewicht bis ungefähr zur Hälfte auf die Gegengewichtsstange, dann ziehen Sie den Feststellknopf fest, um das Gegengewicht festzuhalten. Wenn Ihr Teleskop mit mehr als einem Gegengewicht kommt, bringen Sie das zweite Gewicht in der gleichen Weise wie die erste an.
5. Ersetzen Sie die orangefarbene Sicherungsschraube des Gegengewichts auf der Unterseite der Gegengewichtswelle. Dies verhindert, dass das Gegengewicht von der Welle abfällt, wenn es sich versehentlich löst.



ZEITLUPENSTEUERUNG

Die AstroMaster Montierung kommt mit zwei Zeitlupesteuerungsknöpfen, mit denen Sie feinfühligere Anpassungen am Teleskop vornehmen können, sowohl in den Rektaszension- als auch Deklinationsachsen, auch RA und DEK genannt. Installation der Drehknöpfe:

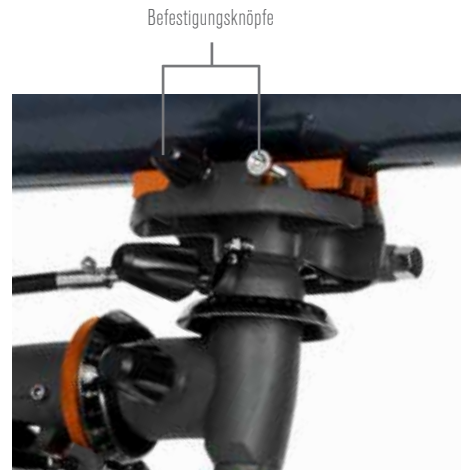
1. Suchen Sie die beiden Drehknöpfe in der Schachtel. Beide Drehknöpfe sind identisch, daher spielt es keine Rolle, welchen Drehknopf Sie auf welcher Achse aufsetzen.
2. Lösen Sie die Stellschraube am Ende von einem der beiden Drehknöpfe.
3. Schieben Sie es so weit wie möglich auf das Ende der RA-Zahnradwelle und ziehen Sie die Fixierschraube fest, um sie zu befestigen. Der RA-Drehknopf kann entweder auf der linken oder rechten Seite verwendet werden, wie Sie möchten.
4. Schieben Sie es so weit wie möglich auf das Ende der DEK-Zahnradwelle und ziehendie Fixierschraube fest, um sie zu befestigen.



DER TELESKOPTUBUS

Der Teleskoptubus wird an der parallaktischen Montierung mit einem Schnellentriegelungsschwalbenschwanzsystem befestigt. Alle Refraktor-Teleskope und das 76-mm Newton-Teleskop ist der Schwalbenschwanz direkt am Teleskoptubus befestigt. Bei den 114 mm und 130-mm Newtonteleskopen ist der Schwalbenschwanz an den Rohrschellen die den Teleskoptubus halten, befestigt.

1. Lösen Sie die beiden Schrauben an der Seite des Schwalbenschwanzsattels oben an der parallaktischen Montierung. Achten Sie darauf, dass sie für die Schwaltenschwanzleiste weit genug zurückgesetzt sind, um in den Montagebügel zu gleiten.
2. Schieben Sie die Schwalbenschwanzleiste auf den Teleskoptubus in den Montagebügel bis der Schwalbenschwanz vollständig in der Halterung sitzt.
3. Ziehen Sie die Befestigungsknöpfe fest, um das Teleskop festzuhalten.



DER AUFRECHTE ZENITSPIEGEL (Nur bei Refraktor-Teleskopen)

Der aufrechte Zenitspiegel auf der Rückseite des Refraktorteleskops reflektiert das Licht über ein kleines Prisma in einem Winkel von 90° und ermöglicht so eine bequemere Betrachtungsposition. Bei den meisten Teleskopen ist die Ansicht entweder auf dem Kopf stehend oder von links nach rechts seitenverkehrt. Der aufrechte Zenitspiegel korrigiert das Bild so, dass Sie ein zu 100 % korrekt ausgerichtetes Bild haben, so ist Ihr Teleskop perfekt für das terrestrische Beobachten am Tage.

Wie die Diagonale am AstroMaster 70EQ und 90EQ Refraktor-Teleskop eingegeben wird:

1. Nehmen Sie beide Kappen vom Zenitspiegel ab.
2. Lösen Sie die Feststellschrauben auf der Rückseite des Okularauszugs und ziehen die kleine Staubabdeckung ab.
3. Setzen Sie den kleineren Tubus des Zenitspiegels in die Rückseite des Okularauszugs und sichern es durch das Anziehen der Feststellschrauben. Der Winkel des Zenitspiegels lässt sich beliebig einstellen, bevor Sie die Schrauben festziehen.



HINWEIS: Ein Zenitspiegel wird keinen Fokus auf einem Newton- Teleskop erreichen. Das Bild wird immer auf dem Kopf stehend erscheinen. Die Newton-Teleskope kommen mit einem speziellen 20-mm-Okular, das für den terrestrischen Einsatz ein Amici Prisma aufweist.

DAS OKULAR

Ihr Teleskop wird mit zwei Okularen geliefert. Das 20-mm-Modell hat eine geringere Vergrößerungsleistung mit einem mäßig breiten Gesichtsfeld. Das 10-mm-Modell hat eine größere Vergrößerungsleistung, aber ein engeres Gesichtsfeld. Zusätzliche Okulare für eine geringere oder höhere Vergrößerungsstufe sind separat erhältlich. Zum ersten Anvisieren eines Objekts ist es am besten, das 20-mm-Okular zu verwenden, sobald das Objekt zentriert ist, wechseln Sie zum 10-mm-Okular, um es zu vergrößern.

Wie das Okular am AstroMaster 70EQ und 90EQ Refraktor-Teleskop installiert wird:

1. Lösen Sie die Feststellschrauben am offenen Ende des Zenitspiegels.
2. Schieben Sie den silbernen Teil des 20-mm-Okulars in den Zenitspiegel.
3. Ziehen Sie die zwei Feststellschrauben, um das Okular zu fixieren, wieder fest.
4. Für ein gestochen scharfes Bild fokussieren Sie, indem Sie durch das Okular sehen und langsam die Fokussierknöpfe drehen, solange bis Sie das schärfste Bild erhalten.



Das Okular am AstroMaster 76EQ, 114EQ und 130 EQ Newton-Teleskop einbauen:

1. Lösen Sie die Feststellschrauben am Ende des Okularauszugs und entfernen die Staubabdeckung.
2. Schieben Sie den Chromabschnitt des 20-mm-Okulars in den Okularauszug.
3. Ziehen Sie die Feststellschraube, um das Okular zu fixieren, wieder fest.
4. Für ein gestochen scharfes Bild fokussieren Sie, indem Sie durch das Okular sehen und langsam die Fokussierknöpfe drehen, solange bis Sie das schärfste Bild erhalten.

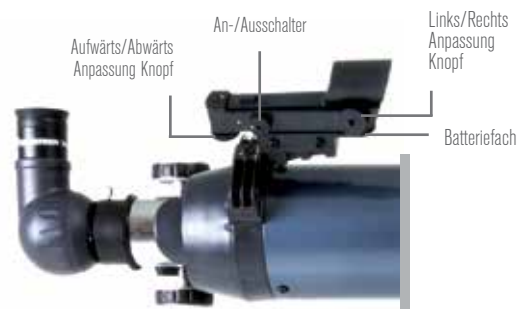


STARPOINTER-SUCHERFERNROHR

Ihr Teleskop ist mit einem Starpointer-Sucherfernrohr mit rotem Punkt ausgestattet, mit dessen Hilfe Sie ein Zielobjekt im Teleskop anvisieren können.

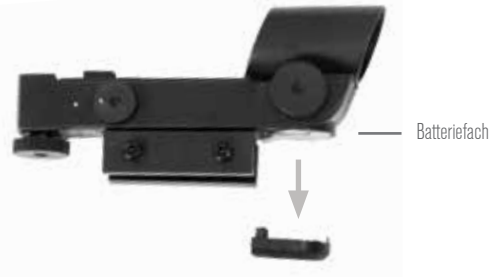
Installation des Suchfernrohrs:

1. Lösen Sie die beiden Kreuzschlitzschrauben an der Seite des Suchfernrohrs und schieben Sie die Klemme über die Schwalbenschwanzhalterung in der Nähe der Fokussiereinheit. Das große Fenster des Suchfernrohrs muss in Richtung der Vorderseite des Teleskops weisen.
2. Sichern Sie das Suchfernrohr, indem Sie die zwei Kreuzschlitzschrauben festziehen. Die Schrauben nicht zu fest anziehen. Dass sie halbwegs fest sitzen.
3. Entfernen Sie die kleine Plastikabdeckung unter dem Akkufachdeckel. Diese wurde angebracht, damit sich die Batterie während des Transports nicht versehentlich entlädt.



AKKU DES SUCHERFERNROHRS WECHSELN

Um den Starpointer Akku zu wechseln, entfernen Sie den Sucher vom Fernrohr und drehen ihn um. Das Batteriefach befindet sich direkt unter dem großen Objektiv. Mit einem kleinen Schraubenzieher oder mit Ihrem Fingernagel heben Sie den Akkufachdeckel leicht an und entfernen ihn. Der Akku wird durch einen Federkontakt festgehalten. Heben Sie diesen Kontakt vorsichtig an und drehen den Sucher auf die Seite. Der Stecker sollte direkt herausrutschen. Ersetzen Sie den Akku mit einer 3-Volt CR2032 Knopfzelle. Schieben Sie die neue Batterie unter den Kontakt und achten Sie darauf, dass der Pluspol der Batterie (der mit einem "+" Symbol gekennzeichnet ist) nach oben in Richtung Federkontakt zeigt. Der Akku sollte einrasten. Bringen Sie den Akkufachdeckel wieder an, indem Sie die Zapfen an dem Deckel über die Löcher im Sucherfernrohr setzen und herunterdrücken. Beachten Sie, dass die alte Batterie gemäß den lokalen Gesetzen entsorgt wird.



DAS TELESKOP BEWEGEN

Die AstroMaster parallaktische Montierung wurde entworfen, um das Teleskop auf himmlische Koordinaten basierende zwei Richtungen zu bewegen. Die Rektaszension oder RA-Achse bewegt das Teleskop in Ost/West-Richtung. Die Deklination oder DEK-Achse bewegt das Teleskop in Nord/Süd-Richtung. Durch das Bewegen des Teleskops in RA und DEK ist es Ihnen möglich Ihr Teleskop auf jeden Punkt im Himmel zu richten.

Um das Teleskop über weite Strecken zu bewegen:

1. Lösen Sie die RA- und DEK-Kupplungsknöpfe an der Seite der Halterung, indem Sie sie gegen den Uhrzeigersinn drehen. Dadurch können Sie das Teleskop in jede Richtung drehen.
2. Bewegen Sie den Bereich von Hand in RA und DEC, bis Sie in der Nähe der gewünschten Position sind.
3. Ziehen Sie die beiden Kupplungsknöpfe im Uhrzeigersinn fest, um die Montierung zu befestigen.

Zur Feineinstellung des Teleskops:

1. Überzeugen Sie sich, dass beide Kupplungen verriegelt sind.
2. Drehen Sie den RA- oder DEK-Zeitlupenregler nach Bedarf, um ein Objekt in Ihrer Okularansicht zu zentrieren.

HINWEIS: Wenn die Kupplungen entriegelt sind, funktionieren die Zeitlupenregler nicht.



AUSRICHTEN DES SUCHERFERNROHRS

Der Starpointer ist ein Reflexvisier, das mithilfe eines roten LED einen roten Punkt auf das runde Glasfenster projiziert. Wenn Sie durch das Starpointer-Fenster schauen, sehen Sie den roten Punkt mit Ihrem Zielobjekt überlagert. Nach dem ersten Aufbau Ihres Teleskops müssen Sie das Sucherfernrohr an der Hauptoptik Ihres Teleskops ausrichten. Obwohl dies auch bei Nacht vorgenommen werden kann, ist es bei Tag bedeutend einfacher. Einmal ausgerichtet, muss Ihr Sucherfernrohr nicht erneut ausgerichtet werden, es sei denn, es wird einem Stoß ausgesetzt oder fällt um.

Installation des Starpointer-Sucherfernrohrs:

1. Nehmen Sie Ihr Teleskop bei Tag nach draußen. Suchen Sie mit dem bloßen Auge ein leicht erkennbares Objekt, wie eine Straßenlaterne, ein Autokennzeichen oder einen hohen Baum. Das Objekt sollte 400 Meter oder weiter entfernt sein.
2. Nehmen Sie die große Schutzabdeckung vom Teleskop ab und vergewissern Sie sich, dass das 20-mm-Okular angebracht ist.
3. Schwenken Sie das Teleskop nach links und rechts bzw. auf und ab, um das in Schritt 1 gewählte Objekt grob anzuvisieren.
4. Schauen Sie durch das Okular Ihres Teleskops und schwenken Sie dieses manuell, bis das ausgewählte Objekt im Zentrum des Sichtfelds liegt. Wenn das Bild unscharf ist, drehen Sie langsam am Fokussierknopf, bis das Bild scharf gestellt ist.
5. Sobald das Objekt im 20-mm-Okular zentriert ist, können Sie das Sucherfernrohr einschalten, indem Sie den Netzschalter/Helligkeitsregler seitlich am Instrument so weit wie es geht, drehen.
6. Stellen Sie sich etwa 30 cm hinter den Sucherfernrohr auf, schauen durch das runde Fenster und suchen den roten Punkt. Dieser befindet sich höchstwahrscheinlich nahe, jedoch nicht direkt auf dem Objekt, das Sie durch das 20-mm-Okular betrachten.
7. Drehen Sie nun, ohne das Teleskop zu bewegen, an den beiden Einstellknöpfen seitlich und unterhalb des Sucherfernrohrs. Mit einem steuern Sie die Links-Rechts-Bewegung und mit dem anderen die Auf- und Abbewegung des Fadenkreuzes. Stellen Sie beide so ein, dass der rote Punkt direkt über dem Objekt erscheint, das Sie im 20-mm-Okular betrachten.

Visieren Sie nun einige andere entfernte Zielobjekte an, um das Ausrichten Ihres Teleskops zu üben. Schauen Sie durch das Starpointer-Sucherfernrohrfenster und führen den roten Punkt über das Zielobjekt; vergewissern Sie sich, dass es im 20-mm-Okular des Suchers erscheint.

HINWEIS: Achten Sie darauf, dass Sie das Starpointer-Sucherfernrohr ausschalten, wenn Sie es nicht verwenden, um den Akku zu schonen.

DAS TELESKOP AUSBALANCIEREN

Um eine ungebührliche Belastung der Montierung zu vermeiden, muss das Teleskop an der Polachse richtig ausbalanciert werden. Ausbalancieren der Montierung in der DEK-Achse:

1. Überzeugen Sie sich, dass das Teleskop richtig an der Montierung befestigt ist, wobei die Schwalbenschwanz-Montageknöpfe fest sitzen sollen.
2. Lassen Sie den RA-Kupplungsknopf los, damit sich das Teleskop frei in der RA-Achse drehen kann.
3. Drehen Sie das Teleskop in der RA-Achse, sodass der Teleskoptubus auf der Seite der Montierung ist und die Gegengewichtsstange parallel zum Boden steht.
4. Allmählich das Teleskop loslassen und nachsehen, welche Seite schwerer ist - die Seite mit dem Teleskoptubus oder die Seite mit dem Gegengewicht.
5. Wenn die Gegengewichtsseite schwerer ist, lösen Sie den Gegengewichtsverriegelungsknopf und schieben Sie das Gegengewicht etwas weiter auf die Stange (in Richtung Teleskoptubus), verriegeln Sie das Gegengewicht in seiner neuen Position und testen es erneut.
6. Wenn die Seite des Teleskoptubus schwerer ist, lösen Sie den Gegengewichtsverriegelungsknopf und schieben Sie das Gegengewicht auf der Stange (vom Teleskoptubus weg) etwas herunter, verriegeln Sie das Gegengewicht in seiner neuen Position und testen es erneut.
7. Halten Sie die Position des Gewichts so, bis Sie das Teleskop loslassen können und es sich nicht mehr nach oben oder unten dreht.

Ausbalancieren des Teleskops in der DEK-Achse:

1. Stellen Sie das Teleskop in der gleichen Position, wie für den RA-Ausgleichstest angegeben ist, auf, oben mit dem Teleskoptubus auf einer Seite der Montierung und der Gegengewichtstange parallel zum Boden. Verriegeln Sie den RA-Kupplungsknopf, um das Teleskop in seiner Position festzustellen.
2. Den Teleskoptubus mit einer Hand gut festhalten, den DEK-Kupplungsknopf lösen und das Teleskop parallel zum Boden drehen.
3. Langsam den Teleskoptubus loslassen und sehen, ob das Teleskop beginnt, sich nach oben oder nach unten zu drehen, dann verriegeln Sie den DEK-Kupplungsknopf, um den Tubus an der richtigen Position festzustellen.
4. Wenn die Nase des Teleskops nach oben zeigt, ist der Tubus rücklastig und der Ausgleichspunkt muss geändert werden. Lösen Sie die Befestigungsschrauben des Teleskoptubus und schieben Sie den Schwalbenschwanz leicht nach vorne. Ziehen Sie die Schwalbenschwanz Montageschrauben fest und testen noch einmal.
5. Wenn die Nase des Teleskops nach unten zeigt, ist der Tubus vorderlastig und der Ausgleichspunkt muss geändert werden. Lösen Sie die Befestigungsschrauben des Teleskoptubus und schieben Sie den Schwalbenschwanz leicht nach hinten. Ziehen Sie die Schwalbenschwanz Montageschrauben fest und testen noch einmal.
6. Halten Sie die Position der Schwalbenschwanzleiste so, bis Sie das Teleskop loslassen können und es sich nicht mehr nach oben oder unten dreht.

HINWEIS: Bei den 114-mm und 130-mm-Newtonteleskopen können Sie den Ausgleichspunkt des Teleskops einstellen, ohne die Schwalbenschwanzleiste zu bewegen. Lösen Sie einfach die silbernen Schrauben, die den Teleskoptubus in den Tubusringen festhalten. Sie können dann innerhalb der Ringe den Teleskoptubus vorwärts oder rückwärts schieben. Wenn der Ausgleichspunkt erreicht ist, ziehen Sie die Tubusringschrauben an, um sie zu fixieren. Sie können auch den Tubus innerhalb der Tubusringe mit dieser Methode drehen, um das Okular in einem bequemen Winkel für die Anzeige zu positionieren.



RA-Achse



DEK-Achse

POLAUSRICHTUNG

Mit Ihrer parallaktischen Montierung können Sie himmlische Ziele leicht verfolgen, indem Sie den RA-Zeitlupeuregler drehen oder indem Sie einen optionalen motorischen Antrieb benutzen, der sie für Sie dreht. Damit die Montierung dies genau ausführen kann, muss die Montierung "polar ausgerichtet" oder so eingestellt sein, dass die RA-Achse parallel zur Erdachse liegt. Das klingt komplizierter als es ist und nachdem Sie es ein paar Mal wiederholt haben, wird es zu Ihrer zweiten Natur werden. Der erste Schritt der polaren Ausrichtung besteht darin, die Montierung auf die richtige Breitengrad-Einstellung für Ihren Beobachtungsstandort einzustellen.

So legen Sie den Breitengrad an der Montierung fest:

1. Stellen Sie die Höhe der drei Stativbeine so ein, dass Ihre Montierung waagrecht steht. Das Augenmaß ist ausreichend.
2. Ihren Breitengrad auf der Erde bestimmen. Wenn Sie ein GPS-fähiges Gerät haben, z. B. ein Tablet oder ein Smartphone, sollte es Ihnen möglich sein, Ihren Breitengrad direkt von Ihrem Gerät abzulesen. Wenn nicht, können Sie diese Informationen im Internet finden.
3. Suchen Sie die Breitengradskala, die sich auf der Seite der parallaktischen Montierung nahe der Basis befindet.
4. Verwenden Sie den Schiebegriff, um den Breiteneinstellknopf zu lockern, indem Sie ihn gegen den Uhrzeigersinn drehen.
5. Stellen Sie die Breiteneinstellschraube an der Rückseite der Halterung ein, indem Sie sie im Uhrzeigersinn oder gegen den Uhrzeigersinn drehen, bis der Zeiger über der Höhenskala auf Ihren Breitengrad auf der Erde zeigt.

Beispiel: In Los Angeles, Kalifornien, ist unser Breitengrad 33 Grad.

6. Sobald Sie Ihren Breitengrad richtig eingestellt haben, ziehen Sie den Breiteneinstellknopf fest, indem Sie ihn im Uhrzeigersinn drehen.

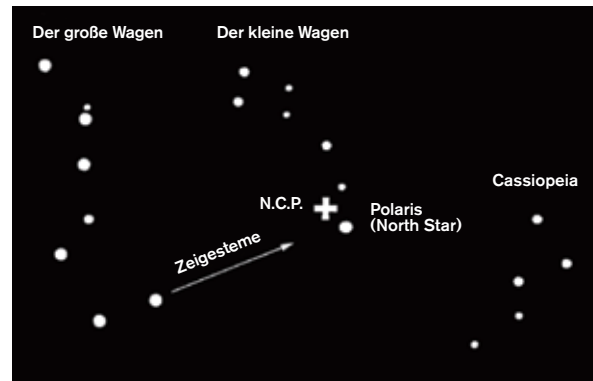
HINWEIS: Diese Breitengrad-Einstellung muss im Allgemeinen nur einmal durchgeführt werden, wenn Sie Ihr Teleskop jedes Mal an der gleichen Stelle zur Beobachtung aufstellen. Das einzige Mal, wenn Sie ändern müssen, ist, wenn Sie mit dem Teleskop weit genug nach Norden oder Süden, in einen anderen Breitengrad reisen und nun ändern müssen. Das sind ungefähr 112 km. Kleine Änderungen, wie das Verschieben des Bereichs von Ihrem Vorgarten zu Ihrem Hinterhof oder sogar zu anderen Plätzen innerhalb einer Stadt, erfordern keine Breitengradänderung.



Mit Ihrer Stativhöhe und Ihrem Breitengrad müssen Sie nur noch, die Montierung so drehen, dass die Polachse (die Rotationsachse RA) nach Norden zeigt. Um dies zu tun:

1. Stellen Sie das Teleskop so auf, dass sich der Teleskoptubus direkt über der parallaktischen Montierung befindet und die Vorderseite des Teleskoptubus direkt über die Gegengewichtstange zeigt. Verriegeln Sie den RA-Kupplungsknopf, um das Teleskop in dieser Position festzustellen.
2. Suchen Sie den Norden. Es gibt zwei Möglichkeiten, dies zu tun:
 - a. Verwenden Sie einen magnetischen Kompass oder eine Smartapp, um den magnetischen Norden zu finden. Das ist die leichteste Methode, aber leidet keine genaue. Der Magnetische Norden kann bis zu 15 Grad vom echten Norden abweichen. Dies ist immer noch eine gute Methode, um schnell loslegen zu können, da einige Kompassapps für intelligente Geräte magnetische Variationen kompensieren und den echten Norden zeigen können.

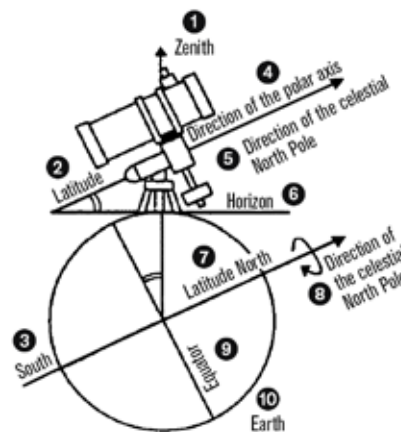
b. Wenn Sie mehr Zeit und ein wenig Wissen über den Nachthimmel haben, können Sie tatsächlich den geografischen Norden auf der Suche nach dem Großen Wagen und/oder der Konstellation Cassiopeia finden. Der Stern Polaris, der Polarstern liegt etwa 0,8 Grad vom nördlichen Himmelspol weg und ist hell genug um ihn selbst im Vorstadthimmel mit bloßem Auge zu finden. Suchen Sie nach den beiden Sternen, die das Ende des Großen Wagens bilden und ziehen durch sie eine gerade Linie und sie kommen direkt zu Polaris. Wenn Sie den Polarstern als geografischen Norden verwenden, kommen Sie der exakten Polausrichtung sehr Nahe.



3. Lösen Sie ein wenig den Drehknopf zwischen den drei Stativbeinen, die die EQ-Halterung am Stativkopf halten. Lösen Sie diese gerade soviel, um die Montierung im Stativkopf zu drehen.

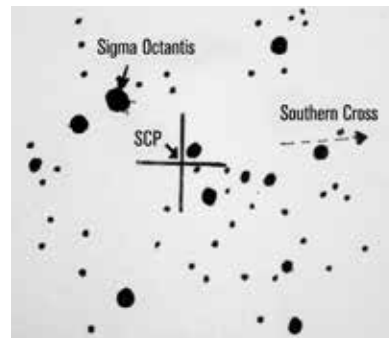
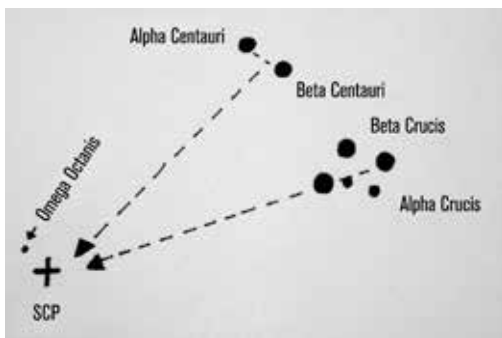
4. Nehmen Sie die parallaktische Montierung und drehen Sie sie, bis der optische Tubus in die gleiche Richtung, wie der Kompass zeigt. Wenn Sie die Polarstern-Methode verwendet haben, drehen Sie die Montierung, bis Sie den Blick über die ganze Länge des Tubus haben und Polaris sehen.

5. Sobald die Montierung nach Norden ausgerichtet ist, ziehen Sie den Knopf, der die Montierung mit dem Stativ verbindet, fest, um sie in der Position festzustellen.



1. Zenit
2. Breitengrad
3. Süd
4. Richtung der Polachse
5. Richtung des Himmelsnordpols
6. Horizont
7. Breitengrad Nord
8. Richtung des Himmelsnordpols
9. Äquator
10. Erde

HINWEIS: Wenn Sie in der südlichen Hemisphäre sind, verwenden Sie lieber einen Kompass, um den südlichen Himmelspol zu orten. Drehen Sie die Montierung, bis das Teleskop nach Süden zeigt, wenn Sie einen Kompass verwenden. Anstatt Polaris können Sie den Stern Sigma Octantis benutzen. Das Kreuz des Südens ist ein guter Führer, um diesen Stern zu finden.



Mit der Montierung polar ausgerichtet, haben Sie es sehr leicht, Objekte zu verfolgen, wie sie langsam über den Himmel ziehen, so wie die Erde unter ihnen rotiert. Sie können auch Objekte mithilfe der Einstellung mit Teilkreisen auf der Montierung finden. Weitere Informationen über die Einstellung mit Teilkreisen finden Sie im Abschnitt am Ende des Handbuchs mit dem Titel "Ein Wort zur Einstellung mit Teilkreisen".

IHRE ERSTE ASTRONOMISCHE BEOBACHTUNG

DER MOND

Jetzt können Sie Ihr Teleskop bei Nacht nach draußen nehmen und ans Beobachten gehen!

Fangen wir mit dem Mond an. Der Mond benötigt für einen vollständigen Phasenzyklus vom Neumond über den Vollmond und wieder zum Neumond ungefähr einen Monat. Versuchen Sie, ihn zu verschiedenen Stadien dieses Zyklus zu beobachten.

Obwohl sich der Mond immer, wenn er sichtbar am Himmel steht, als Beobachtungsobjekt eignet, ist die beste Zeit zwei Tage nach Neumond bis ein paar Tage vor Vollmond. Innerhalb dieses Zeitfensters zeigen sich Krater und Mondgebirge am detailreichsten. Schauen Sie in einem Kalender nach, wann der nächste Neumond ist.

1. Bauen Sie Ihr Teleskop mit dem 20-mm-Okular auf, sobald Sie eine freie Sicht auf den Mond haben.
2. Schalten Sie das Sucherfernrohr ein und schauen Sie hindurch, um die roten Punkte auszumachen.
3. Schwenken Sie Ihr Teleskop, bis Sie den Mond durch das Sucherfernrohr-Fenster sehen können und sich der rote Punkt mittig auf dem Mond befindet.
4. Schauen Sie durch das 20-mm-Okular. Drehen Sie vorsichtig an den Fokussierknöpfen, um das Bild scharf zu stellen.

HERZLICHEN GLÜCKWUNSCH! SIE HABEN GERADE IHR ERSTES HIMMELSOBJEKT BEOBACHTET!

Sie können mithilfe dieser grundlegenden Technik viele weitere Himmelsobjekte, wie Planeten, Sternhaufen und Nebel beobachten.

TIPPS FÜR HIMMELSBEOBACHTUNG

Dieser Abschnitt behandelt visuelle Beobachtungshinweise sowohl für das Sonnensystem als auch für die Deep-Sky-Objekte sowie allgemeine Bedingungen, die Ihre Beobachtungsfähigkeit beeinflussen.

VERGRÖßERUNG

Sie können die Vergrößerung Ihres Teleskops ändern, indem Sie einfach die Okulare wechseln. Sowohl Teleskope als auch Okulare haben Brennweiten, die in Millimeter gemessen werden. Um die Vergrößerung einer Teleskop- und Okularkombination zu berechnen, nehmen Sie die Brennweite des Teleskops und teilen sie durch die Brennweite des Okulars. Das Ergebnis ist der Vergrößerungsfaktor.

Zum Beispiel hat der AstroMaster 90EQ eine Brennweite von 1000 mm mit dem 20-mm-Okular:

$$\text{Vergrößerung} = \frac{\text{Brennweite des Teleskops}}{\text{Brennweite des Okulars}} = \frac{1000 \text{ mm}}{20 \text{ mm}} = 50 \times$$

GESICHTSFELD

Die Bestimmung des Gesichtsfelds ist wichtig, wenn Sie sich eine Vorstellung von der Winkelgröße des beobachteten Objekts machen wollen. Zur Berechnung des tatsächlichen Gesichtsfelds dividieren Sie das scheinbare Gesichtsfeld des Okulars (vom Hersteller des Okulars angegeben) durch die Vergrößerung.

Anhand des Beispiels im vorherigen Abschnitt können wir das Gesichtsfeld mit dem gleichen 20-mm-Okular bestimmen. Das 20-mm-Okular hat ein scheinbares Gesichtsfeld von 40°.

$$\text{Tatsächliche Gesichtsfeld} = \frac{\text{Scheinbares Gesichtsfeld des Okulars}}{\text{Vergrößerung}} = \frac{40^\circ}{50} = 0,8^\circ$$

Das 20-mm-Okular hat ein scheinbares Gesichtsfeld von 40°. Teilen Sie die 40° durch die Vergrößerung, d. h. mit 50. Dies ergibt ein tatsächliches Gesichtsfeld von 0,8 Grad oder 48 Bogenminuten.

DIE PLANETEN

Zusätzlich zum Mond können Sie mit Ihrem Teleskop die 5 hellsten Planeten beobachten. Da Planeten ihre Position vor dem Hintergrund der Sterne ändern, müssen Sie möglicherweise, Quellen im Internet zurate ziehen oder Sie verwenden ein Planetariumapp auf einem Smartgerät, um herauszufinden, wo die Planeten sind.

Hier sind einige Planeten aufgezählt, die Sie finden können:

- **Merkur und Venus-** Genau wie der Mond, gehen die beiden inneren Planeten durch Phasen dünner Halbmonde bis zu Dreiviertelmondphasen.
- **Mars-** wenn Mars nahe der Opposition ist (der Punkt in seiner Umlaufbahn, wo er der Erde am nächsten ist), sollten es möglich sein, die Polarkappe und möglicherweise einige größere Flächeneigenschaften zu erkennen, die als dunkle Markierungen auf der Oberfläche erscheinen.
- **Jupiter-** Suchen Sie nach den dunkleren Methan-Wolkenbändern, die den Planeten ober- und unterhalb des Äquators umkreisen. Wenn der Große Rote Fleck der Erde zugewandt ist, können Sie mit etwas Glück einen Blick darauf werfen. Sie können auch die vier hellsten Monde des Jupiter - Io, Europa, Ganymed und Callisto sehen. Es macht Spaß diese Monde zu beobachten, weil sie sich nur innerhalb von Stunden merklich bewegen können. Gelegentlich reisen sie hinter Jupiter oder in seinen Schatten und verschwinden dann wieder eine Zeit lang. Sie überqueren den Jupiter und Sie könnten vielleicht den Schatten der Monde beim Überqueren sehen. Es gibt einige nützliche Anwendungen für Smartgeräte, die Ihnen bei der Vorhersage helfen können, wann der Große Rote Fleck gesehen werden kann, sowie wann andere interessante Ereignisse sind.
- **Saturn-** Die Ringe! Der Saturn ist wohl eines der schönsten Objekte, das mit einem Teleskop beobachtet werden kann. Wenn die Bedingungen stabil genug sind, können Sie sogar den Schatten der Ringe auf dem Planeten und den Schatten des Planeten auf den Ringen sehen. Es sollte möglich sein, den Titan zu sehen, der hellste, größte Mond des Saturn.

DEEP-SKY-OBJEKTE

Deep-Sky-Objekte (extrasolare Objekte) sind all die Objekte außerhalb der Grenzen unseres Sonnensystems. Sie umfassen Sternhaufen, planetarische Nebel, diffuse Nebel, Doppelsterne (Double Stars) und andere Galaxien außerhalb unserer eigenen Milchstraße. Objekte wie Nebel und Galaxien können ziemlich groß sein, aber sie sind nur als schwache Objekte zu erkennen. Um die beste Sicht zu bekommen, müssen Sie sicherstellen, dass Sie in den dunkelsten Himmel wie möglich blicken. Je weiter weg Sie von den Lichtern der Stadt sind, desto besser werden Sie diese Objekte im Okular sehen. In den Fotografien von Nebeln und Galaxien können Sie lebhafte Rot- und Blautöne sehen. Mit dem Okular sind diese Farben nicht sichtbar. Die farbigen Bilder sind mit Langzeitbelichtung von über 15-60 Minuten aufgenommen, da das Auge nur Daten des Augenblicks erfasst. Digitale Sensoren sind viel empfindlicher im Rot und Blau Bereich, während das menschliche Auge im grünen Teil des Spektrums am empfindlichsten ist. Trotzdem können Sie den sanften Glanz der Andromeda-Galaxie und die Ausdehnung des Orionnebels sehen.

WITTERUNGSBEDINGUNGEN

Witterungsbedingungen können die Leistungsfähigkeit Ihres Teleskops auf dreierlei Weise erheblich beeinträchtigen.

- **Windstill-** An windigen Tagen scheinen die Bilder vom Mond und den Planeten im Okular zu wanken oder zu springen, wie wenn man sie durch sich bewegendes Wasser betrachtet. In windstillen Nächten die besten Vergrößerungsansichten der Planeten und des Mondes zu sehen. Die beste Möglichkeit, die Stabilität der Atmosphäre zu beurteilen, ist, helle Sterne mit bloßem Auge zu betrachten. Wenn sie "blinken" oder die Farben sich schnell ändern, ist die Luft instabil und Sie sind mit niedrigeren Energien besser dran und suchen nach tiefer liegenden Himmelsobjekten. Wenn die Sterne scharf sind und nicht funkeln, ist die Luft stabil und sollte großartige Planetenansichten mit höherer Vergrößerung bieten.
- **Transparenz-** Wie klar ist die Luft durch die Sie schauen? Wenn es eine hohe Luftfeuchtigkeit in der Luft gibt, erreicht das schwache Licht aus Galaxien und Nebeln zerstreut und diffus Ihr Teleskop, was einen Verlust an Helligkeit verursacht. Verunreinigungen in der Luft von lokalen Waldbränden oder sogar weit entfernten Vulkanausbrüchen können zu einem großen Verlust von Helligkeit beitragen. Manchmal können diese Feuchtigkeit oder Verunreinigungen helfen, die Luft zu stabilisieren, sodass es gute Planeten- und Mondbilder gibt, aber der Verlust von Licht macht es schwierig, schwächere Deep-Sky-Objekte zu sehen.
- **Helligkeit des Himmels-** Das Umgebungslicht in der Atmosphäre kann sich auch auf die Deep-Sky-Beobachtung auswirken. Wie dunkel der Himmel ist, kann von Ihrer Umgebung abhängen. In der Mitte einer Stadt kann das Himmelsglühen, das durch die Stadtlichter verursacht wird und vom Himmel zur Erde reflektiert wird, das schwache Licht von den entfernten Galaxien überstrahlen. Weit weg von den hellen Lichtern einer großen Stadt kann den Unterschied machen, zwischen dem Sehen eines schwachen Deep-Sky-Objekt oder gar nichts sehen. Die Planeten und der Mond sind selbst hell genug, sodass es sich auf die Beobachtung kaum auswirkt.

AUSWAHL EINER BEOBACHTUNGSSTELLE

Wenn Sie Deep-Sky-Objekte beobachten möchten wie Galaxien und planetarische Nebel, sollten Sie in Betracht ziehen, sie von einem Standort mit dunklem Himmel zu beobachten. Dies sollte weit weg von den Lichtern der Stadt, mit relativ ungehindertem Blick auf den Horizont und nicht in Windrichtung von jeglichen Luftverschmutzungsquellen. Gehen Sie immer große Höhen, so hoch wie möglich, da dies die Auswirkungen atmosphärischer Instabilität senken kann und Sie können sicher gehen, dass Sie über jedem Bodennebel sind. Es ist wohl wünschenswert das Teleobjektiv zu einer Stelle mit dunklem Himmel zu nehmen, doch das ist nicht immer notwendig. Wenn Sie planen Planeten, den Mond oder sogar einige der helleren Deep-Sky-Objekte zu beobachten, können Sie dies von jedem Standort wie Ihren eigenen Hinterhof tun. Versuchen Sie sich an einem Ort einzurichten, der abseits der Straßenlaternen oder Hausbeleuchtungen sind, um Ihre gute Sicht bei Nacht zu sichern. Vermeiden Sie etwas zu beobachten, das innerhalb von 5 bis 10 Grad über dem Dach eines Gebäudes liegt. Dächer absorbieren während des Tages Wärme und strahlen diese Wärme in der Nacht ab. Dies könnte dazu führen, dass eine Schicht turbulenter Luft direkt über dem Gebäude Ihr Bild verschlechtern kann. Es ist am besten, wenn Sie Ihr Teleskop direkt auf Erdboden oder grasbewachsener Fläche aufstellen. Eine erhöhte Plattform wie ein Holzdeck oder eine harte Oberfläche wie Beton oder Bürgersteig sollte vermieden werden, da sie Vibrationen leicht übertragen, die wiederum auf das Teleskop übertragen werden können.

Die Beobachtung durch ein Fenster ist nicht empfehlenswert, da die Fensterscheibe die Bilder erheblich verzerren wird. Und ein offenes kann noch schlimmer sein, weil wärmere Raumluft aus dem Fenster entweicht, was Turbulenzen verursacht, die auch Bilder beeinträchtigen. Astronomie ist eine Outdoor-Aktivität.

AUSWAHL DER BESTEN BEOBACHTUNGSZEIT

Es ist nicht ideal direkt nach Sonnenuntergang den Himmel beobachten. Nachdem die Sonne untergegangen ist, ist die Erde noch am Abkühlen und verursacht Turbulenzen in der Luft. Je weiter die Nacht fortschreitet, wird sich nicht nur die Sicht verbessern, um so mehr reduzieren sich die Nachtbeleuchtungen und die Luftverschmutzung. Die beste Beobachtungszeit ist oft in den frühen Morgenstunden vor der Morgendämmerung. Objekte werden am besten beobachtet, wenn sie den Meridian kreuzen, die imaginäre Linie, die von Norden nach Süden durch einen Punkt direkt über Ihrem Kopf verläuft. Dies ist der Punkt, an dem die Objekte ihre maximale Höhe im Zenit erreichen und Sie, wenn Sie durch Ihr Teleskop schauen am wenigsten Atmosphäre haben. Objekte, die in der Nähe des Horizonts steigen oder sinken, sind mehr atmosphärische Turbulenzen ausgesetzt, da Sie durch eine viel längere Luftsäule schauen. Es ist nicht immer notwendig, einen wolkenfreien Himmel zu haben, wenn man Planeten oder den Mond betrachtet. Oft bieten aufgebrochene Wolkenverhältnisse ausgezeichnetes Sicht.

DAS TELESKOP ABKÜHLEN

Teleskope brauchen mindestens 10 Minuten, um auf die Außenlufttemperatur abzukühlen. Dies kann länger dauern, wenn ein großer Temperaturunterschied zwischen Teleskop und Außenluft besteht. Dies minimiert die Hitzewellenverzerrung im Teleskoptubus (Röhrenströme).

AUGEN ANPASSEN

Wenn Sie planen Deep-Sky-Objekte von einem Standort mit dunklem Himmel zu beobachten, ist es am besten, wenn Sie Ihren Augen Zeit geben, sich völlig an das Dunkel anzupassen, indem Sie vermeiden sich weißen Lichtquellen auszusetzen wie Blitzlicht, Scheinwerfer, Straßenlaternen usw. Es wird ca. 30 Minuten dauern, bis sich Ihre Pupillen maximal erweitert haben und sich die optischen Pigmente aufgebaut haben, um das schwache Licht von einem weit entfernten Ziel zu sehen. Wenn Sie Licht brauchen, um Ihr Teleskop in der Dunkelheit aufzubauen, versuchen Sie es mit einer roten LED-Taschenlampe bei so niedriger Helligkeit wie möglich und vermeiden Sie direkt in die Lichtquelle zu schauen. So haben Sie die größte Chance diese schwach leuchtenden Deep-Sky-Objekte zu erfassen.

Beim Beobachten ist es wichtig, dass Sie beide Augen geöffnet haben. Dies vermeidet Augenermüdung am Okular. Wenn Sie finden, dass dies zu sehr ablenkt, bedecken Sie Ihr unbenutztes Auge mit der Hand oder mit einer Augenklappe. Die Pupillen arbeiten gut bei hellem Tageslicht, aber ist der am wenigsten empfindliche Teil des Auges, wenn man versucht feine Details bei schlechten Lichtverhältnissen zu sehen. Wenn Sie durch das Okular ein schwach leuchtendes Objekt sehen möchten, dann schauen Sie nicht direkt darauf. Stattdessen Schauen Sie auf den Rand des Gesichtsfeldes und das Objekt wird heller erscheinen.

ASTROBILD

Eine der ersten Fragen, die die meisten Menschen über ihr neues Teleskop stellen, ist: "Wie kann ich Bilder aufnehmen?" Mit Ihrem Teleskop können Sie Aufnahmen von Mond und Planeten machen, aber für Aufnahmen von Deep-Sky-Objekten benötigen Sie ein fortschrittlicheres Teleskop und eine Montierung mit fein verzahnter motorischer Nachführung. Es gibt verschiedene Möglichkeiten, Ihr Teleskop für die Bildgebung zu verwenden:

- **Smartgeräte oder Kompaktkameras-** Dies ist die einfachste und geradlinigste Methode und funktioniert gut für Aufnahmen von Mond und Planeten. Halten Sie einfach Ihre Kamera an das Okular und machen eine Aufnahme. Dazu können Sie jedes Okular verwenden, im allgemeinen ist es jedoch einfacher mit einem Okular mit einer längeren Brennweite eine Aufnahme zu machen. Sie benötigen eine ruhige Hand, um das Telefon an das Okular zu halten, Sie können jedoch gute Resultate erhalten.
- **DSLR-** Celestron bietet Adapter, mit denen Sie am Teleskop an Stelle des Okulars eine Canon oder Nikon DSLR befestigen können. In dem Fall würden Sie Ihr Teleskop als Teleobjektiv verwenden. Dazu benötigen Sie einen T-Adapter für das Teleskop und einen T-Ring für das Kameragehäuse. Weitere Informationen über die Adapter für Ihr spezifisches Teleskopmodell finden Sie unter www.celestron.com.
- **CMOS Planetenaufnahmen-** Dies sind spezialisierte Kameras, die das Okular in Ihrem Teleskop ersetzen. Sie könnten es mit dem Laptop über den USB-Anschluss verbinden. Die Kamera zeichnet Videos des Planeten auf, dann bricht die mitgelieferte Software die Videodatei in einzelne Einzelbilder auf. Die Software kombiniert dann die einzelnen Frames zu einem einzigen Bild, das mehr Details enthält, als in jedem einzelnen Frame sichtbar war. Diese Methode kreiert Ihnen bestmögliche Mond- und Planetenbilder, aber erfordert, dass Sie ein Laptop haben. Weitere Information über die Schrittkamera finden Sie unter www.celestron.com.

ZUBEHÖR FÜR DIE DEEP-SKY-BEOBACHTUNG

Es gibt einige Werkzeuge, die unentbehrlich für die Identifizierung und Lokalisierung von Deep-Sky-Objekten sind.

- **Rote Taschenlampe-** Dies ist ein wichtiges Werkzeug für die Deep-Sky-Astronomie für das Lesen von Sternkarten oder Sternatlanten. Um das schwache Licht, das von fernen Objekten wie Nebel oder Galaxien kommt, zu sehen, müssen Ihre Augen vollkommen dunkel sein, wobei Ihre Iris so weit geöffnet sind, dass sie am Lichtempfindlichsten sind. Beim weißen Licht einer normalen Taschenlampe schließen sich die Pupillen und es braucht wieder eine halbe Stunde, bis die Augen wieder die volle Lichtempfindlichkeit erreicht haben. Rote Lichter haben nicht die gleiche Wirkung. Wir empfehlen eine rote LED-Taschenlampe, die einstellbare Helligkeit hat, denn auch übermäßig helle rotes Licht kann Ihre Nachtsicht beeinträchtigen. Sie finden diese beim Teleskop Einzelhändler, aber auch bei Camping- und Baumärkten.
- **Planisphäre-** Eine Planisphäre ist eine spezielle kreisförmige Sternkarte, die Ihnen die grobe Platzierung der Konstellationen über dem Kopf zeigt, sodass Sie über den Himmel navigieren können. Im Gegensatz zu Diagrammen, die im Internet heruntergeladen und drucken können, sind Planisphären gut für jede Zeit des Jahres, nicht nur für das Datum oder den Monat, in dem es gedruckt wurde. Die Planisphäre, eine drehbare Sternkarte, besteht aus zwei runden Scheiben, die in der Mitte verbunden. Die untere Scheibe ist eine Karte mit Konstellationen, während die obere Scheibe ein ausgeschnittenes Fenster hat, das einen Teil der Sternkarte zeigt. Drehen Sie die obere und untere Scheibe, bis Sie Ihr bestimmtes Datum und Uhrzeit haben, die Karte wird nur die Konstellationen anzeigen, die zu dieser Zeit sichtbar sind. Dies ist praktisch, um die hellen Sterne und Konstellationen zu finden. Planisphären sind in Buchhandlungen erhältlich und stehen für eine Reihe von geografischen Breiten in den nördlichen oder südlichen Hemisphären zur Verfügung. Überzeugen Sie sich, dass Sie eine herausuchen, die für Ihren Standort geeignet ist. Um darüber detailliertere Informationen zu erhalten, wo sich Deep-Sky-Objekte innerhalb von Konstellationen befinden, benötigen Sie einen Sternatlas.
- **Sternatlas-** Sternatlanten sind die Straßenkarten des Himmels. Sobald Sie eine Konstellation mit Ihrer Planisphäre gefunden haben, zeigt Ihnen der Sternatlas eine detaillierte, genaue Ansicht dieser Region des Himmels mit den Sternen und Deep-Sky-Objekten, die sich dort befinden. Diese sind bei Teleskop-Einzelhändlern oder Buchhandlungen erhältlich.
- **Apps und Programme-** Es gibt viele Anwendungen für Smartphones oder Tablets, die Sie anstelle der Planisphäre und Sternkarten nehmen können. Diese geben digitale Darstellungen des Nachthimmels auf Ihrem Gerät wieder, sodass Sie einen Blick auf eine vergrößerte Ansicht mit einem Tippen auf den Bildschirm sehen. Sie können diese von Ihrem App-Anbieter herunterladen oder kaufen, abhängig von der Plattform. Es gibt auch für Ihren Computer einige großartige astronomische Himmelssimulationsprogramme, die Ihnen sehr ausführliche Sternkarten auf dem Monitor zeigen und Ihnen dabei helfen kann, eine Beobachtungssitzung zu planen, bevor Sie nach draußen gehen, mit besonders angefertigten Sternkarten für Ihr Datum, Position und Uhrzeit.

STARHOPPING

Die einfachste Weise, Himmelsobjekte aufzufinden, ist eine Technik, die Sternhüpfen genannt wird. Das erste, was Sie tun müssen, ist das Gesichtsfeld Ihres Sucherfernrohrs zu messen. Schauen Sie in den Himmel und suchen eine Konstellation mit hellen Sternen. Sie können Ihre Planisphäre oder Astronomieapp verwenden, um sie zu identifizieren. Dann suchen Sie die Karte dieser Konstellation in Ihrem Sternatlas. Zentrieren Sie Ihr Sucher auf den hellen Stern, den Sie auf der Sternkarte erkennen können. Halten Sie den Kopf 12 Zoll hinter das reflektierende Fenster Ihres Starpointer-Sucherfernrohrs und verschieben Sie das Teleskop, sodass der helle Stern am Rand des Feldes ist, wenn Sie auf dieses Fenster schauen (es spielt keine Rolle, welche Richtung Sie auswählen). Schauen Sie durch das Sucherfernrohrfenster, ohne das Teleskop zu bewegen und suchen einen anderen Stern im Bereich des gegenüberliegenden Randes des Gesichtsfeldes. Lokalisieren Sie den zweiten Stern auf der Karte. Messen Sie mit einem Lineal den Abstand zwischen diesen beiden Sternen auf der Karte. Dieser Abstand auf Ihrem Atlas repräsentiert ein Gesichtsfeld des Sucherfernrohrs. Sie können jetzt diese Messung dazu verwenden, um himmlische Objekte zu lokalisieren.

PFLEGE UND REINIGUNG DES TELESKOPS

Ihr Teleskop erfordert wenig Pflege, aber einige Punkte sollten Sie dennoch beachten, um sicherzugehen, dass Ihr Teleskop optimale Leistung bringt. Gelegentlich kann sich Staub und/oder Feuchtigkeit auf dem Objektiv ansammeln. Wie bei jedem anderen Instrument ist die Reinigung mit besonderer Vorsicht durchzuführen, damit die Optik nicht beschädigt wird.

Wenn sich Staub auf der Optik aufgebaut hat, gehen Sie folgendermaßen vor, um Ihr Sucherfernrohr zu reinigen:

1. Verwenden Sie eine Kamelhaarbürste, um die größeren Partikel vorsichtig zu entfernen.
2. Nehmen Sie einen Saugball für Fotografen, um lose Partikel wegzublasen. Sie können auch ein Druckluftspray nehmen, wie sie zur Reinigung von Computertastaturen verwendet wird, aber Sie müssen dabei vorsichtig sein. Vermeiden Sie Dosen, die fast leer sind und achten Sie darauf, dass Sie das Druckluftspray vertikal halten. Andernfalls könnte Treibmittel auf die Optik sprühen. Halten Sie die optische Fläche ca. 2 bis 4 Sekunden schräg zum Druckluftspray.
3. Verwenden Sie eine frei erhältliche optische Reinigungslösung Isopropylalkohol und destilliertes Wasser in einer 50/50 Mischung. Geben Sie diese Lösung auf ein Papiertaschentuch ohne Duft, dann reinigen Sie damit die Optik. Mit geringem Druck von der Mitte der Linse (oder Spiegel) nach außen, immer in geraden Linien in einem Zug, wie Speichen in einem Rad.
NICHT mit einer Kreisbewegung reiben!

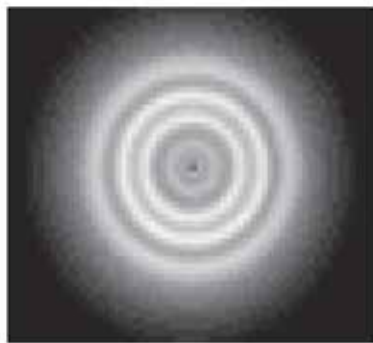
Während einer Beobachtungsperiode könnte sich Tau auf der Optik Ihres Teleskops bilden. Wenn Sie weiter beobachten möchten, muss der Tau entfernt werden, entweder mit einem Fön (bei niedriger Einstellung) oder indem das Teleskop auf den Boden gerichtet wird, bis der Tau verdunstet ist. Wenn im Innern der Optik Feuchtigkeit kondensiert, nehmen Sie die Zubehörteile vom Teleskop ab. Bringen Sie das Teleskop in eine staubfreie Umgebung und richten Sie es auf den Boden, bis die Feuchtigkeit verdunstet ist.

Setzen Sie nach dem Gebrauch alle Objektivabdeckungen wieder auf, um den Reinigungsbedarf Ihres Teleskops möglichst gering zu halten. Da die Teleskop tuben nicht abgedichtet sind, sollten alle Abdeckungen bei Nichtgebrauch auf die Öffnungen aufgesetzt werden. Auf diese Weise wird verhindert, dass Verunreinigungen in den optischen Tubus eindringen.

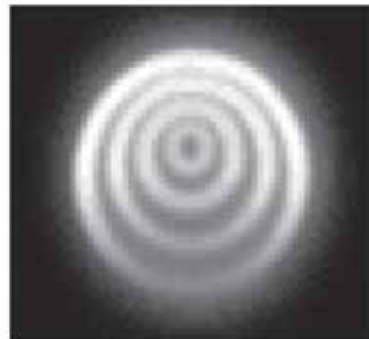
Interne Einstellungen und Reinigungen dürfen nur durch die Reparaturabteilung von Celestron ausgeführt werden. Wenn Ihr Teleskop eine interne Reinigung benötigt, wenden Sie sich telefonisch an das Werk, um sich eine Rücksendegenehmigungsnummer und ein Preisangebot geben zu lassen.

KOLLIMATION EINES NEWTONTELESKOPS

Während Ihr Teleskop wenig Wartung erfordert, gibt es einiges, was dennoch zu beachten ist, das sicherstellt, dass Ihr Teleskop die Kollimation durchführt, es ist ein Prozess zur Ausrichtung der Spiegel Ihres Teleskops, sodass sie in Übereinstimmung miteinander arbeiten, um richtig fokussiertes Licht auf Ihr Okular zu liefern. Beim Beobachten von unscharfen Sternbildern können Sie testen, ob Ihre Teleskopoptik ausgerichtet ist. Nehmen Sie einen Stern in die Mitte des Gesichtsfeldes und bewegen den Okularauszug, sodass das Bild leicht aus dem Fokus ist. Wenn die Beobachtungsbedingungen gut sind, sehen Sie einen zentralen Lichtkreis (die Airy Scheibe), die durch eine Reihe von Beugungsringen umgeben ist. Liegen die Beugungsringe symmetrisch um die Airy Scheibe, ist die Teleskop Optik korrekt kollimiert.



Richtig ausgerichtet

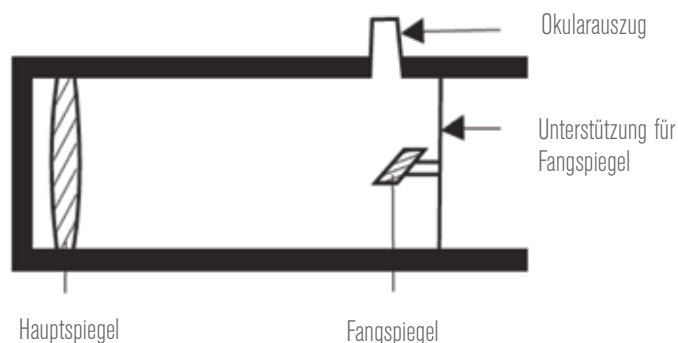


Muss kollimiert werden

Kollimation ist ein schmerzloser Prozess und funktioniert wie folgt:

Ziehen Sie den Objektivdeckel ab, der die Vorderseite des Teleskops bedeckt und schauen Sie in den optischen Tubus. An der Unterseite sehen Sie den Hauptspiegel, der durch drei Klemmen 120° auseinandergehalten wird, und an der Oberseite der kleine ovale Fangspiegel in seiner Halterung und um 45° in Richtung des Okularauszugs außerhalb der Tubuswand.

Der Fangspiegel wird durch Einstellen der drei kleineren Schrauben, die die zentrale Stellschraube umgeben, ausgerichtet. Der Hauptspiegel wird durch die drei Einstellschrauben an der Rückseite Ihres Teleskops eingestellt. Die drei Fixierschrauben daneben dienen dazu, den Spiegel nach der Kollimation an Ort und Stelle zu halten.



AUSRICHTUNG DES FANGSPIEGELS

Richten Sie Ihre Teleskop ohne Okular gegen eine beleuchtete Wand. Möglicherweise müssen Sie den Fokusdrehknopf etwas drehen, bis das reflektierte Bild des Okularauszugs aus Ihrer Sicht heraus ist. Halten Sie Ihr Auge an die Rückseite und auf die Fokusröhre zentriert. Achten Sie auf die drei Klemmen die den Hauptspiegel halten. Wenn Sie sie nicht sehen können, bedeutet dies, dass Sie die drei Schrauben auf der Oberseite der Halterung des Fangspiegels nachziehen müssen, eventuell mit einem Inbusschlüssel oder Kreuzschlitzschraubendreher. Sie müssen abwechselnd eine lösen und dann den Durchhang durch Anziehen der beiden anderen kompensieren. Hören Sie auf, wenn Sie alle drei Spiegelclips sehen. Überzeugen Sie sich, dass alle drei kleinen Ausrichtungsschrauben angezogen sind, um den Fangspiegel zu befestigen.



AUSRICHTUNG DES HAUPTSPIEGELS

Es gibt 3 große Schrauben und 3 kleine Schrauben an der Rückseite Ihres Teleskops. Die großen Schrauben sind Einstellschrauben und die kleinen Schrauben sind Fixierschrauben. Lösen Sie mit ein paar Umdrehungen die Einstellschrauben. Während Sie in den Okularauszug blicken, bewegen Sie Ihre Hand vor dem Teleskop, Sie können dabei die reflektierte Bild Ihrer Hand sehen. Die Idee dabei ist zu sehen, inwiefern der Hauptspiegel defekt ist, Sie tun dies, indem Sie an dem Punkt anhalten, an dem das reflektierte Bild des Fangspiegels am nächsten am Rand des Hauptspiegels liegt.

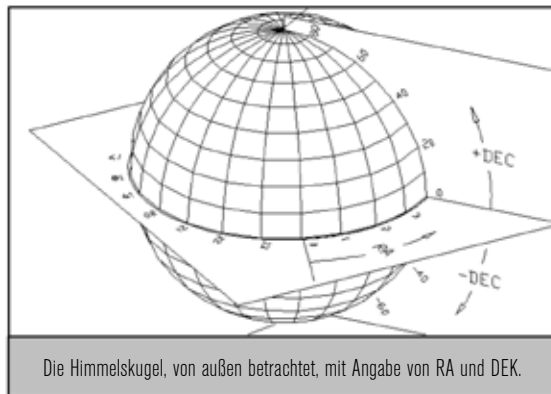
Wenn Sie an diesen Punkt kommen, hören Sie auf und lassen Sie Ihre Hand dort liegen. Sehen Sie am hinteren Ende Ihres Teleskops eine Einstellschraube? Wenn ja, da möchten Sie sie sich er lösen (dann drehen Sie die Schraube nach links), um den Spiegel von diesem Punkt weg zu drehen. Wenn sich dort keine Einstellschraube befindet, gehen Sie zur anderen Seite und ziehen dort die Einstellschraube an. Dies wird den Spiegel allmählich ausrichten. (Es ist hilfreich, einen Freund zu haben, der bei der Hauptspiegelkollimation beisteht. Lassen Sie Ihren Partner die Einstellschrauben entsprechend Ihren Richtungsanweisungen einstellen, während Sie in den Okularauszug schauen).

Am Abend richten Sie dann Ihr Teleskop auf den Polarstern (Polaris). Mit einem Okular im Okularauszug stellen Sie den Stern unscharf ein. Sie sehen dieses Bild nur jetzt, es wird vom Sternenlicht beleuchtet sein. Falls nötig, wiederholen Sie den Kollimationsvorgang, Sie müssen nur den Stern im Okular zentrieren, während Sie den Spiegel einstellen.



NOCH EIN WORT ZUR EINSTELLUNG MIT TEILKREISEN

Das Himmelskoordinatensystem ist ähnlich wie das Breiten- und Längensystem, das wir benutzen, um die Erde darzustellen. Genau wie Städte auf einer Karte spezifische Längen- und Breitengradkoordinaten haben, haben Sterne und Deep-Sky-Objekte Rektaszension (RA) und Deklination (DEK)-Koordinaten auf der Himmelssphäre. Ihre Teleskope kommen mit zwei Teilkreisen zum Einstellen, einer auf der RA-Achse und einer auf der DEK-Achse. Die Teilkreise sind kleine Scheiben mit 3-Zoll-Durchmesser mit unterteilten Markierungen die Ihnen helfen können, Objekte in den Nachthimmel mit ihren himmlischen Koordinaten zu finden.



Die Deklinationsachse der Himmelssphäre ist in Grad, Minuten und Bogensekunden unterteilt. Am Himmelsäquator ist die DEK-Koordinate 0 Grad, wobei +90 Grad der Himmels-Nordpol und -90 Grad der Himmels-Südpol sind. Die DEK-Koordinate zeigt Ihnen, wie weit Sie nach Norden oder Süden gehen können, um Ihr Ziel zu finden.

Bevor Sie die Teilkreise zum Einstellen zur Lokalisierung von Objekten im Himmel nutzen, müssen Sie die Teilkreise zuerst ausrichten. Wenn Sie die Ausrichtung der Montierung polarausrichten, richten Sie den DEK-Teilkreis genau so aus, mehr ist dafür nicht notwendig. Der RA-Teilkreis zum Einstellen erfordert zusätzliche Informationen.

Auf dem RA-Teilkreis zum Einstellen gibt es zwei Zahlensätze - eine für die nördliche Hemisphäre (unten) und eine für die südliche Hemisphäre (oben). Um den RA-Teilkreis auszurichten, müssen Sie in einige der helleren Sterne am Himmel erkennen können. Sie können Ihre Planisphäre oder Astronomieapp verwenden, um sie zu identifizieren.

Ausrichtung des RA-Einstellrings:

1. Orten Sie einen hellen Stern in der Nähe des Himmelsäquators. Je weiter Sie von der Himmels-Pol weg sind, desto besser können Sie die RA-Teilkreise ablesen.
2. Verwenden Sie Ihren Sternatlas oder Ihre Astronomieapp, um die Koordinaten des Sterns, den Sie ausgewählt haben, zu suchen.
3. Zentrieren Sie den Stern im Okular des Teleskops.
4. Wenn Sie das Teleskop nicht bewegen, drehen Sie den RA-Teilkreis, bis die RA-Anzeige auf die RA-Koordinate des Sterns zeigt, den Sie ausgewählt haben.

HINWEIS: Der RA-Teilkreis bewegt sich **NICHT**, wenn sich das Teleskop in RA bewegt. Der Teilkreis zum Einstellen muss jedes Mal ausgerichtet werden, wenn Sie ihn verwenden möchten, um ein Objekt zu finden. Es muss jedoch, nicht jedes Mal ein Stern verwendet werden. Sie können auch die Koordinaten des Objekts, das Sie gegenwärtig beobachten, verwenden.

Sobald die Ringe ausgerichtet sind, können Sie sie verwenden, um ein beliebiges Objekt mit bekannten Koordinaten zu suchen. Die Präzision Ihrer Teilkreise hängt direkt von der Präzision Ihrer Polausrichtung ab.

Das Himmelskoordinatensystem ist ähnlich wie das Breiten- und Längensystem, das wir benutzen, um die Erde darzustellen.

- 1.** Wählen Sie ein Objekt zur Beobachtung. Verwenden Sie eine Planisphäre, einen Sternatlas oder ein Astronomieapp oder Programm, um sicherzugehen, dass das Objekt, das Sie gewählt haben, über dem Horizont liegt. Je mehr Sie mit dem Nachthimmel vertraut sind, desto weniger ist das notwendig.
- 2.** Sehen Sie nach den Koordinaten des Sterns.
- 3.** Halten Sie das Teleskop fest und lösen Sie den DEK-Feststellknopf.
- 4.** Bewegen Sie das Teleskop in der Deklinationssachse, bis die Anzeige auf die richtige Deklinationssachse zeigt.
- 5.** Verriegeln Sie den DEK-Feststellknopf, damit sich das Teleskop nicht bewegt.
- 6.** Halten Sie das Teleskop fest und drehen Sie den RA-Feststellknopf los.
- 7.** Bewegen Sie das Teleskop in der RA-Achse, bis die Anzeige auf die richtige Koordinate zeigt.
- 8.** Verriegeln Sie den RA-Feststellknopf, damit sich das Teleskop nicht aus der RA-Achse verlagert.

Aufgrund von Fehlern in der polaren Ausrichtung und der Genauigkeit der Teilkreise auf dieser parallaktischen Montierung ist es unwahrscheinlich, dass Sie das Objekt im Okular des Teleskops sehen. Sie müssen die Zeitlupensteuerungen verwenden und eine langsame zirkuläre Suche durchführen, bis das Objekt in Ihr Gesichtsfeld kommt.

Beachten Sie bitte, dass die Verwendung von Einstellkreisen komplizierter ist als die im Abschnitt "Starhopping" beschriebene einfachere Methode. Es empfiehlt sich, mit Starhopping zu beginnen, aber mit ein wenig Geduld und etwas Übung, können die Teilkreise eine praktikable Möglichkeit sein, Objekte im Nachthimmel zu finden. Versuchen Sie, mit hellen Sternen oder sogar mit Planeten zu üben, die relativ einfach mit Ihrem Sucherfernrohr zu sehen sind, bis sie den Dreh heraushaben.

HINWEISE

HINWEISE

ZWEIJÄHRIGE EINGESCHRÄNKTE GARANTIE VON CELESTRON

- A.** Celestron garantiert, dass Ihr Teleskop für zwei Jahre frei von Material- und Verarbeitungsfehlern ist. Celestron wird ein solches Produkt oder Teile davon, wenn nach Inspektion durch Celestron ein Defekt an Material oder Verarbeitung gefunden wurde, reparieren oder austauschen. Die Verpflichtung von Celestron, ein solches Produkt zu reparieren oder auszutauschen, unterliegt der Bedingungen, dass das Produkt zusammen mit einem für Celestron zufriedenstellenden Kaufbeleg an Celestron zurückgesendet wird.
- B.** Die korrekte Rücksende-Autorisationsnummer muss zuvor von Celestron angefordert werden. Rufen Sie Celestron unter (310) 328-9560 an, um die Nummer, die auf der Außenseite Ihres Versandcontainers aufgebracht ist, zu erhalten.

Alle Rücksendungen müssen eine schriftliche Erklärung enthalten, aus der der Name, die Adresse und die Telefonnummer des Eigentümers, zu der er tagsüber erreichbar ist, zusammen mit einer kurzen Beschreibung aller beanstandeten Defekte, hervorgeht. Ausgetauschte Teile oder Produkte werden Eigentum von Celestron.

Der Kunde ist für alle Kosten für Versand und Versicherung zu und vom Celestron-Werk verantwortlich und muss diese Kosten im Voraus begleichen.

Celestron muss vernünftige Maßnahmen ergreifen, um jedes Teleskop unter dieser Garantie innerhalb von 30 Tagen nach Erhalt zu reparieren oder auszutauschen. Für den Fall, dass Reparatur oder Austausch mehr als dreißig Tage in Anspruch nimmt, muss Celestron den Kunden entsprechen in Kenntnis setzen. Celestron behält sich das Recht vor, ein Produkt, das aus der Produktlinie ausgeschieden ist, durch ein neues oder in Wert und Funktion vergleichbares Produkt zu ersetzen.

Diese Garantie erlischt und wird außer Kraft gesetzt, für den Fall, dass ein Produkt unter der Garantie in Design oder Funktion modifiziert wurde oder Missbrauch, unsachgemäße Handhabung oder unautorisierte Reparatur unterzogen wurde. Des Weiteren sind Produktfehlfunktionen oder Wertminderung aufgrund von normalem Verschleiß von dieser Garantie nicht abgedeckt.

CELESTRON LEHNT JEGLICHE GEWÄHRLEISTUNG, OB AUSDRÜCKLICH ODER STILLSCHWEIGEND, OB DER MARKTGÄNGIGKEIT ODER DER EIGNUNG FÜR EINEN BESTIMMTEN ZWECK, AUSSER DEM HIERIN GENANNTEN, AB. DIE ALLEINIGE VERPFLICHTUNG VON CELESTRON UNTER DIESER EINGESCHRÄNKTEN GARANTIE BESTEHT DARIN, DAS DURCH DIE GARANTIE ABGEDECKTE PRODUKT IN ÜBEREINSTIMMUNG MIT DEN HIERIN FESTGEHALTENEN BEDINGUNGEN ZU REPARIEREN ODER AUSZUTAUSSCHEN. CELESTRON LEHNT AUSDRÜCKLICH JEGLICHE HAFTUNG FÜR ENTGANGENE PROFITE, ALLGEMEINE, SPEZIELLE, INDIREKTE ODER FOLGESCHÄDEN AB, DIE SICH AUS EINER GARANTIEVERLETZUNG ERGEBEN KÖNNTEN ODER DIE DURCH NUTZUNG BZW. UNFÄHIGKEIT ZUR NUTZUNG JEDLICHEN CELESTRON-PRODUKTS ERGEBEN. JEGLICHE STILLSCHWEIGENDE ODER NICHT BEANSPRUCHBARE GEWÄHRLEISTUNGEN IST ZEITLICH AUF ZWEI JAHRE AB DATUM DES URSPRÜNGLICHEN KAUFES BESCHRÄNKT.

Einige Staaten erlauben keinen Ausschluss oder keine Beschränkung von zufälligen oder Folgeschäden sowie keine zeitliche Begrenzung einer stillschweigenden Garantie; daher könnten die oben genannten Beschränkungen und Ausschlüsse auf Sie nicht zutreffen.

Diese Garantie gibt Ihnen bestimmte Rechte und darüber hinaus könnten Sie auch weitere Rechte haben, die von Land zu Land variieren.

Celestron behält sich das Recht vor, jegliches Modell und jeglichen Teleskoptyp zu modifizieren oder aus der Produktlinie auszuschließen, ohne Ihnen dies vorher anzukündigen.

Wenn ein Garantiefall eintritt oder wenn Sie Hilfestellung bei der Verwendung Ihres Teleskops benötigen, wenden Sie sich bitte an: Celestron - 800.421.9649

HINWEIS: Diese Garantie ist für Kunden in den USA und Kanada gültig, die dieses Produkt von einem autorisierten Celestron-Händler in den USA oder Kanada gekauft haben. Eine Garantie außerhalb der USA und Kanada gilt nur für Kunden, die bei einem internationalen Celestron-Vertrieb oder einem autorisierten Celestron-Händler im jeweiligen Land eingekauft haben. Bitte wenden Sie sich für jeden Garantieservice an diese Ansprechpartner.

FCC-ERKLÄRUNG: Dieses Gerät entspricht Artikel 15 der FCC-Bestimmungen. Der Betrieb unterliegt folgenden zwei Bedingungen: (1) Dieses Gerät darf keine störenden Interferenzen verursachen, und (2) dieses Gerät muss jegliche empfangene Interferenz tolerieren, einschließlich solcher, die zu einem unerwünschten Betrieb führen.

Das Produktdesign und technische Daten können ohne Vorankündigung geändert werden. Dieses Produkt wurde für die Verwendung durch Personen von 14 Jahren und darüber entworfen und vorgesehen.



© 2017 Celestron • Alle Rechte vorbehalten.
www.celestron.com
2835 Columbia Street • Torrance, CA 90503 U.S.A.
Telefon: 800.421.9649

01-17
In China gedruckt

 **CELESTRON**[®]

ASTROMASTER[®]

TELESCOPIO EQ

ESPAÑOL



MANUAL DE INSTRUCCIONES

Modelos #21062, 21064, 31035, 31042, 31045, 31051
(70EQ, 90EQ, 76EQ, 114EQ, 130EQ, 130EQ-MD)



ÍNDICE

AVISO SOLAR	5
CONTENIDO DE LA CAJA.	6
MONTAJE DEL TELESCOPIO.	7
Trípode y soporte ecuatorial	7
Barra de contrapeso y contrapesos	8
Controles de movimiento lento	8
Tubo del telescopio	9
Diagonal de imagen recta (solo telescopios refractores)	9
Ocular	10
Localizador StarPointer	10
Cambiar la batería del localizador.	11
Mover el telescopio	11
Alinear el localizador.	12
Equilibrar el telescopio	12
ALINEACIÓN POLAR	14
PRIMERA SESIÓN DE OBSERVACIÓN ASTRONÓMICA	16
La Luna.	16
RECOMENDACIONES DE OBSERVACIÓN CELESTE	16
Aumento	16
Campo de visión.	16
Los planetas	17
Objetos del espacio profundo	17
Condiciones del cielo	18
Selección de un lugar de observación	18
Elegir el mejor momento para observar.	18
Refrigerar el telescopio	19
Adaptación de los ojos	19
Astrofotografía	19
Equipo de observación del espacio profundo	20
Salto estelar	20
CUIDADOS Y LIMPIEZA DEL TELESCOPIO.	21
COLIMACIÓN DE UN TELESCOPIO NEWTONIANO	22
Alineación del espejo secundario	23
Alineación del espejo primario	23
Un comentario sobre los círculos.	24
NOTAS.	26
GARANTÍA LIMITADA POR DOS AÑOS DE CELESTRON	28

AVISO SOLAR

- No mire nunca directamente al sol con los ojos descubiertos o un telescopio a menos que tenga un filtro solar adecuado. Puede producir daños oculares permanentes e irreversibles.
- No use nunca su telescopio para proyectar una imagen del Sol sobre ninguna superficie. La acumulación interna de calor puede dañar el telescopio y cualquier accesorio que tenga instalado.
- No use nunca un filtro solar de ocular ni una cuña Herschel. La acumulación interna de calor en el telescopio puede hacer que los dispositivos se agrieten o rompan, permitiendo pasar la luz solar sin filtrar hasta el ojo.
- No deje el telescopio sin supervisión, especialmente cuando estén presentes niños o adultos no familiarizados con los procedimientos operativos correctos del telescopio.

CONTENIDO DE LA CAJA

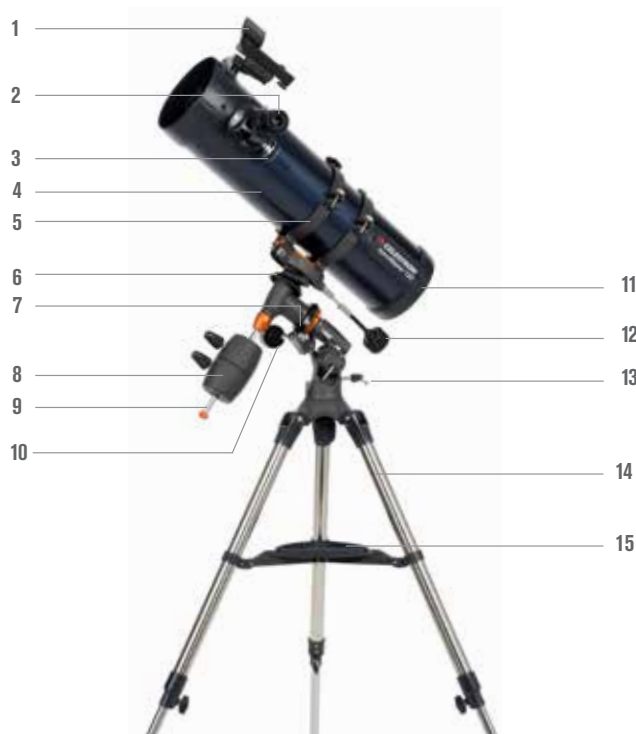
Recomendamos guardar la caja de su telescopio para poder usarla para guardarlo cuando no lo use. Desembale cuidadosamente la caja, algunas piezas son pequeñas. Use la lista de piezas siguiente para comprobar que dispone de todas las piezas y accesorios.

LISTA DE PIEZAS



(Refractor de 90 mm mostrado)

1. Lente de objetivo
2. Tubo de telescopio
3. Círculo de establecimiento DEC
4. Círculo de establecimiento RA
5. Mando de movimiento lento RA
6. Contrapeso
7. Barra de contrapeso
8. Trípode
9. Bandeja de accesorios
10. Soporte de montaje machihembrado
11. Localizador StarPointer
12. Ocular
13. Diagonal de imagen recta
14. Mando de enfoque
15. Mando de movimiento lento DEC
16. Soporte ecuatorial
17. Tornillo de ajuste de altitud



(Mostrado el Newtoniano de 130 mm)

1. Localizador StarPointer
2. Ocular
3. Mando de enfoque
4. Tubo de telescopio
5. Arandelas del tubo
6. Círculo de establecimiento DEC
7. Círculo de establecimiento RA
8. Contrapesos
9. Barra de contrapeso
10. Mando de movimiento lento RA
11. Espejo primario
12. Mando de movimiento lento DEC
13. Tornillo de ajuste de latitud
14. Trípode
15. Bandeja de accesorios

MONTAJE DEL TELESCOPIO

TRÍPODE Y SOPORTE ECUATORIAL

Esta sección trata las instrucciones de montaje de su telescopio AstroMaster EQ. El telescopio debe colocarse la primera vez en un interior, de forma que resulte sencillo identificar las diversas piezas y familiarizarse con el proceso correcto de montaje antes de intentarlo en exteriores.

Para montar el trípode:

1. Saque el trípode y el soporte de la caja.
2. Afloje los mandos de la parte inferior de cada pata y extienda la sección interna de la tapa a la longitud deseada. Apriete los mandos para asegurar las patas, con cuidado de no apretarlos en exceso.
3. Ponga el trípode de pie y separe las patas del trípode hasta que la abrazadera central encaje en posición.
4. Coloque la bandeja de accesorios sobre la línea de la abrazadera central por el agujero del centro. Gire la bandeja hasta que las pestañas de sus tres puntos encajen en los soportes de cada brazo de la abrazadera central del trípode.



El soporte ecuatorial le permite inclinar el eje de rotación del telescopio para poder seguir las estrellas a medida que se mueven por el firmamento.

1. Saque el soporte ecuatorial de la caja.
2. Ponga la protuberancia de la base del soporte ecuatorial en la ranura de la parte superior del cabezal del trípode.
3. Use el mando manual grande bajo el cabezal del trípode para asegurar el soporte al trípode. Enrosque hasta que quede ajustado pero no lo apriete en exceso.
4. Pase el tornillo de ajuste de latitud por el agujero estriado de la parte posterior del soporte. Solamente tiene que enroscarlo ligeramente, ajustará el tornillo más tarde.



Perno de montaje

BARRA DE CONTRAPESO Y CONTRAPESOS

Para equilibrar correctamente el tubo del telescopio, el soporte incluye una barra de contrapeso y contrapesos.

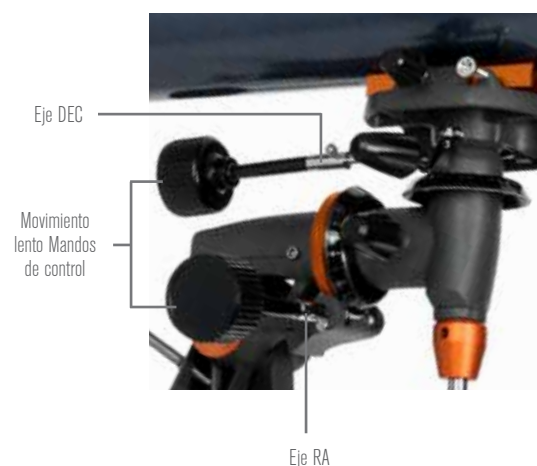
1. Retire la barra de contrapeso de la caja y enrósquela en el agujero estriado en la parte inferior del eje de declinación del soporte.
2. Saque el tornillo de seguridad del contrapeso naranja en el extremo inferior de la barra de contrapeso.
3. Afloje el gran mando de bloqueo negro del lateral del contrapeso. Asegúrese de que el agujero que atraviesa el contrapeso no tenga obstrucciones.
4. Deslice el contrapeso sobre el eje de contrapeso hasta aproximadamente la mitad y apriete el mando de bloqueo para aguantarlo en posición. Si su telescopio incluye más de un contrapeso, añada el segundo igual que el primero.
5. Coloque el tornillo de seguridad del contrapeso naranja en la parte inferior del eje de contrapeso. Así evitará que el contrapeso caiga del eje si se suelta accidentalmente.



CONTROLES DE MOVIMIENTO LENTO

El soporte AstroMaster incluye dos mandos de control de movimiento lento que permiten realizar ajustes de apuntado precisos del telescopio tanto en el eje de ascensión derecha como en el de declinación, también llamados RA y DEC. Para instalar los mandos:

1. Localice los dos mandos en la caja. Ambos mandos son idénticos, por lo que no importa el que use en cada eje.
2. Afloje el tornillo del extremo de uno de los dos mandos.
3. Deslicelo en el extremo del eje del engranaje RA hasta el fondo y apriete el tornillo para asegurarlo en posición. El mando RA puede usarse en el lado izquierdo o derecho del soporte, según sus preferencias.
4. Deslice el otro mando en el eje del engranaje DEC y apriete el tornillo para asegurarlo.



TUBO DEL TELESCOPIO

El tubo del telescopio se fija al soporte ecuatorial usando un sistema machihembrado con liberación rápida. Para todos los telescopios refractores y el newtoniano de 76 mm, el machihembrado se fija directamente al tubo del telescopio. Para telescopios newtonianos de 140 mm y 130 mm, el machihembrado se fija a las arandelas del tubo que sujetan el tubo del telescopio.

1. Afloje los dos mandos de montaje del tubo del lateral del soporte machihembrado de la parte superior del soporte ecuatorial. Asegúrese de que estén lo suficientemente atrás para que la barra machihembrada se deslice en el soporte de montaje.
2. Deslice la barra machihembrada en el tubo del telescopio en el soporte de montaje, asegurándose de que el machihembrado esté totalmente asentado en el soporte.
3. Apriete los dos mandos de montaje para aguantar el telescopio en posición.



DIAGONAL DE IMAGEN RECTA (solo telescopios refractores)

La diagonal de imagen recta se instala en la parte posterior de un telescopio refractor y contiene un pequeño prisma que refleja la luz en un ángulo de 90°, ofreciendo una posición de observación más cómoda. La mayoría de telescopios astronómicos ofrecen una vista invertida o volteada de izquierda a derecha. La diagonal de imagen recta corrige la imagen de forma que tenga una imagen orientada correctamente al 100%, asegurándose de que el telescopio sea perfecto para la observación terrestre diurna.

Para introducir la diagonal en los refractores AstroMaster 70EQ y 90EQ:

1. Saque las tapas de ambos lados de la diagonal.
2. Afloje los tornillos de la parte posterior del enfoque y saque la pequeña tapa para el polvo.
3. Introduzca el tubo más pequeño de la diagonal en la parte posterior del enfoque y asegúrelo apretando los tornillos. Puede ajustar el ángulo de la diagonal estelar en cualquier dirección deseada antes de apretar los tornillos.



NOTA: Una diagonal de imagen recta no puede enfocar en un telescopio newtoniano. La imagen siempre aparecerá boca abajo. Los telescopios newtonianos incluyen un ocular enderezador de 20 mm especial que tiene integrado un prisma enderezador para uso terrestre.

OCULAR

Su telescopio incluye dos oculares. El de 20 mm ofrece un aumento bajo con un campo de visión moderadamente amplio. El de 10 mm le ofrece un mayor aumento pero un campo de visión más estrecho. Puede obtener oculares adicionales para aumentar o reducir el aumento al nivel deseado. Cuando localice por primera vez un objeto, es preferible usar el ocular de 20 mm, y cuando el objeto esté centrado, cambiar al de 10 mm para aumentarlo.

Para introducir el ocular en los refractores AstroMaster 70EQ y 90EQ:

1. Afloje los tornillos del extremo abierto de la diagonal estelar.
2. Introduzca el cañón plateado del ocular de 20 mm en la diagonal estelar.
3. Apriete los tornillos para asegurar el ocular en posición.
4. Para ver la imagen lo más definida posible, enfoque mirando por el ocular y gire lentamente los mandos de enfoque hasta que la imagen quede bien enfocada.



Para instalar el ocular en telescopios newtonianos AstroMaster 76EQ, 114EQ y 130EQ:

1. Afloje los tornillos del extremo del enfoque y saque la tapa para el polvo.
2. Introduzca el cañón cromado del ocular de 20 mm directamente en el enfoque.
3. Apriete los tornillos para asegurar el ocular en posición.
4. Para ver la imagen lo más definida posible, enfoque mirando por el ocular y gire lentamente los mandos de enfoque hasta que la imagen quede bien enfocada.

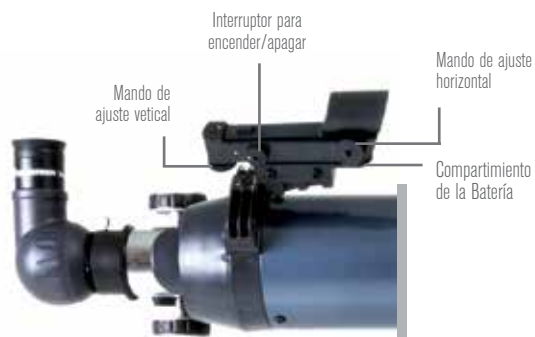


LOCALIZADOR STARPOINTER

Su telescopio incluye un localizador de punto rojo StarPointer que se utiliza como herramienta de mira al apuntar el telescopio a un objetivo.

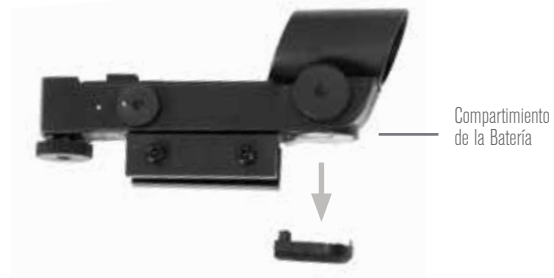
Para instalar el localizador:

1. Afloje los dos tornillos de cabezal Philips en el lateral del localizador y deslice la abrazadera sobre el soporte machihembrado cerca del enfoque del telescopio. La apertura grande del localizador debe estar orientada a la parte anterior del telescopio.
2. Asegure el localizador en posición apretando los dos tornillos de cabezal Philips. No apriete los tornillos en exceso. Solamente debe ajustar la conexión.
3. Retire la pequeña pestaña de plástico bajo la tapa de la batería. Se ha instalado para evitar que se descargue la batería accidentalmente durante el transporte.



CAMBIAR LA BATERÍA DEL LOCALIZADOR

Para cambiar la batería del StarPointer, retire el localizador del telescopio y gírelo. El compartimiento de batería se encuentra directamente bajo la estructura de lente grande. Usando un pequeño destornillador o la uña, levante la tapa directamente hacia arriba para sacarla. La batería se aguanta en posición con un contacto de muelle. Levante con suavidad el contacto y gire el localizador de lado. La batería debería salir directamente. Cambie la batería por una batería de botón de 3 voltios CR2032. Deslice la nueva batería bajo el contacto, asegurándose de que el terminal positivo de la batería (el lado marcado con "+") esté orientado hacia arriba, hacia el contacto de muelle. La batería debería encajar en posición. Cambie la tapa alineando las puntas de ésta con los agujeros en el localizador y presionándola hacia abajo. Asegúrese de desechar la batería usada de acuerdo con la normativa local.



MOVER EL TELESCOPIO

El soporte ecuatorial AstroMaster ha sido diseñado para moverse en dos direcciones según el sistema de coordenadas celestes. El eje de ascensión derecha, o RA, mueve el telescopio en dirección este/oeste. El eje de declinación, o DEC, mueve el telescopio en dirección norte/sur. Moviendo el telescopio en RA y DEC, debe poder apuntar el telescopio a cualquier punto del firmamento.

Para mover el telescopio en distancias importantes:

1. Afloje los mandos de fijación RA y DEC situados en el lateral del soporte girándolos en sentido contrario a las agujas del reloj. Así el telescopio podrá girar libremente en cualquier dirección.
2. Mueva el telescopio con la mano en RA y DEC hasta acercarse a la posición deseada.
3. Apriete los dos mandos de bloqueo en sentido de las agujas del reloj para asegurar el soporte en posición.

Para realizar ajustes precisos en el apuntado del telescopio:

1. Asegúrese de que ambos bloqueos estén cerrados.
2. Gire el mando de movimiento lento RA o DEC según sea necesario para centrar un objeto en el ocular.

NOTA: Si los bloqueos están desbloqueados, los mandos de movimiento lento no funcionarán.



ALINEAR EL LOCALIZADOR

El localizador StarPointer es una mira réflex que usa un LED rojo para proyectar un punto rojo en la ventana de cristal redonda. Cuando mire por la ventana, verá que el punto rojo está sobreimpuesto en el objeto. La primera vez que monte el telescopio, deberá alinear el localizador con la óptica principal del telescopio. Aunque puede realizar este paso de noche, es notablemente más sencillo de día. Cuando haya finalizado la alineación del localizador, no deberá repetir este paso a menos que se golpee o caiga el localizador.

Para instalar el localizador StarPointer:

1. Saque su telescopio al exterior durante el día. Con el ojo desnudo, localice un objeto fácilmente reconocible, como una farola, matrícula o árbol alto. El objeto debe estar lo más lejos posible, al menos a 400 m.
2. Saque la cubierta contra el polvo principal del telescopio y asegúrese de que el ocular de 20 mm esté instalado.
3. Mueva el telescopio a izquierda y derecha o arriba y debajo de forma que apunte aproximadamente al objeto elegido en el paso 1.
4. Mire por el ocular del telescopio y muévalo manualmente hasta que el objeto elegido quede en el centro del campo de visión. Si la imagen es borrosa, gire suavemente los mandos de enfoque hasta que quede bien enfocada.
5. Cuando el objeto esté centrado en el ocular de 20 mm, encienda el telescopio girando el mando de encendido/brillo en el lateral de la unidad hasta el final de su recorrido.
6. Con la cabeza aproximadamente a 30 cm del localizador, mire por la ventana redonda y localice el punto rojo. Probablemente esté cerca, pero no encima del objeto que esté mirando por el ocular de 20 mm.
7. Sin mover el telescopio, use los dos mandos de ajuste del lateral y bajo el localizador. Uno controla el movimiento a izquierda-derecha de la retícula, mientras el otro controla el movimiento arriba-abajo. Ajuste ambos hasta que el punto rojo aparezca sobre el mismo objeto que esté observando con el ocular de 20 mm.

Ahora elija otro objetivo distante para practicar el apuntado con el telescopio. Mire por la ventana del localizador StarPointer y ponga el punto rojo sobre el objeto que esté intentando ver, compruebe que aparece en el ocular de 20 mm del telescopio.

NOTA: Asegúrese de apagar el localizador StarPointer cuando no lo use para conservar batería.

EQUILIBRAR EL TELESCOPIO

Para eliminar tensiones inadecuadas para el soporte y los engranajes, el telescopio debe estar adecuadamente equilibrado en el soporte.

Para equilibrar el soporte en eje RA:

1. Asegúrese de que el telescopio esté correctamente instalado en el soporte con los mandos de montaje del machihembrado firmemente asegurados.
2. Suelte el mando de bloqueo RA para dejar que el telescopio gire libremente en el eje RA.
3. Gire el telescopio en el eje RA de forma que el tubo quede en el lateral del soporte y la barra de contrapeso esté paralela al suelo.
4. Suelte lentamente el telescopio y compruebe el lado que es más pesado - el lado con el tubo del telescopio o el lado con el contrapeso.
5. Si el lado del contrapeso es más pesado, afloje el mando de bloqueo del contrapeso y deslice el contrapeso hacia arriba por el eje (hacia el tubo del telescopio) ligeramente, bloquee el contrapeso en su nueva posición y pruebe de nuevo.
6. Si el lado del telescopio es más pesado, afloje el mando de bloqueo del contrapeso y deslice el contrapeso hacia abajo por el eje (hacia el tubo del telescopio) ligeramente, bloquee el contrapeso en su nueva posición y pruebe de nuevo.
7. Siga ajustando la posición del peso de machihembrado hasta que pueda soltar el telescopio y no se mueva arriba ni abajo.

Para equilibrar el telescopio en eje DEC:

1. Ponga el telescopio en la misma posición indicada para el equilibrio RA anterior con el tubo del telescopio a un lado del soporte y la barra de contrapeso paralela al suelo. Bloquee el mando de bloqueo RA para mantener el soporte en posición.
2. Aguantando el tubo del telescopio con seguridad con una mano, afloje el mando de bloqueo DEC y gire el telescopio de forma que quede paralelo al suelo.
3. Suelte lentamente el tubo del telescopio y compruebe si empieza a girar arriba o abajo, y bloquee el mando de bloqueo DEC para asegurar el tubo en posición.
4. Si la parte delantera del telescopio apunta hacia arriba, el tubo pesa demasiado por detrás y el punto de equilibrio debe cambiar. Afloje los tornillos de montaje del machihembrado del tubo del telescopio y deslice el machihembrado hacia adelante ligeramente. Apriete los dos tornillos de montaje del machihembrado e intente la prueba de nuevo.
5. Si la parte delantera del telescopio apunta hacia abajo, el tubo pesa demasiado por delante y el punto de equilibrio debe cambiar. Afloje los tornillos de montaje del machihembrado del tubo del telescopio y deslice el machihembrado hacia atrás ligeramente. Apriete los dos tornillos de montaje del machihembrado e intente la prueba de nuevo.
6. Siga ajustando la posición de la barra de machihembrado hasta que pueda soltar el telescopio y no gire arriba ni abajo.

NOTA: Para telescopios newtonianos de 114 mm y 130 mm, puede ajustar el punto de equilibrio del telescopio sin mover la barra de machihembrado. Afloje los tornillos plateados de las dos arandelas del tubo que envuelven el tubo del telescopio. Podrá deslizar el tubo del telescopio adelante o atrás en las arandelas. Cuando llegue al punto de equilibrio, apriete los tornillos de la arandela del tubo para bloquearla en posición. También puede rotar el tubo en las arandelas con el mismo método para colocar el ocular a un ángulo cómodo para la observación.



Eje RA



Eje Dec

ALINEACIÓN POLAR

Su soporte ecuatorial puede seguir con facilidad objetos celestes girando el mando de movimiento lento RA o usando un motor opcional que lo gire por usted. Para que el soporte lo haga con precisión, el soporte deberá estar "alineado polarmente" o configurado de forma que el eje RA de rotación esté paralelo con el eje de rotación de la Tierra. Suena más complicado de lo que es y, cuando lo haya hecho unas veces, le resultará natural. El primer paso de la alineación polar es establecer el soporte a la configuración de latitud adecuada para el lugar de observación.

Para establecer la latitud del soporte:

1. Ajuste la altura de las tres patas del trípode de forma que el soporte quede nivelado. Hacerlo a ojo es suficiente.
2. Determine su latitud en la Tierra. Si tiene un dispositivo con GPS activado, como un teléfono o tableta, debería poder leer la latitud directamente del dispositivo. En caso contrario, puede encontrar la información en línea.
3. Localice la escala de latitud, en el lateral del soporte ecuatorial cerca de la base.
4. Use el mango deslizante para aflojar el mando de ajuste de latitud girándolo en sentido contrario a las agujas del reloj.
5. Ajuste el tornillo de ajuste de latitud de la parte posterior del soporte girándolo en sentido de las agujas del reloj o el contrario hasta que el indicador sobre la escala de altitud apunte a su latitud en la Tierra.

Ejemplo: En Los Angeles, California, la latitud es de 33 grados.

6. Cuando haya establecido correctamente la latitud, apriete el mando de ajuste de latitud girándolo en sentido de las agujas del reloj.

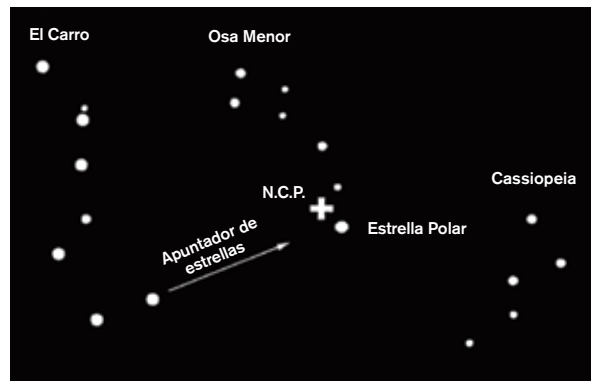
NOTA: Esta configuración de latitud solamente tiene que hacerse una vez si va a usar el telescopio siempre en la misma ubicación para observar. La única vez que tendrá que cambiarlo es si se desplaza con el telescopio lo suficientemente al norte o al sur para cambiar un grado de latitud. Esto es, aproximadamente, 70 millas. Los pequeños cambios, como mover el telescopio del patio delantero al trasero, o incluso en distintas ubicaciones de una ciudad, no precisan de cambiar la configuración.



Con el trípode nivelado y la latitud establecida, lo único que queda es girar el soporte de forma que el eje polar (el eje RA de rotación) apunte al norte. Para hacerlo:

1. Instale el telescopio de forma que el tubo esté directamente sobre el soporte ecuatorial y que la parte anterior del tubo del telescopio apunte directamente sobre la barra del contrapeso. Bloquee los mandos de bloqueo RA y DEC para mantener el soporte en posición.
2. Localice la dirección del norte. Puede hacerlo de dos formas:
 - a. Use una brújula magnética o una app en el dispositivo para encontrar el norte magnético. Es el método más sencillo pero, desgraciadamente, no es muy preciso. El norte magnético puede desviarse hasta 15 grados del norte auténtico. Sigue siendo un buen método para ponerse en acción con rapidez dado que algunas app de dispositivos pueden compensar las variaciones magnéticas y mostrar el norte verdadero.

b. Si dispone de tiempo y conoce el firmamento nocturno, puede encontrar el norte verdadero buscando el Carro y/o la constelación de Casiopea. La estrella polar, la estrella del norte, está a aproximadamente 0,8 grados del norte celeste real y es lo suficientemente brillante para encontrarla con el ojo desnudo en cielos de suburbios. Busque las dos estrellas que forman el fondo del cuenco del Carro y dibuje una línea recta por ellos, le llevará directamente a la estrella polar. Usando la estrella polar como norte real le acercará mucho a una alineación polar precisa.

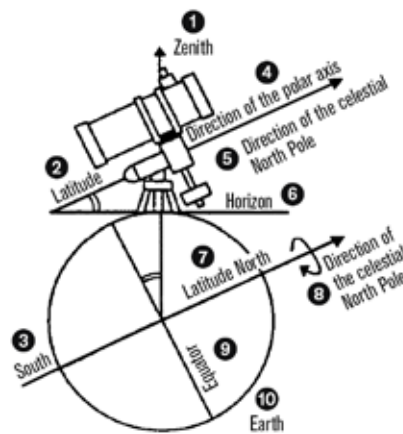


3. Afloje ligeramente el mando entre las tres patas del trípode que aguanta el soporte EQ al cabezal del trípode. Aflojelo lo suficiente para girar el soporte en el cabezal del trípode.

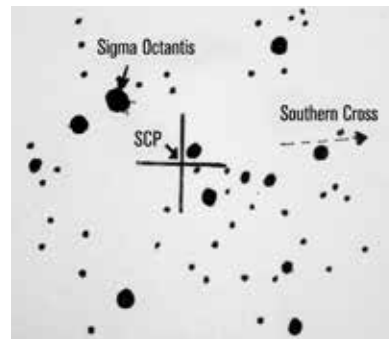
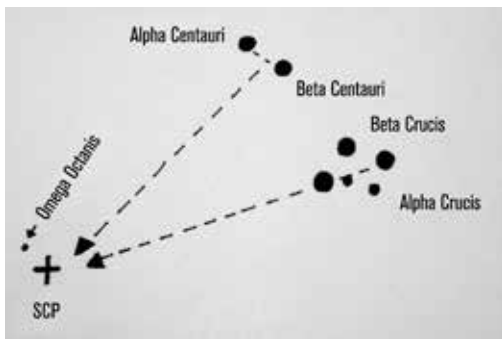
4. Agarre el soporte ecuatorial y gírelo hasta que el tubo óptico apunte en la misma dirección indicada por la aguja de la brújula. Si usa el método de la estrella polar, gire el soporte hasta mire a lo largo del tubo y vea la estrella polar.

5. Cuando el soporte esté alineado al norte, apriete el mando que conecta el soporte al trípode para asegurarlo en posición.

NOTA: Si está en el hemisferio sur, usará una brújula para encontrar el polo sur celeste. Gire el soporte hasta que el telescopio apunte al sur cuando use una brújula. En lugar de la estrella polar, debería usar la estrella Polaris Australis. La Cruz del Sur es una buena guía para encontrar esta estrella.



1. Cenit
2. Latitud
3. Sur
4. Dirección del eje polar
5. Dirección del polo norte celeste
6. Horizonte
7. Latitud norte
8. Dirección del polo norte celeste
9. Ecuador
10. Tierra



Con soporte con alineación polar debería seguir con facilidad objetos mientras se desplazan lentamente por el firmamento a medida que gira la Tierra bajo ellos. También puede localizar objetos usando los círculos de su soporte. Para obtener más detalles sobre los círculos, consulte la sección al final del manual titulado "Un Comentario Sobre los Círculos".

PRIMERA SESIÓN DE OBSERVACIÓN ASTRONÓMICA

LA LUNA

Ahora está a punto para sacar su telescopio de noche y realizar observaciones reales.

Comencemos con la Luna. La Luna tarda aproximadamente un mes en pasar por un ciclo de fases completo, desde la Luna nueva hasta la Luna llena y de vuelta. Pruebe a observarla en distintos momentos de este ciclo.

Aunque puede observar la Luna en cualquier momento en el que esté visible en el firmamento, el mejor momento para verla es a partir de dos días tras una Luna nueva hasta unos días antes de la Luna llena. Durante este periodo podrá ver el máximo detalle de los cráteres y riscos lunares. Consulte un calendario para saber cuándo será la siguiente Luna nueva.

1. Con una vista clara de la Luna, instale el telescopio con el ocular de 20 mm.
2. Encienda el localizador y mire por él para localizar el punto rojo.
3. Mueva el telescopio hasta que pueda ver la Luna por la ventana del localizador y el punto rojo esté centrado en la Luna.
4. Mire por el ocular de 20 mm. Gire suavemente los mandos de enfoque para ajustar la definición de la imagen.

FELICIDADES. HA OBSERVADO SU PRIMER OBJETO CELESTE.

Puede observar muchos otros objetos celestes, como planetas, cúmulos estelares y nebulosas usando esta misma técnica elemental.

RECOMENDACIONES DE OBSERVACIÓN CELESTE

Esta sección cubre recomendaciones de observación visual para objetos del sistema solar y del espacio profundo, así como condiciones de observación general que afectarán a su capacidad de observación.

AUMENTO

Puede cambiar el aumento del telescopio cambiando el ocular. Tanto los telescopios como los oculares tienen longitud focal medida en milímetros. Para calcular el aumento de una combinación de telescopio y ocular, tome la longitud focal del telescopio y divídala por la longitud focal del ocular. El número resultante será el factor de aumento.

Por ejemplo, el AstroMaster 90EQ tiene una longitud focal de 1000 mm. Usando el ocular de 20 mm:

$$\text{Aumento} = \frac{\text{Longitud focal del telescopio}}{\text{Longitud focal del ocular}} = \frac{1000 \text{ mm}}{20 \text{ mm}} = 50x$$

CAMPO DE VISIÓN

Determinar el campo de visión es importante si quiere tener una idea del tamaño angular del objeto que está observando. Para calcular el campo de visión real, divida el campo aparente del ocular (proporcionado por el fabricante del ocular) por los aumentos que ofrece en el telescopio que esté usando.

Usando el ejemplo de la sección anterior, podemos determinar el campo de visión usando el mismo telescopio y el ocular de 20 mm. El ocular de 20 mm tiene un campo aparente de visión de 40°.

$$\text{Campo de visión real} = \frac{\text{Campo de visión aparente del ocular}}{\text{Aumento}} = \frac{40^\circ}{50} = 0.8 \text{ grados de arco}$$

El ocular de 20 mm tiene un campo aparente de visión de 40°. Divida 40° por el aumento, que es de 50x. Le resultará un campo de visión real de 0,8 grados o 48 minutos de arco.

LOS PLANETAS

Además de la Luna, su telescopio puede observar los 5 planetas más brillantes. Como los planetas cambian de posición respecto a las estrellas del fondo, necesitará consultar con fuentes de información en la red o usar una app de planetario en un dispositivo para ayudarle a localizar su posición.

Aquí tiene algunos objetos que puede observar:

- **Mercurio y Venus-** Como la Luna, los dos planetas interiores pasan por fases, desde delgadas crecientes a fases menguantes.
- **Marte-** Cuando esté cerca de la oposición (el punto está en su órbita más cercana a la Tierra) debería poder discernir el casco polar y posiblemente algunas características de la superficie más grandes que aparecen como marcas oscuras en la superficie.
- **Júpiter-** Busque las bandas de nubes de metano más oscuras que rodean el planeta encima y debajo del ecuador. Si la Gran Mancha Roja está orientada a la Tierra, puede que pueda verla. También verá las cuatro lunas más brillantes de Júpiter - Io, Europa, Ganimedes y Calisto. Estas lunas son magníficas para observación porque puede verse su movimiento en solamente un par de horas. Ocasionalmente se desplazan detrás de Júpiter o entran en su sombra y desaparecen durante cierto tiempo. También pueden cruzar la cara de Júpiter y puede que incluso vea una sombra de la luna cruzándola. Existen diversas apps útiles para dispositivos que le ayudarán a predecir si se puede ver la Gran Mancha Roja, así como si se van a producir eventos interesantes con las lunas de Júpiter.
- **Saturno-** ¡Los anillos! Saturno es posiblemente uno de los objetos más hermosos que se pueden observar en un telescopio. Si las condiciones de visualización son lo suficientemente estables, puede captar la sombra de los anillos en el planeta y la sombra del planeta en los anillos. Debería poder ver Titán, la luna más brillante de Saturno.

OBJETOS DEL ESPACIO PROFUNDO

Los objetos del espacio profundo son todos los objetos celestes fuera de nuestro sistema solar. Incluyen grupos estelares, nebulosas planetarias, nebulosas difusas, estrellas binarias y otras galaxias fuera de la Vía Láctea. Los objetos como nebulosas y galaxias pueden ser bastante grandes, pero también son muy tenues. Para obtener la mejor vista posible, deberá asegurarse de que el firmamento sea lo más oscuro posible. Cuanto más lejos esté de las luces de ciudades, mejor verá estos objetos en el ocular. En fotografías de nebulosas y galaxias verá vívidos rojos y azules. Estos colores no son visibles cuando mira por el ocular. Las imágenes coloreadas son imágenes de exposición extremadamente larga tomadas a lo largo de 15 - 60 minutos o más, donde el ojo solamente registra datos basándose en cada instante. Los sensores digitales son mucho más sensibles a los rojos y azules que el ojo humano, que es más sensible a la sección verde del espectro. Igualmente, podrá ver el suave brillo de la galaxia de Andrómeda y la expansión de la Nebulosa de Orión.

CONDICIONES DEL CIELO

Las condiciones del cielo pueden afectar notablemente al telescopio de tres formas.

- **Placidez del aire-** En días con viento, las imágenes de la Luna y los planetas pueden parecer oscilar o saltar por el ocular, como si los estuviera viendo a través de agua en movimiento. Las noches con viento calmo ofrecen las mejores vistas con aumento elevado de los planetas y la Luna. La mejor forma de valorar la estabilidad de la atmósfera es mirar a estrellas brillantes con el ojo desnudo. Si "parpadean" o cambian de color rápidamente, el aire es inestable y será preferible usar aumentos más bajos y mirar objetos del espacio profundo. Si las estrellas están definidas y no parpadean, el aire es estable y debería ofrecer magníficas vistas planetarias con alto aumento.
- **Transparencia-** ¿Qué claridad tiene el aire por el que está mirando? Si existe una gran cantidad de humedad en el aire, la luz tenue de galaxias y nebulosas puede esparcerse y difuminarse antes de llegar al telescopio, causando una pérdida de brillo de la imagen. Los restos en el aire por incendios forestales cercanos, o incluso erupciones volcánicas lejanas, pueden contribuir a una gran pérdida de brillo. A veces esta elevada humedad o restos pueden ayudar a estabilizar el aire, permitiendo buenas imágenes planetarias y lunares, pero la pérdida de luz dificulta la observación de objetos del espacio profundo más tenues.
- **Brillo celeste-** La cantidad de luz ambiente en la atmósfera también puede afectar a la observación del espacio profundo. La oscuridad del cielo puede depender de su entorno local. En una ciudad, el brillo celeste causado por la iluminación de la ciudad reflejada a la tierra desde el cielo puede superar a la tenue luz de galaxias distantes. Alejarse de las luces brillantes de una ciudad grande puede marcar la diferencia entre ver un objeto del espacio profundo y perderlo por completo. Los planetas y la Luna tienen el brillo suficiente por sí mismos para que el efecto al observarlos sea mínimo.

SELECCIÓN DE UN LUGAR DE OBSERVACIÓN

Si va a observar objetos del espacio profundo, como galaxias y nebulosas, debería tener en cuenta ir a un lugar con el cielo oscuro que esté razonablemente accesible. Debería estar alejado de las luces de ciudades, con un campo de visión relativamente sin obstrucciones, y a contraviento de cualquier fuente importante de contaminación del aire. Elija siempre la elevación más alta posible, dado que puede así reducir el efecto de la inestabilidad atmosférica y puede garantizar que se encuentre por encima de la niebla. Aunque puede ser deseable llevar el telescopio a un lugar con el cielo oscuro, no siempre es necesario. Si quiere observar planetas, la Luna o incluso alguno de los objetos más brillantes del espacio profundo, puede hacerlo desde cualquier lugar, como su patio trasero. Intente montar el telescopio en un lugar fuera de la incidencia directa de farolas o luces domésticas para ayudar a proteger su visión nocturna. Intente evitar observar objetos que estén de 5 a 10 grados sobre el tejado de un edificio. Los techos absorben calor durante el día y lo irradian de noche. Pueden provocar una capa de turbulencias de aire directamente sobre el edificio que puede degradar la imagen. Es preferible instalar el telescopio directamente sobre una superficie de tierra o hierba. Deberían evitarse plataformas elevadas como tarimas de madera o superficies rígidas como hormigón o una acera, dado que transmiten vibraciones fácilmente, que pueden transferirse al telescopio.

Observar a través de una ventana no se recomienda, dado que el cristal distorsionará las imágenes considerablemente. Una ventana abierta puede ser aún peor, dado que el aire cálido del interior saldrá por la ventana, causando turbulencias que también afectarán a la imagen. La astronomía es una actividad de exteriores.

ELEGIR EL MEJOR MOMENTO PARA OBSERVAR

Intente no observar inmediatamente tras la puesta de sol. Cuando el sol se pone, la Tierra aún se está enfriando, causando turbulencias en el aire. A medida que transcurre la noche mejora la visión, y se reduce la contaminación del aire y las luces terrestres. Algunos de los mejores momentos de observación son de madrugada, antes del amanecer. Los objetos se pueden observar mejor cuando cruzan el meridiano, la línea imaginaria que pasa de norte a sur por un punto directamente sobre su cabeza. Es el punto en el que los objetos llegan a su punto más alto en el firmamento, y el telescopio tiene la menor cantidad de atmósfera posible. Los objetos que estén saliendo o poniéndose cerca del horizonte sufrirán más turbulencias atmosféricas dado que estará mirando por una columna de aire más alta. No siempre es necesario tener cielos sin nubes si mira planetas o la Luna. A menudo las condiciones de nublado parcial ofrecen una observación excelente.

REFRIGERAR EL TELESCOPIO

Los telescopios necesitan 10 minutos como mínimo para enfriarse a la temperatura del aire exterior. Puede tardar más si existe una gran diferencia entre la temperatura del telescopio y la del aire exterior. De este modo se minimiza la distorsión por calor dentro del telescopio (corrientes del tubo).

ADAPTACIÓN DE LOS OJOS

Si desea observar objetos del espacio profundo con un lugar con cielo oscuro, es preferible que deje que sus ojos se adapten a la oscuridad evitando exponerse a fuentes de luz blanca como linternas, faros de coche, farolas, etc. Sus pupilas tardarán aproximadamente 30 minutos para expandirse a su máximo diámetro y acumular los niveles de pigmentos ópticos para ayudar a sus ojos a ver la luz tenue de un objeto distante. Si necesita luz para ayudarlo a instalar el telescopio en la oscuridad, intente usar una linterna LED roja en la posición de brillo más baja posible y evite mirar directamente a la fuente de luz. Así tendrá la mejor posibilidad de capturar dichos objetos tenues del espacio profundo.

Al observar, es importante hacerlo con ambos ojos abiertos. Así evita la fatiga del ojo por el ocular. Si le distrae, cubra el ojo que no use con la mano o un parche. El centro del ojo funciona bien a la luz del día, pero es la zona menos sensible del ojo al intentar ver detalles sutiles con niveles de luz bajos. Cuando mire por el ocular un objeto tenue, no lo mire directamente. En su lugar, mire hacia el borde del campo de visión y el objeto se verá más brillante.

ASTROFOTOGRAFÍA

Una de las preguntas que la mayoría tienen sobre su nuevo telescopio es "¿Cómo puedo capturar imágenes con él?" Su telescopio puede fotografiar la Luna y los planetas, pero los objetos del espacio profundo precisan de un telescopio más avanzado y de un soporte con seguimiento motorizado preciso. Existen distintos métodos para usar su telescopio para fotografiar:

- **Dispositivos o cámaras directas-** Es el método más sencillo y directo y funciona bien para fotografiar la Luna y los planetas. Aguante la cámara del dispositivo contra el ocular y capture la imagen. Aunque puede usarlo con cualquier ocular, normalmente es más sencillo obtener una imagen usando un ocular de potencia menor (mayor longitud focal). Necesita un pulso firme para aguantar el teléfono contra el ocular, pero puede obtener buenos resultados.
- **DSLR-** Celestron ofrece adaptadores que le permitirán instalar un chasis DSLR Canon o Nikon al telescopio en lugar del ocular. Estará usando de hecho el telescopio como lente. Necesitará un adaptador en T para el telescopio y una arandela T para la cámara. Para obtener más información sobre los adaptadores para su modelo concreto de telescopio, visite www.celestron.com.
- **Cámaras planetarias CMOS-** Son cámaras especializadas que sustituyen al ocular de su telescopio. Se conectan al portátil por puerto USB. La cámara registra video del planeta, y el software incluido parte el video en fotogramas individuales. El software combina luego los fotogramas individuales en una sola imagen que contiene más detalles que el que fuera visible en cualquiera de los fotogramas. Este método le ofrece las mejores imágenes planetarias y lunares posibles, pero precisa que tenga un portátil en el telescopio. Para obtener más información sobre la cámara planetaria, visite www.celestron.com.

EQUIPO DE OBSERVACIÓN DEL ESPACIO PROFUNDO

Aquí encontrará algunas herramientas que serán indispensables para identificar y localizar objetos del espacio profundo:

- **Linterna roja-** Es una herramienta esencial para la astronomía del espacio profundo para leer tablas de localización o atlas estelares. Para ver la luz tenue procedente de objetos distantes como nebulosas o galaxias, los ojos deben estar totalmente adaptados con los iris abiertos al máximo para dejar pasar la mayor cantidad de luz posible del telescopio por ellos. La luz blanca de una linterna normal hace que los iris se cierren y puede tardar hasta media hora en volver a adaptar los ojos a la oscuridad. La luz roja no tiene el mismo efecto. Recomendamos cualquier linterna LED roja que tenga una emisión de brillo ajustable, dado que incluso la luz roja, si es muy brillante, puede afectar a su visión nocturna. Están disponibles en la mayoría de comercios de telescopios, y también puede encontrarlas en tiendas de camping y ferreterías.
- **Planisferio-** Un planisferio es un mapa estelar circular especial que le mostrará la ubicación aproximada de constelaciones sobre su cabeza, para poder moverse por el firmamento. A diferencia de los mapas que puede imprimir por Internet, los planisferios sirven para cualquier momento del año, no solamente la fecha o mes para el que los imprimió. El planisferio consiste en dos discos redondos unidos por el centro. El disco inferior tiene un mapa de las constelaciones, mientras que el superior tiene una ventana recortada en él, mostrando una porción del mapa celeste. Girando los discos interior y exterior para que coincidan con su fecha y hora concretos, el mapa mostrará solamente las constelaciones visibles en ese momento. Es práctico para localizar ubicaciones aproximadas de estrellas brillantes y constelaciones. Los planisferios están disponibles en librerías y para distintas latitudes geográficas en los hemisferios norte o sur. Asegúrese de elegir uno adecuado para su ubicación. Para obtener información más detallada sobre la ubicación de objetos del espacio profundo en constelaciones necesitará un atlas estelar.
- **Atlas estelar-** Los atlas estelares son los mapas del firmamento. Cuando haya encontrado una constelación con el planisferio, el atlas estelar le mostrará una vista detallada y cercana de la región del firmamento, mostrando las estrellas y objetos del espacio profundo que se encuentran en ella. Están disponibles en muchos comercios de telescopios y librerías.
- **Apps y programas-** Existen muchas aplicaciones disponibles para teléfonos o tabletas que sustituyen el planisferio y los mapas estelares. Le ofrecen representaciones digitales del firmamento nocturno en el dispositivo, permitiendo pasar de una vista amplia a una aumentada con solo tocar la pantalla. Pueden descargarse o adquirirse en la tienda de aplicaciones, según su plataforma. También existen excelentes programas de simulación astronómica disponibles para su ordenador, que le mostrarán mapas estelares muy detallados en pantalla y pueden ayudar a planificar una sesión de observación antes de salir al exterior con mapas estelares imprimibles personalizados para su fecha, ubicación y hora.

SALTO ESTELAR

La forma más sencilla de orientarse en el firmamento es una técnica llamada salto estelar. Lo primero que tiene que hacer es medir el campo de visión del localizador. Mire al cielo y localice una constelación con estrellas brillantes. Puede usar su planisferio o app de astronomía para ayudarlo a identificarla. Encuentre el mapa en el atlas estelar que muestre esta constelación. Centre el localizador en cualquier estrella brillante que pueda reconocer en el mapa. Ponga la cabeza a 12 pulgadas (30 cm) de la ventana reflectante del localizador StarPointer y mueva el telescopio de forma que la estrella brillante esté en el borde del campo de visión de la ventana (no importa la dirección que elija). Sin mover el telescopio, mire por la ventana del localizador y localice otra estrella cerca del borde opuesto del campo de visión. Localice la segunda estrella en el mapa. Mida la distancia entre estas dos estrellas en el mapa con una regla. Esta distancia representa un campo de visión del localizador en su atlas. Ahora puede usar esta medida para localizar objetos celestes.

CUIDADOS Y LIMPIEZA DEL TELESCOPIO

Aunque su telescopio necesita poco mantenimiento, existen algunos aspectos a recordar que garantizarán que el telescopio funcione lo mejor posible. Ocasionalmente puede acumularse polvo y/o humedad en la lente del objetivo. Tenga especial cuidado al limpiar cualquier instrumento para evitar dañar la óptica.

Si se ha acumulado polvo en la óptica, siga estos pasos para limpiar el telescopio:

1. Use un pincel de pelo de camello para quitar suavemente las partículas más grandes.
2. Use una perilla de fotografía para eliminar restos sueltos. También puede usar un bote de aire comprimido, como los que pueden adquirirse para limpiar teclados de ordenador, pero tenga cuidado. No use botes casi vacíos y asegúrese de aguantar el bote vertical. No hacerlo puede provocar que el bote expulse propelente sobre la óptica. Aguante la superficie de la óptica en ángulo respecto al chorro de aire del bote durante aproximadamente dos a cuatro segundos.
3. Use una solución de limpieza óptica de alcohol isopropílico y agua destilada en una mezcla 50/50. Aplique la solución en un papel tisú sin perfumar y aplique el tisú a la óptica. Las pasadas, con poca presión, deben ir del centro de la lente (o espejo) a la sección exterior en líneas rectas, como radios de una rueda. **NO frote en círculos.**

Puede experimentar acumulación de humedad en la óptica del telescopio durante una sesión de observación. Si quiere seguir observando, debe eliminar la humedad, sea con un secador (en posición baja) o apuntando el telescopio al suelo hasta que se evapore la humedad. Si se condensa humedad en el interior de la óptica, retire los accesorios del telescopio. Ponga el telescopio en un lugar sin polvo y apúntelo hacia abajo hasta que se evapore la humedad.

Para minimizar la necesidad de limpiar su telescopio, coloque todas las tapas de las lentes cuando haya terminado de usarlo. Como los tubos del telescopio no son estancos, las tapas deben colocarse sobre las aperturas cuando no lo use. Evitará que entren contaminantes en el tubo óptico.

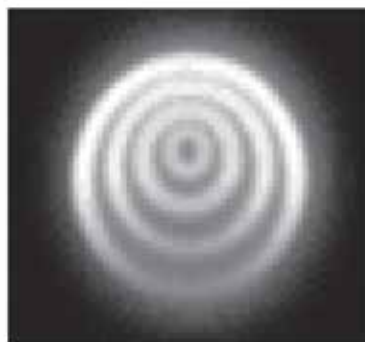
Los ajustes y limpieza internos solamente deben ser realizados por el departamento de reparaciones de Celestron. Si su telescopio precisa de limpieza interna, llame a la fábrica para obtener un número de autorización de devolución y un presupuesto.

COLIMACIÓN DE UN TELESCOPIO NEWTONIANO

Aunque su telescopio precisa de poco mantenimiento, debe recordar algunos aspectos que garantizarán que el telescopio funcione lo mejor posible. El colimado es el proceso de alineación de los espejos del telescopio de forma que funcionen correctamente para ofrecer luz adecuadamente enfocada en el ocular. Observando imágenes estelares desenfocadas puede comprobar si la óptica de su telescopio está alineada. Ponga una estrella en el centro del campo de visión y mueva el enfoque de forma que la imagen quede ligeramente enfocada. Si las condiciones de observación son buenas, verá un círculo de luz central (el disco aéreo) envuelto por varios aros de difracción. Si las arandelas son simétricas alrededor del disco aéreo, la óptica del telescopio está correctamente colimada.



Correctamente alineado

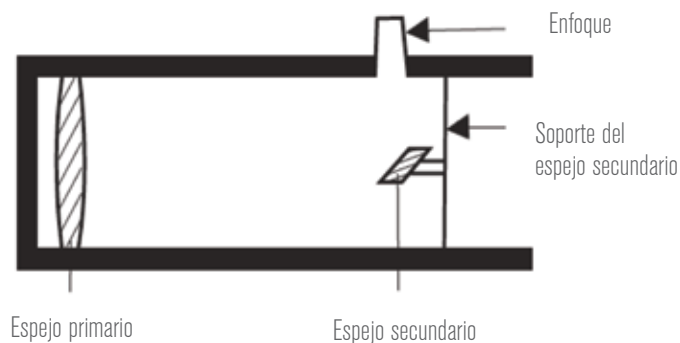


Necesita colimado

El colimado es un proceso sencillo y funciona de este modo:

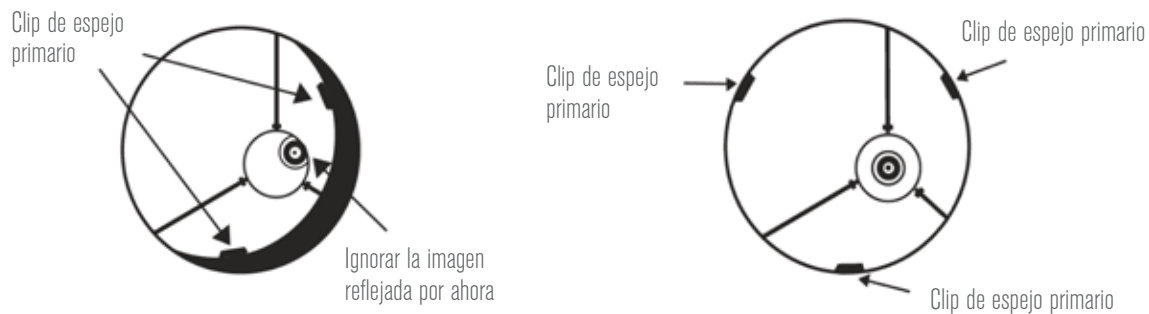
Saque la tapa de la lente que cubre la parte anterior del telescopio y mire por el tubo óptico. En la parte inferior verá el espejo primario, sostenido con tres clips separados en 120° , y en la parte superior un pequeño espejo secundario aguantado por un soporte e inclinado 45° respecto al enfoque fuera de las paredes del tubo.

El espejo secundario está alineado ajustando los tres tornillos más pequeños que rodean el perno central. El espejo primario se ajusta con los tres tornillos de ajuste de la parte posterior de su telescopio. Los tres tornillos de fijación a su lado sirven para aguantar el espejo en posición tras el colimado.



ALINEACIÓN DEL ESPEJO SECUNDARIO

Apunte el telescopio a una pared iluminada y mire en el enfoque sin instalar el ocular. Puede tener que girar el mando de enfoque unas vueltas hasta que la imagen reflejada del enfoque salga de vista. Tenga el ojo contra la parte posterior de y centrado en el tubo de enfoque. Busque los tres clips que aguantan el espejo primario en posición. Si no puede verlos indica que tiene que ajustar los tres pernos de la parte superior del soporte del espejo secundario, con una llave allen o destornillador Philips. Tendrá que aflojar alternativamente uno y compensar apretando los otros dos. Deténgase cuando vea los tres clips del espejo. Asegúrese de que los tres tornillos de alineación estén fijados para asegurar el espejo secundario en posición.



ALINEACIÓN DEL ESPEJO PRIMARIO

Tiene 3 pernos grandes y 3 tornillos pequeños en la parte posterior del telescopio. Los pernos grandes son los tornillos de ajuste y los tornillos pequeños son los tornillos de bloqueo. Afloje los pernos grandes unas vueltas. Pase la mano por delante del telescopio manteniendo el ojo en el enfoque, verá la imagen de su mano reflejada. La idea es ver la orientación del espejo primario, lo que hace deteniéndose en el punto en el que la imagen reflejada del espejo secundario esté más cercana al borde del espejo primario.

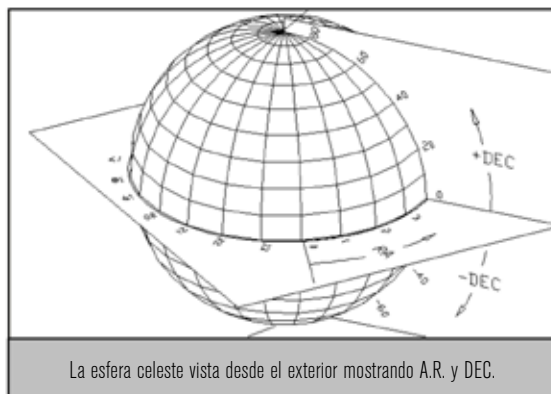
Cuando llegue a este punto, deténgase de deje la mano en posición mirando al extremo posterior del telescopio, ¿ve un tornillo de ajuste? Si está, querrá aflojarlo (gire el tornillo a la izquierda) para alejar el espejo de ese punto. Si no encuentra un tornillo de ajuste, pase al otro lado y apriete el tornillo de ajuste del otro lado. De este modo pondrá el espejo gradualmente en alineación. (Es recomendable que un amigo le ayude en el colimado del espejo primario. Haga que su amigo ajuste los tornillos según sus instrucciones mientras mira en el enfoque).

Cuando sea de noche salga y apunte el telescopio a la estrella polar, la estrella del norte. Con un ocular en el enfoque, desenfoque la imagen. Verá la misma imagen, solamente que estará iluminada por la luz de las estrellas. En caso necesario, repita el proceso de colimado y mantenga la estrella centrada mientras manipula el espejo.



UN COMENTARIO SOBRE LOS CÍRCULOS

El sistema de coordenadas celestes es muy similar al sistema de latitud y longitud que usamos para mapear la Tierra. Al igual que las ciudades en un mapa tienen unas coordenadas de latitud y longitud concretas, las estrellas y objetos del espacio profundo tienen coordenadas de ascensión derecha (RA) y declinación (DEC) en la esfera celeste. Su telescopio incluye dos círculos, uno en el eje RA y otro en el eje DEC. Los círculos son discos de 3 pulgadas (8 cm) de diámetro con marcas graduadas en los mismos que pueden ayudarle a localizar objetos en el firmamento mediante sus coordenadas celestes.



El eje de declinación de la esfera celeste se divide en grados, minutos y segundos de arco. En el ecuador celeste, la coordenada Dec es de 0 grados, siendo +90 grados el polo norte celeste y -90 grados el polo sur celeste. La coordenada Dec le indica la distancia a la que tiene que ir en dirección norte o sur para encontrar el objeto.

Antes de que pueda usar los círculos para encontrar objetos en el firmamento deberá alinear los círculos. Cuando realice la alineación polar del soporte, estará alineando realmente el círculo DEC, por lo que no necesita hacer nada más. El círculo RA necesita de cierta información adicional.

En el círculo RA dispone de dos grupos numéricos en el dial - uno para el hemisferio norte (inferior) y otro para el hemisferio sur (superior). Para alinear el círculo RA necesita poder identificar algunas de las estrellas más brillantes del firmamento. Puede usar un atlas o app de astronomía para ayudarle.

Para alinear el círculo RA:

1. Localice una estrella brillante cerca del ecuador celeste. Cuanto más alejado esté del polo celeste mejor será la lectura del círculo RA.
2. Use su atlas estelar o la app de astronomía para ver las coordenadas de la estrella seleccionada.
3. Centre la estrella en el ocular del telescopio.
4. Sin mover el telescopio, gire el círculo RA hasta que el indicador RA apunte a la coordenada RA de la estrella seleccionada.

NOTA: El círculo RA **NO** se mueve a medida que el telescopio se mueve en RA, debe alinearse cada vez que desee usarlo para localizar un objeto. Sin embargo, no necesita usar una estrella cada vez. En su lugar, puede usar las coordenadas del objeto que esté observando actualmente.

Cuando los círculos estén alineados, puede usarlos para localizar cualquier objeto con coordenadas conocidas. La precisión de sus círculos es directamente proporcional a la precisión de su alineación polar.

Para encontrar objetos usando los círculos:

- 1.** Seleccione un objeto que desee observar. Use un planisferio, atlas estelar, o app de astronomía para asegurarse de que el objeto elegido se encuentra sobre el horizonte. Cuando se familiarice con el firmamento dejará de necesitar hacerlo.
- 2.** Consulte las coordenadas del objeto.
- 3.** Aguante el telescopio y suelte el mando de bloqueo DEC.
- 4.** Mueva el telescopio en declinación hasta que el indicador apunte a la coordenada de declinación correcta.
- 5.** Cierre el mando de bloqueo DEC para evitar que se mueva el telescopio.
- 6.** Aguante el telescopio y suelte el mando de bloqueo RA.
- 7.** Mueva el telescopio en RA hasta que el indicador apunte a la coordenada correcta.
- 8.** Cierre el mando de bloqueo RA para evitar que se mueva el telescopio.

Debido a errores en la alineación polar y la precisión de los círculos en este soporte ecuatorial, es improbable que vea el objeto en el ocular del telescopio. Deberá usar los controles de movimiento lento y realizar una lenta búsqueda circular hasta que el objeto entre en el campo de visión.

Tenga en cuenta que el uso de círculos es más complicado que el método sencillo descrito en la sección "Salto estelar" anterior. Se recomienda comenzar con el salto estelar, pero con un poco de paciencia y práctica, los círculos pueden funcionar para localizar objetos en el firmamento nocturno. Intente practicar con estrellas brillantes o planetas, dado que son relativamente fáciles de ver en el localizador cuando tenga práctica.

NOTAS

NOTAS

GARANTÍA LIMITADA POR DOS AÑOS DE CELESTRON

A. Celestron garantiza que su telescopio está libre de defectos de material y mano de obra durante dos años. Celestron reparará o sustituirá el producto o parte del mismo si, al ser inspeccionado por Celestron, demuestra tener defectos de materiales o mano de obra. Como condición de la obligación de Celestron de reparar o sustituir dicho producto, el producto debe ser devuelto a Celestron junto con una prueba de compra adecuada para Celestron.

B. Debe obtener un número de autorización de devolución adecuado de Celestron antes de la devolución. Llame a Celestron al (310) 328-9560 para recibir el número que se mostrará en el exterior del recipiente de transporte.

Cualquier devolución debe ir acompañada de una declaración por escrito en la que conste el nombre, dirección y número de teléfono de contacto durante el día del propietario, junto con una breve descripción de cualquier defecto reclamado. Las piezas o productos sustituidos pasarán a ser propiedad de Celestron.

El cliente será responsable de cualquier coste de transporte y seguros, tanto hacia como desde la fábrica de Celestron, y deberá cubrir dichos costes.

Celestron realizará todos los esfuerzos razonables para reparar o sustituir cualquier telescopio cubierto por esta garantía en los treinta días siguientes a su recepción. En caso de que la reparación o sustitución precise de más de treinta días, Celestron se lo notificará al cliente. Celestron se reserva el derecho de sustituir cualquier producto que haya sido dejado de fabricar por un nuevo producto de valor y función comparables.

Esta garantía será nula y sin efecto en caso de que un producto cubierto haya sido modificado en su diseño o función, o sometido a abuso, mal uso, mala manipulación o reparación no autorizada. Además, las averías o deterioro del producto por desgaste normal no están cubiertos por esta garantía.

CELESTRON RECHAZA TODA RESPONSABILIDAD POR GARANTÍAS, EXPLÍCITAS O IMPLÍCITAS, SEAN DE ADECUACIÓN COMERCIAL PARA UN USO ESPECÍFICO, SALVO LAS EXPLÍCITAMENTE AQUÍ DECLARADAS. LA ÚNICA OBLIGACIÓN DE CELESTRON EN ESTA GARANTÍA LIMITADA SERÁ REPARAR O SUSTITUIR EL PRODUCTO CUBIERTO, DE ACUERDO CON LOS TÉRMINOS AQUÍ ESTABLECIDOS. CELESTRON RECHAZA EXPLÍCITAMENTE CUALQUIER PÉRDIDA DE BENEFICIOS, DAÑOS GENERALES, ESPECIALES, INDIRECTOS O CONSIGUIENTES QUE PUEDAN RESULTAR DE LA VULNERACIÓN DE CUALQUIER GARANTÍA, O SURJAN DEL USO O INCAPACIDAD PARA USAR CUALQUIER PRODUCTO CELESTRON. CUALQUIER GARANTÍA IMPLÍCITA QUE NO PUEDA REHUSARSE SERÁ LIMITADA EN SU DURACIÓN A UN TÉRMINO DE DOS AÑOS DESDE LA FECHA DE COMPRA ORIGINAL.

Algunos estados no permiten la exclusión o limitación de datos incidentales o consiguientes, ni permiten limitar el tiempo que dura una garantía implícita, por lo que las limitaciones indicadas o exclusiones pueden no serle aplicables.

Esta garantía le ofrece derechos legales específicos, y puede tener otros derechos, que varían según el estado.

Celestron se reserva el derecho de modificar o cesar, sin previo aviso, cualquier modelo o estilo de telescopio.

Si surgen problemas de garantía, o necesita asistencia al usar su telescopio, contacte con: Celestron - 800.421.9649

NOTA: Esta garantía tiene validez para clientes de EE.UU. y Canadá que hayan adquirido este producto en un vendedor autorizado de Celestron en EE.UU. y Canadá. La garantía fuera de EE.UU. y Canadá solamente tiene validez para clientes que hayan comprado en un distribuidor internacional de Celestron o un vendedor de Celestron autorizado en el país específico. Contacte con ellos para obtener servicio de garantía.

NOTA FCC: Este dispositivo cumple con el apartado 15 de las normas FCC. Su uso está sujeto a las dos condiciones siguientes: (1) Este dispositivo no puede causar interferencias dañinas, y (2) este dispositivo debe aceptar cualquier interferencia, incluyendo interferencias que puedan causar un funcionamiento no deseado del dispositivo.

El diseño y las especificaciones del producto están sujetos a cambios sin notificación previa. Este producto ha sido diseñado y está pensado para ser usado por personas de 14 años o más de edad.



© 2017 Celestron • Todos los derechos reservados
www.celestron.com
2835 Columbia Street • Torrance, CA 90503 EE.UU.
Teléfono: 800.421.9649



01-17
Impreso en China

 **CELESTRON**[®]

ASTROMASTER[®]

TELESCOPIO EQ

ITALIANO



MANUALE D'USO

Modelli N. 21062, 21064, 31035, 31042, 31045, 31051
(70EQ, 90EQ, 76EQ, 114EQ, 130EQ, 130EQ-MD)



SOMMARIO

AVVERTIMENTO SOLARE	5
CONTENUTO DELLA CONFEZIONE.	6
MONTAGGIO DEL TELESCOPIO.	7
Il treppiede e la montatura equatoriale	7
Barra di contrappeso e contrappesi	8
Riproduzione al rallentatore	8
Tubo del telescopio	9
Diagonale raddrizzatore dell'immagine (solo per telescopi rifrattori)	9
L'oculare	10
Cercatore StarPointer	10
Sostituzione della batteria del cercatore	11
Spostamento del telescopio	11
Allineamento del cercatore	12
Bilanciamento del telescopio	12
ALLINEAMENTO POLARE	14
PRIMA SESSIONE DI OSSERVAZIONE ASTRONOMICA	16
La Luna.	16
SUGGERIMENTI SULL'OSSERVAZIONE CELESTE.	16
Ingrandimento	16
Campo di visualizzazione	16
I pianeti.	17
Oggetti non stellari	17
Condizioni del cielo	18
Selezione del sito osservativo.	18
Scegliere il miglior momento per l'osservazione	18
Raffreddamento del telescopio	19
Adattare gli occhi	19
Astrofotografia	19
Attrezzatura per l'osservazione non stellare	20
Star Hopping	20
CURA E PULIZIA DEL TELESCOPIO	21
COLLIMAZIONE DEL TELESCOPIO NEWTONIANO	22
Allineamento dello specchio secondario	23
Allineamento dello specchio primario.	23
Una parola sui cerchi graduati	24
NOTE	26
GARANZIA LIMITATA DI DUE ANNI CELESTRON.	28

AVVERTIMENTO SOLARE

- Non guardare mai direttamente il Sole a occhio nudo o con un telescopio a meno che non si disponga del corretto filtro solare. Ciò potrebbe causare danni irreversibili agli occhi.
- Mai utilizzare il telescopio per proiettare un'immagine del Sole su una qualsiasi superficie. L'accumulo interno di calore può danneggiare il telescopio e i relativi accessori ad esso fissati.
- Mai utilizzare un filtro solare per oculare o un prisma di Herschel. L'accumulo di calore all'interno del telescopio può causare l'incrinatura o la rottura di tali dispositivi, lasciando che la luce solare non filtrata passi attraverso l'occhio.
- Mai lasciare il telescopio incustodito, sia in presenza di bambini sia di adulti che potrebbero non avere familiarità con le corrette procedure di funzionamento del telescopio.

CONTENUTO DELLA CONFEZIONE

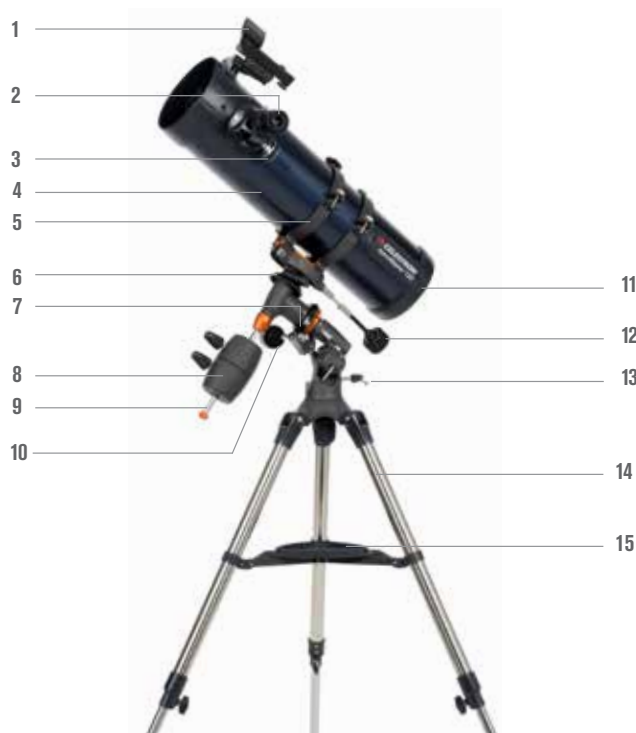
Si consiglia di conservare la confezione del telescopio per riporlo quando non in uso. Disimballare la confezione con attenzione poiché alcuni componenti sono di piccole dimensioni. Utilizzare l'elenco dei componenti che segue per verificare che siano presenti tutti i componenti e gli accessori.

ELENCO COMPONENTI



(Mostrato rifrattore 90 mm)

1. Obiettivo
2. Tubo del telescopio
3. Cerchio graduato DEC
4. Cerchio graduato AR
5. Manopole rallentatore AR
6. Contrappeso
7. Barra di contrappeso
8. Treppiede
9. Vassoio porta accessori
10. Staffa di montaggio a coda di rondine
11. Cercatore StarPointer
12. Oculare
13. Diagonale per raddrizzare le immagini
14. Manopola di messa a fuoco
15. Manopola rallentatore DEC
16. Montatura equatoriale
17. Vite di regolazione latitudine



(In figura, telescopio Newtoniano da 130 mm)

1. Cercatore StarPointer
2. Oculare
3. Manopola di messa a fuoco
4. Tubo del telescopio
5. Anelli del tubo
6. Cerchio graduato DEC
7. Cerchio graduato AR
8. Contrappesi
9. Barra di contrappeso
10. Manopole rallentatore AR
11. Specchio primario
12. Manopola rallentatore DEC
13. Vite di regolazione latitudine
14. Treppiede
15. Vassoio porta accessori

MONTAGGIO DEL TELESCOPIO

IL TREPPIEDE E LA MONTATURA EQUATORIALE

La presente sezione fornisce le istruzioni di assemblaggio per il telescopio AstroMaster EQ. Il telescopio deve essere configurato all'interno per la prima volta, in modo che sia semplice individuare le varie parti e familiarizzare con la corretta procedura di assemblaggio prima di tentarla all'esterno.

Per assemblare il treppiede:

1. Rimuovere il treppiede e la montatura dalla confezione.
2. Allentare le manopole manuali sulla parte inferiore di ciascuna gamba ed estendere la sezione interna della gamba all'altezza desiderata. Stringere le manopole per fissare le gambe, prestando attenzione a non stringere in modo eccessivo.
3. Mettere il treppiede in posizione verticale e tirare le gambe dello stesso verso l'esterno fino a quando il supporto centrale non scatta in posizione.
4. Posizionare il vano accessori sopra la linea centrale della leva sopra il foro effettuato nel centro. Ruotare il vassoio fino a quando le linguette ai tre punti del vassoio scattano in posizione su ciascun braccio della leva centrale del treppiede.



La montatura equatoriale consente di inclinare l'asse di rotazione del telescopio in modo da poter seguire gli obiettivi celesti man mano che si spostano nel cielo.

1. Estrarre la montatura dalla confezione.
2. Impostare la base di protrusione della montatura equatoriale sul rientro della sommità della testa del treppiede.
3. Utilizzare la manopola grande manuale sotto la testa del treppiede per fissare la montatura al treppiede. Avvitare finché non è serrata, ma non eccessivamente.
4. Avvitare la vite di regolazione della latitudine nel foro filettato sulla parte posteriore della montatura. E' necessario solo avvitare brevemente poiché si procederà a regolare la vite in seguito.



BARRA DI CONTRAPPESO E CONTRAPPESI

Al fine di bilanciare correttamente il tubo del telescopio, la montatura è fornita di una barra di contrappeso e contrappesi.

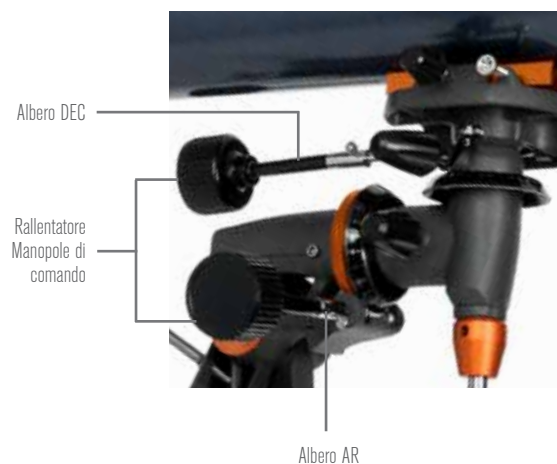
1. Rimuovere la barra del contrappeso dalla confezione e avvitarla nel foro filettato sulla parte inferiore dell'asse di declinazione della montatura.
2. Rimuovere la vite di sicurezza per contrappesi arancione dalla parte inferiore della barra di contrappeso.
3. Allentare la grande manopola di bloccaggio nera sul lato del contrappeso. Assicurarsi che il foro nel contrappeso sia privo di ostacoli.
4. Far scorrere il contrappeso sull'albero del contrappeso circa a metà, quindi serrare la manopola di bloccaggio per tenere il contrappeso in posizione. Se il telescopio è dotato di più di un contrappeso, aggiungere il secondo peso nello stesso modo del primo.
5. Sostituire la vite di sicurezza per contrappesi arancione sul retro della parte posteriore dell'albero di contrappeso. Ciò impedirà al contrappeso di cadere dall'albero, se accidentalmente dovesse allentarsi.



RIPRODUZIONE AL RALLENTATORE

La montatura AstroMaster è dotata di due manopole di comando rallentatore che consentono di effettuare accurate regolazioni di puntamento al telescopio in ascensione retta e nella declinazione degli assi, indicati anche come AR e DEC. Per installare le manopole, procedere come segue:

1. Individuare le due manopole nella confezione. Entrambe le manopole sono identiche, quindi non importa quale si utilizza su ciascun asse.
2. Allentare la vite sull'estremità di una delle due manopole.
3. Far scivolare sull'estremità dell'albero di trasmissione AR fino in fondo e stringere la vite di fermo per bloccare in posizione. La manopola AR può essere utilizzata sul lato destro o sinistro della montatura, in base alle proprie preferenze.
4. Far scorrere l'altra manopola sull'albero di trasmissione DEC e serrare la vite di fermo per fissare.



TUBO DEL TELESCOPIO

Il tubo del telescopio si applica alla montatura equatoriale utilizzando un sistema di sgancio rapido a coda di rondine. Per tutti i telescopi rifrattori e per quello newtoniano da 76 mm, la coda di rondine è applicata direttamente al tubo del telescopio. Per telescopi newtoniani da 114 mm e 130 mm, la coda di rondine è applicata agli anelli del tubo che contengono il tubo del telescopio.

1. Allentare le due manopole di montaggio situate sul lato della staffa di montaggio a coda di rondine sulla parte superiore della montatura equatoriale. Assicurarsi che siano ritirate quanto basta per la barra a coda di rondine per far scivolare la staffa di montaggio.
2. Far scorrere la barra a coda di rondine sul tubo del telescopio nella staffa di montaggio, assicurandosi che la coda di rondine sia completamente inserita all'interno della staffa.
3. Serrare entrambe le manopole di montaggio per tenere fermo il telescopio in posizione.



DIAGONALE RADDRIZZATORE DELL'IMMAGINE (solo per telescopi rifrattori)

La diagonale per raddrizzare le immagini si fissa sul retro del telescopio e contiene un piccolo prisma che riflette la luce a un angolo di 90°, consentendo una posizione di osservazione più comoda. La maggior parte dei telescopi astronomici offriranno una vista che è sia rovesciata o invertita da sinistra a destra. La diagonale per raddrizzare le immagini corregge l'immagine stessa in modo da avere un'immagine correttamente orientata al 100%, rendendo il telescopio ideale per l'osservazione terrestre durante il giorno.

Per inserire la diagonale sui rifrattori AstroMaster 70EQ e 90EQ:

1. Rimuovere i coperchi da entrambi i lati della diagonale.
2. Allentare le viti sul retro del focheggiatore ed estrarre il piccolo coperchio antipolvere.
3. Inserire il tubo più piccolo della diagonale sul retro del focheggiatore e fissarlo serrando le viti. È possibile regolare l'angolo della diagonale stellare in qualsiasi direzione desiderata prima di stringere le viti.



NOTA: La diagonale per raddrizzare le immagini non raggiungerà la messa a fuoco sul telescopio newtoniano. L'immagine risulterà sempre capovolta. I telescopi newtoniani sono dotati di uno speciale oculare raddrizzatore da 20 mm che dispone di un prisma raddrizzatore incorporato per uso terrestre.

L'OCULARE

Il telescopio è dotato di due oculari. Il 20 mm che darà basso ingrandimento con un moderatamente largo campo di visualizzazione. Il 10 mm darà maggiore ingrandimento, ma un campo visivo più stretto. È possibile acquistare altri oculari per aumentare o diminuire l'ingrandimento al livello desiderato. Durante la prima localizzazione di un oggetto, è preferibile utilizzare l'oculare da 20 mm, quindi, una volta che l'oggetto è centrato, cambiare l'oculare con quello da 10 mm per "zoomare" su di esso.

Per installare l'oculare sui rifrattori AstroMaster 70EQ e 90EQ:

1. Allentare le viti sull'estremità aperta della diagonale stellare.
2. Inserire il barilotto argentato dell'oculare da 20 mm nella diagonale stellare.
3. Serrare le viti per fissare l'oculare in posizione.
4. Per vedere l'immagine il più nitido possibile, mettere a fuoco guardando attraverso l'oculare e ruotando lentamente le manopole di messa a fuoco fino a quando l'immagine non è completamente nitida.



Per installare l'oculare sui telescopi newtoniani AstroMaster 76EQ, 114EQ e 130EQ:

1. Allentare la vite sul retro posteriore del focheggiatore ed rimuovere il coperchio antipolvere.
2. Inserire il barilotto color argento dell'oculare da 20 mm direttamente nel focheggiatore.
3. Serrare la vite per fissare l'oculare in posizione.
4. Per vedere l'immagine il più nitido possibile, mettere a fuoco guardando attraverso l'oculare e ruotando lentamente le manopole di messa a fuoco fino a quando l'immagine non è completamente nitida.

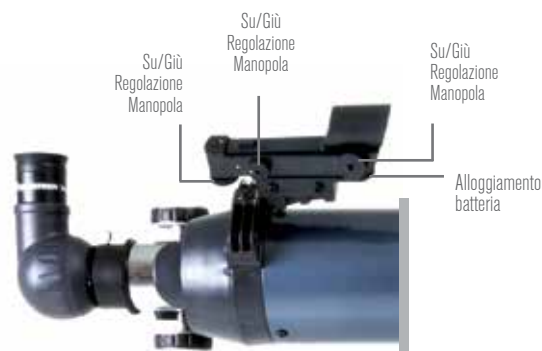


CERCATORE STARPOINTER

Il telescopio è dotato di un cercatore StarPointer a puntino rosso che viene utilizzato come strumento di visione quando si punta il telescopio a un oggetto stabilito.

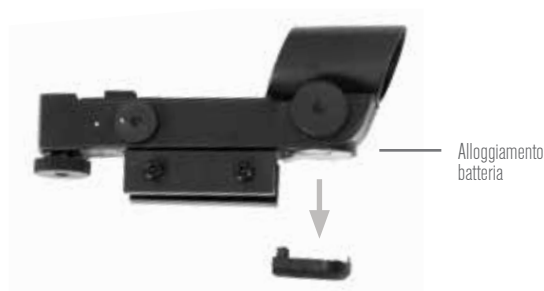
Per installare il cercatore procedere come segue:

1. Allentare le due viti con testa a croce sul lato del cercatore e far scorrere il morsetto sopra la staffa a coda di rondine vicino il focheggiatore del telescopio. L'ampia finestrella del cercatore dovrebbe essere rivolta verso la parte anteriore del telescopio.
2. Fissare il cercatore in posizione serrando le due viti con testa a croce. Non serrare troppo le viti. Basta serrare bene.
3. Rimuovere la piccola linguetta di plastica sotto il coperchio della batteria. Essa viene applicata che la batteria si scarichi accidentalmente durante il trasporto.



SOSTITUZIONE DELLA BATTERIA DEL CERCATORE

Per sostituire la batteria StarPointer, rimuovere il finder dall'alloggiamento e capovolgerlo. Il vano batterie si trova proprio sotto il gruppo delle lenti grandi. Utilizzando un piccolo cacciavite o unghia, sollevare delicatamente verso l'alto dal coperchio per rimuoverlo. La batteria è tenuta in posizione da un contatto a molla. Sollevare questo contatto delicatamente e girare lateralmente il finder. La batteria deve scivolare fuori. Sostituire la batteria con una batteria a bottone interna tipo CR2032 da 3 Volt. Inserire la nuova batteria sotto il contatto, facendo in modo che il polo positivo della batteria (lato contrassegnato con una "+") sia rivolto verso l'alto, verso il contatto a molla. La batteria deve scattare in posizione. Sostituire il coperchio allineando i perni sul coperchio con i fori nel cercatore e premendola verso il basso. Assicurarsi di smaltire la batteria vecchia secondo le leggi locali.



SPOSTAMENTO DEL TELESCOPIO

La montatura equatoriale AstroMaster è stata progettata per muoversi in due direzioni in base al sistema delle coordinate celesti. L'asse di ascensione retta, o AR, muove il telescopio in direzione est/ovest). L'asse di declinazione, o DEC, muove il telescopio in direzione nord/sud. Spostando il telescopio in AR e DEC, sarà possibile puntarlo in qualsiasi punto del cielo.

Per spostare il telescopio su lunghe distanze:

1. Svitare le manopole di frizione AR e DEC, situate sul lato della montatura ruotandole in senso antiorario. In tal modo il telescopio potrà a girare liberamente in ogni direzione.
2. Spostare il telescopio manualmente in AR e DEC fino a quando non si è vicini alla posizione desiderata.
3. Serrare le due manopole di frizione in senso orario per fissare la montatura in posizione.

Per effettuare accurate regolazioni di puntamento del telescopio:

1. Assicurarsi che entrambe le frizioni siano bloccate.
2. Ruotare la manopola rallentatore AR o DEC come richiesto per centrare un oggetto nella vista oculare.

NOTA: Se le frizioni risultano sbloccate, le manopole rallentatore non funzioneranno.



ALLINEAMENTO DEL CERCATORE

Il cercatore StarPointer è un mirino reflex che utilizza un LED rosso per proiettare un puntino rosso sulla finestra di vetro rotondo. Quando si guarda attraverso la finestra, si vede il puntino rosso sovrapposto all'obiettivo. La prima volta che si monta il telescopio è necessario allineare il mirino con le ottiche principali del telescopio. Sebbene questa operazione possa essere effettuata di notte, è decisamente più facile da eseguire di giorno. Una volta completato l'allineamento del cercatore, non è necessario ripetere questo passaggio salvo che il cercatore riceva un colpo o cada.

Installazione del cercatore StarPointer

1. Portare fuori il telescopio durante il giorno. A occhio nudo, individuare un oggetto facilmente riconoscibile, come ad esempio un semaforo, la targa di un'auto o un albero di grandi dimensioni. L'oggetto deve trovarsi il più lontano possibile, ma almeno a 400 metri.
2. Rimuovere dal telescopio il tappo principale e assicurarsi che l'oculare da 20 mm sia installato.
3. Muovere il telescopio verso destra o sinistra, verso l'alto o il basso in modo tale che il telescopio sia puntato verso l'oggetto individuato al punto 1.
4. Osservare attraverso il telescopio mediante l'oculare e muovere manualmente il telescopio fino a quando l'oggetto scelto non si trova al centro del campo visivo. Se l'immagine è sfuocata, ruotare le manopole di messa a fuoco fino a raggiungere una buona messa a fuoco.
5. Una volta centrato l'oggetto nell'oculare da 20 mm, accendere il cercatore ruotando la manopola di accensione/luminosità sul lato dell'unità fino a fine corsa.
6. Con la testa a circa 30 cm (1 piede) dal cercatore, guardare attraverso la finestrella rotonda e trovare il puntino rosso. Sarà probabilmente vicino, non al di sopra dell'oggetto quando si guarda attraverso l'oculare da 20 mm.
7. Senza muovere il telescopio, ruotare le due manopole di regolazione sul lato e sotto il cercatore. Una controlla il movimento sinistra-destra del reticolo, mentre l'altra controlla il movimento su-giù. Regolare entrambe fino a quando il punto rosso non si trova esattamente sopra l'oggetto osservato mediante l'oculare da 20 mm.

Quindi individuare altri oggetti distanti per praticare il puntamento del telescopio. Osservare attraverso la finestrella del cercatore StarPointer e collocare il punto rosso sull'oggetto che si desidera osservare verificando che si trovi nell'oculare da 20 mm del telescopio.

NOTA: Per risparmiare batteria, assicurarsi di spegnere il cercatore StarPointer quando non in uso.

BILANCIAMENTO DEL TELESCOPIO

Per eliminare lo stress non dovuto sulla montatura e gli ingranaggi, il telescopio deve essere bilanciato correttamente sulla montatura.

Per bilanciare la montatura nell'asse AR:

1. Assicurarsi che il telescopio sia collegato correttamente alla montatura con le manopole di montaggio a coda di rondine saldamente fissate.
2. Rilasciare la manopola della frizione AR per consentire al telescopio di ruotare liberamente su tale asse.
3. Ruotare il telescopio nell'asse AR in modo che il tubo del telescopio si trovi sul lato della montatura e la barra del contrappeso sia parallela al suolo.
4. Lentamente rilasciare la presa sul telescopio e vedere quale lato è più pesante – il lato del tubo del telescopio o quello del contrappeso.
5. Se il lato del contrappeso risulta più pesante, allentare la manopola di bloccaggio del contrappeso e farlo scorrere lievemente fino all'albero (verso il tubo del telescopio), bloccare il contrappeso nella sua nuova posizione e riprovare.
6. Se il lato del tubo di telescopio risulta più pesante, allentare la manopola di bloccaggio del contrappeso e farlo scorrere lievemente in basso verso l'albero (dal tubo del telescopio), bloccare il contrappeso nella sua nuova posizione e riprovare.
7. Continuare a regolare la posizione del peso fino a quando il telescopio, lasciandolo andare, non si sposti verso l'alto o verso il basso.

Per bilanciare il telescopio nell'asse DEC:

1. Posizionare il telescopio nella stessa posizione come indicato per la prova di equilibrio AR di cui sopra con il tubo del telescopio su un lato della montatura e la barra del contrappeso parallela al suolo. Bloccare la manopola della frizione AR per mantenere la montatura in posizione.
2. Tenendo saldamente il tubo del telescopio con una mano, allentare la manopola della frizione DEC e ruotare il telescopio in modo che sia parallelo al suolo.
3. Lentamente, lasciare andare il tubo del telescopio e vedere se esso inizia a ruotare verso l'alto o verso il basso, quindi bloccare la manopola della frizione DEC per fissare il tubo in posizione.
4. Se la parte anteriore del telescopio punta verso l'alto, il tubo pesa sul retro e bisogna modificarne il bilanciamento. Allentare le viti di montaggio a coda di rondine del tubo del telescopio, facendo scorrere la coda di rondine leggermente in avanti. Serrare le due viti di montaggio a coda di rondine e provare di nuovo.
5. Se la parte anteriore del telescopio punta verso il basso, il tubo pesa sulla parte frontale e bisogna modificarne il bilanciamento. Allentare le viti di montaggio a coda di rondine del tubo del telescopio, facendo scorrere la coda di rondine leggermente indietro. Serrare le due viti di montaggio a coda di rondine e provare di nuovo.
6. Continuare a regolare la posizione della barra a coda di rondine fino a quando il telescopio, lasciandolo andare, non ruoti verso l'alto o verso il basso.

NOTA: Per i telescopi newtoniani da 114 mm e 130 mm, è possibile regolare il punto di equilibrio del telescopio senza spostare la barra a coda di rondine. Basta allentare le viti d'argento trovate sui due anelli del tubo che circondano il tubo del telescopio. È quindi possibile far scivolare il tubo del telescopio avanti o indietro all'interno degli anelli. Quando viene raggiunto il punto di equilibrio, avvitare le viti dell'anello per bloccarlo in posizione. È inoltre possibile ruotare il tubo all'interno degli anelli utilizzando questo stesso metodo per posizionare l'oculare in un angolo confortevole per la visualizzazione.



Asse A.R.



Asse DEC

ALLINEAMENTO POLARE

La montatura equatoriale ha la capacità di tenere facilmente traccia degli obiettivi celesti ruotando la manopola rallentatore AR o utilizzando un comando a motore opzionale che girerà automaticamente. Perché la montatura lo faccia con precisione, essa dovrà essere "polarmente allineata" o impostata in modo che l'asse di rotazione AR sia parallela all'asse di rotazione terrestre. Questa procedura sembra più complicata di quanto non lo sia davvero e dopo un paio di esecuzioni, risulterà ovvia. Il primo passo di allineamento polare è quello di impostare la montatura alla latitudine corretta per il proprio sito osservativo.

Per impostare la latitudine sulla montatura:

1. Regolare l'altezza di tutte e tre le gambe del treppiede in modo che la montatura sia a livello. E' sufficiente tenerla d'occhio.
2. Determinare la propria latitudine sulla Terra. Se si possiede un dispositivo GPS abilitato, quali un tablet o smartphone, si dovrebbe essere in grado di leggere la latitudine direttamente dal dispositivo. In caso contrario, è possibile trovare queste informazioni online.
3. Individuare la scala della latitudine, situata sul lato della montatura equatoriale vicino alla base.
4. Utilizzare la maniglia scorrevole per allentare la manopola di bloccaggio della regolazione latitudine ruotandola in senso antiorario.
5. Regolare la vite di regolazione della latitudine sul retro della montatura ruotandola in senso orario o antiorario finché il puntatore sopra la scala dell'altitudine punti sulla propria latitudine.

Esempio: A Los Angeles, California, la latitudine è di 33 gradi.

6. Dopo aver impostato correttamente la latitudine, serrare la manopola di bloccaggio regolazione latitudine ruotandola in senso orario.

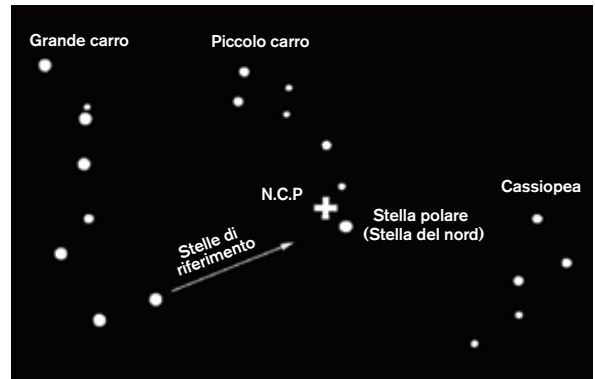
NOTA: Generalmente, l'impostazione di latitudine deve essere fatta solo una volta, se si imposta il telescopio nella stessa posizione ogni volta che si desidera osservare. L'unica volta in cui si necessita modificare questa impostazione è quando viaggia con il telescopio a nord o sud abbastanza lontano da cambiare il grado di latitudine. Si tratta di circa 70 miglia. Piccole modifiche, ad esempio lo spostamento del telescopio dalla parte anteriore a quella posteriore del cortile posteriore, o anche in diverse posizioni all'interno di una città, non richiederanno alcuna modifica.



Con il livello di treppiede e l'impostazione della latitudine, l'unica cosa che rimane da fare è quella di ruotare la montatura affinché l'asse polare (l'asse AR di rotazione) punti a nord. Per fare questo:

1. Configurare il telescopio in modo che il tubo del telescopio sia direttamente sopra la montatura equatoriale e la parte anteriore del tubo del telescopio punti direttamente sulla barra del contrappeso. Bloccare le manopole di frizione AR e DEC per tenere la montatura in questa posizione.
2. Individuare la direzione del Nord. Ci sono due modi per fare questo:
 - a. Utilizzare una bussola magnetica o un'app per dispositivi intelligenti per trovare il nord magnetico. Questo è il metodo più semplice ma purtroppo è poco preciso. Nord magnetico può variare di 15 gradi dal nord geografico. Questo è ancora un buon metodo per operare e per un funzionamento rapido poiché alcune app bussola per dispositivi intelligenti possono compensare le variazioni magnetiche e mostrare il nord geografico.

B. Se si dispone di più tempo e un po' di conoscenza del cielo notturno, si può effettivamente trovare il nord geografico cercando la costellazione del Grande Carro e/o di Cassiopea. La stella polare, la stella del Nord, si trova a circa 0,8 gradi dal nord geografico celeste ed è abbastanza luminosa da vedere ad occhio nudo da cieli suburbani. Cercare le due stelle che formano la fine della conca del carro e disegnare una linea retta attraverso loro che condurrà direttamente alla stella polare. Usando la stella polare come nord geografico si giunge molto vicino ad un accurato allineamento polare.

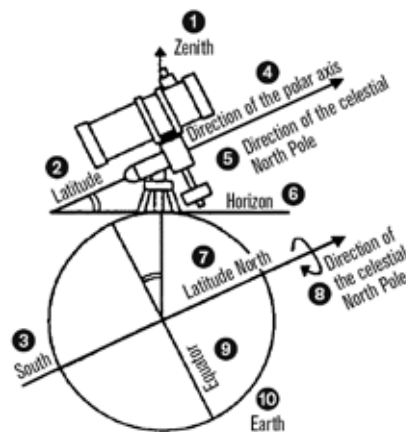


3. Allentare leggermente la manopola tra le tre gambe del treppiede che contiene la montatura EQ alla testa del treppiede. Allentare quanto basta per ruotare la montatura all'interno della testa del treppiede.

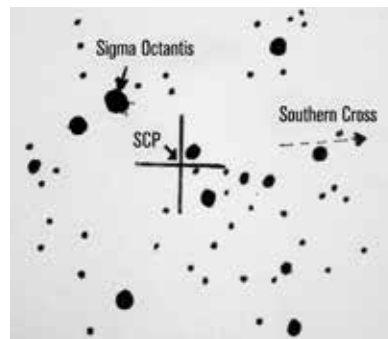
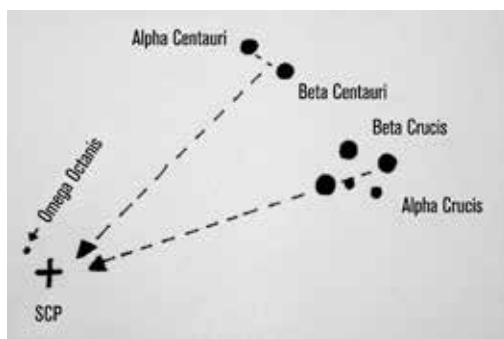
4. Afferrare la montatura equatoriale e ruotarla fino a che il tubo ottico non sia rivolto nella stessa direzione indicata dall'ago della bussola. Se è stato utilizzato il metodo della stella polare, girare la montatura fino a che la lunghezza del tubo non risulti visibile e osservare la stella polare.

5. Una volta che la montatura è allineata al nord, serrare la manopola di connessione della montatura al treppiede per fissarlo in posizione.

NOTA: Se si è nell'emisfero australe, si dovrà utilizzare una bussola per individuare il polo sud celeste. Ruotare la montatura fino a che il telescopio punti sul sud nell'utilizzo dell'ago della bussola. Al posto della stella polare, è possibile utilizzare la stella Sigma Octantis. La Croce del sud costituisce una buona guida per trovare questa stella.



1. Zenith
2. Latitudine
3. Sud
4. Direzione dell'asse polare
5. Direzione del polo nord celeste
6. Orizzonte
7. Latitudine nord
8. Direzione del polo nord celeste
9. Equatore
10. Terra



Con la montatura allineata polarmente, dovrebbe risultare molto facile rintracciare gli oggetti come attraversano il cielo in base alla rotazione della Terra al di sotto. È inoltre possibile individuare gli oggetti utilizzando i cerchi graduati che si trovano sulla montatura. Per maggiori dettagli sull'uso dei cerchi graduati, consultare la sezione alla fine del manuale intitolata "Una parola sui cerchi graduati".

PRIMA SESSIONE DI OSSERVAZIONE ASTRONOMICA

LA LUNA

Ora il telescopio è pronto per delle vere osservazioni notturne!

Iniziamo con la Luna. La Luna impiega circa un mese per completare un ciclo completo, dalla Luna nuova alla Luna piena e così via. Provare ad osservarla nelle diverse fasi.

Anche se è possibile osservare la Luna in qualsiasi momento nel cielo, il momento migliore per osservarla è due giorni dopo la Luna nuova fino a un paio di giorni prima della Luna piena. Durante questo periodo sono visibili numerosi dettagli come i crateri e le montagne lunari. Consultare un calendario per sapere la data della prossima Luna nuova.

1. Quando si ha una buona visione della Luna, impostare il telescopio con l'oculare da 20 mm.
2. Accendere il cercatore e osservare attraverso per trovare il punto rosso.
3. Muovere il telescopio fino a quando viene visualizzata la Luna attraverso la finestrella del cercatore e il puntino rosso è centrato sulla Luna.
4. Guardare attraverso l'oculare da 20 mm. Ruotare delicatamente le manopole di messa a fuoco per regolare la nitidezza dell'immagine.

CONGRATULAZIONI! HAI APPENA OSSERVATO IL TUO PRIMO CORPO CELESTE!

Utilizzando la stessa tecnica di base, è possibile osservare molti altri corpi celesti, come pianeti, ammassi stellari e nebulose.

SUGGERIMENTI SULL'OSSERVAZIONE CELESTE

Questa sezione copre suggerimenti per l'osservazione visiva sia del sistema solare sia di corpi del profondo cielo nonché condizioni di osservazione generale che influenzeranno la capacità di osservazione.

INGRANDIMENTO

È possibile modificare l'ingrandimento del telescopio semplicemente cambiando gli oculari. Entrambi i telescopi e gli oculari hanno lunghezze focali che si misurano in millimetri. Per calcolare l'ingrandimento di una data combinazione telescopio e oculare, prendere la lunghezza focale del telescopio e dividerlo per la lunghezza focale dell'oculare. Il risultato ottenuto rappresenta il fattore di ingrandimento.

Ad esempio, l'AstroMaster 90EQ ha una lunghezza focale di 1000 mm. Utilizzando l'oculare da 20 mm:

$$\text{Ingrandimento} = \frac{\text{Lunghezza focale del telescopio}}{\text{Lunghezza focale dell'oculare}} = \frac{1000 \text{ mm}}{20 \text{ mm}} = 50x$$

CAMPO DI VISUALIZZAZIONE

La determinazione del campo di visualizzazione è importante se si intende avere un'idea della dimensione angolare dell'oggetto che si sta osservando. Per calcolare il campo di visualizzazione attuale, dividere il campo apparente dell'oculare (fornito dal produttore dell'oculare) per l'ingrandimento dato nel cannocchiale.

Utilizzando l'esempio fornito alla sezione precedente, è possibile determinare il campo di visualizzazione utilizzando lo stesso telescopio e l'oculare da 20 mm. L'oculare da 20 mm ha un campo apparente di visualizzazione di 40°.

$$\text{Campo di visualizzazione corrente} = \frac{\text{Campo visivo apparente dell'oculare}}{\text{Ingrandimento}} = \frac{40^\circ}{50} = 0.3 \text{ gradi d'arco}$$

L'oculare da 20 mm ha un campo apparente di visualizzazione di 40°. Dividere i 40° per l'ingrandimento, che è potenza 50. Questo produce un campo visivo effettivo di 0,9 gradi o 54 minuti d'arco.

I PIANETI

Oltre alla Luna, il telescopio è in grado di osservare i 5 pianeti più luminosi. Dal momento che i pianeti cambiano le loro posizioni rispetto alle stelle di fondo, è necessario consultare fonti sul web o utilizzare un'app planetario sullo smartphone per localizzarli.

Qui ci sono alcune cose da cercare:

- **Mercurio e Venere-** Proprio come la Luna, i due pianeti interni passeranno attraverso le fasi da spicchio-mezzaluna crescente alle fasi calanti.
- **Marte-** Quando si trova prossimo all'opposizione (il punto della sua orbita in cui è più vicino alla Terra), si dovrebbe essere in grado di discernere la calotta polare ed eventualmente alcune caratteristiche superficiali più grandi che appaiono come macchie scure sulla superficie.
- **Giove-** Cercare le fasce più scure di nubi di metano che circondano il pianeta appena sopra e sotto l'equatore. Se la Grande Macchia Rossa è rivolta verso la Terra, sarà possibile intravederlo. Sarà possibile vedere anche i quattro satelliti più luminosi di Giove - Io, Europa, Ganimede e Callisto. E' divertente osservare questi satelliti perché possono spostarsi sensibilmente anche solo in un paio di ore. Talvolta, essi si sposteranno dietro Giove o nella sua ombra e scompariranno per qualche tempo. Essi possono anche attraversare la faccia di Giove ed è possibile vedere anche l'ombra del satellite mentre lo attraversa. Ci sono alcune app utili per smartphone concepite per prevedere quando è possibile vedere la Grande Macchia Rossa così come quando tutti gli eventi interessanti, relativi ai satelliti di Giove, stanno per verificarsi.
- **Saturno-** Gli Anelli! Saturno è senza dubbio uno degli oggetti celesti più belli da osservare col telescopio. Se le condizioni di visibilità sono abbastanza stabili, si può anche scorgere l'ombra degli anelli sul pianeta e viceversa. Si dovrebbe essere in grado di vedere Titano, il satellite più brillante di Saturno.

OGGETTI NON STELLARI

I corpi non stellari sono semplicemente quei corpi celesti al di fuori dei confini del sistema solare. Includono ammassi di stelle, nebulose planetarie, nebulose diffuse, stelle doppie e altre galassie al di fuori della Via Lattea. Oggetti quali le nebulose e le galassie possono essere molto grandi, ma anche debolmente luminose. Al fine di ottenere una migliore visualizzazione, è necessario assicurarsi di essere al buio più completo. Tanto più si è lontani dalle luci della città, meglio si vedranno gli oggetti nell'oculare. Nelle fotografie di nebulose e galassie, vedrete rossi e blu vivaci. Questi colori non sono visibili quando si guarda attraverso l'oculare. Le immagini colorate sono il frutto di una lunga esposizione di immagini scattate per oltre 15 - 60 minuti o più, dove l'occhio registra solo una parte dei dati visti. I sensori digitali sono molto più sensibili ai rossi e blu di quanto sia l'occhio umano nella parte verde dello spettro. Ancora, sarà possibile osservare la luce soffusa della galassia di Andromeda e la distesa della Nebulosa di Orione.

CONDIZIONI DEL CIELO

Le condizioni del cielo possono influenzare in modo significativo le prestazioni del telescopio in tre modi.

- **Stabilità dell'aria-** Nelle giornate ventose, le immagini della Luna e dei pianeti appariranno a onda o che saltano attorno all'oculare; come se si guardassero attraverso l'acqua in movimento. Le notti con venti tranquilli permetteranno di vedere i pianeti e la Luna al miglior elevato ingrandimento. Il modo migliore per giudicare la stabilità dell'atmosfera è di guardare le stelle luminose ad occhio nudo. Se sono "scintillanti" o cambiano rapidamente colori, l'aria è instabile e è consigliabile utilizzare potenze inferiori e cercare oggetti non stellari. Se le stelle sono taglienti e non scintillanti, l'aria è stabile e dovrebbe offrire grandi viste planetarie ad elevato ingrandimento.
- **Trasparenza-** Quanto pulita è l'aria che state osservando? Se c'è una quantità elevata di umidità nell'aria, la luce fioca delle galassie e nebulose possono disperdersi in modo diffuso prima di raggiungere il telescopio, causando la perdita di luminosità dell'immagine. La presenza di detriti nell'aria provenienti da incendi boschivi locali o anche da eruzioni vulcaniche distanti possono contribuire ad una grande perdita di luminosità. A volte questa umidità o detriti possono contribuire a stabilizzare l'aria, scattando buone immagini planetarie e lunari, ma la perdita di luce renderebbe difficile vedere gli oggetti non stellari più deboli.
- **Luminosità del cielo-** La quantità di luce ambientale nell'atmosfera può anche compromettere l'osservazione non stellare. L'oscurità del cielo può dipendere dai dintorni. Nel mezzo di una città, la luminescenza del cielo dovuta alle luci della città che si riflettono verso la Terra dal cielo può sopraffare la luce fioca proveniente dalle galassie lontane. Allontanarsi dalle luci di una grande città può fare la differenza tra vedere un oggetto non stellare debole e completamente assente. I pianeti e la Luna sono già luminosi abbastanza di per sé, così l'effetto che si ha nell'osservarli è ridotto al minimo.

SELEZIONE DEL SITO DI OSSERVAZIONE

Se avete intenzione di osservare oggetti non stellari, quali galassie e nebulose, ci si dovrebbe dirigere verso un sito buio, che sia ragionevolmente accessibile. Bisogna stare lontano dalle luci cittadine, avere una vista relativamente aperta dell'orizzonte e controvento di qualsiasi delle principali fonti di inquinamento atmosferico. Scegliere sempre un punto più in alto possibile, per ridurre gli effetti dell'instabilità atmosferica e per garantire di trovarsi sopra il livello di nebbia. Benché possa essere desiderabile impiantare il telescopio presso un sito con cielo buio, non è sempre necessario. Se si prevede di visualizzare i pianeti, la Luna o anche alcuni degli oggetti non stellari più luminosi, è possibile farlo da qualsiasi luogo, anche dal proprio cortile. Cercare di impostare la posizione al di fuori del percorso diretto di lampioni o luci di casa per aiutare a proteggere la visione notturna. Cercare di evitare di osservare tutto ciò che si trova all'interno di 5-10 gradi sopra il tetto di un edificio. I tetti cittadini assorbono calore durante il giorno e irradiano il calore fuori di notte. Ciò può causare uno strato di aria turbolenta direttamente sopra l'edificio in grado di degradare l'immagine. È meglio configurare il telescopio direttamente su una superficie erbosa o sterrata. Impostare su qualsiasi piattaforma rialzata quale una superficie in legno, mentre quelle dure, come il cemento, o il marciapiede dovrebbero essere evitate perché trasmettono facilmente vibrazioni che possono essere trasferite al telescopio.

Non si raccomanda di osservare dalla finestra perché le immagini risulterebbero distorte a causa del vetro. E una finestra aperta può essere anche peggio, perché l'aria interna più calda fuoriesce dalla finestra, causando turbolenza con effetto sulle immagini. L'astronomia è un'attività all'aperto.

SCEGLIERE IL MIGLIOR MOMENTO PER L'OSSERVAZIONE

Cercare di non osservare subito dopo il tramonto. Dopo il tramonto, la Terra è ancora in raffreddamento, causando turbolenze d'aria. Con l'avvicinarsi della sera, non solo si vede meglio, ma diminuiranno l'inquinamento atmosferico e le luci a terra. Alcuni dei momenti migliori per osservare si hanno spesso nelle prime ore del mattino, poco prima dell'alba. Gli oggetti sono meglio osservati all'incrocio con il meridiano, la linea immaginaria che corre da nord a sud attraverso un punto direttamente sopra la propria testa. Questo è il punto in cui gli oggetti raggiungono i punti più alti nel cielo ed il telescopio osserva attraverso la minor quantità di atmosfera possibile. Gli oggetti che sorgono o tramontano vicino all'orizzonte subiranno una maggiore turbolenza atmosferica dal momento che si osserva attraverso una colonna d'aria molto più lunga. Non è sempre necessario disporre di cieli senza nubi se si osservano i pianeti o la luna. Spesso condizioni di cielo coperto forniscono una visione eccellente.

RAFFREDDAMENTO DEL TELESCOPIO

I telescopi richiedono almeno 10 minuti per raffreddarsi alla temperatura dell'aria esterna. Questo potrebbe richiedere più tempo se c'è grande differenza tra la temperatura del telescopio e l'aria esterna. Ciò riduce al minimo la distorsione dell'onda di calore all'interno del tubo del telescopio (correnti del tubo).

ADATTARE GLI OCCHI

Se si prevede di osservare oggetti non stellari in un sito con cielo scuro, sarebbe meglio adattare completamente gli occhi al buio, evitando l'esposizione a fonti di luce bianche quali torce, fari auto, lampioni, ecc. Le pupille necessiteranno di circa 30 minuti per dilatarsi al diametro massimo e aumentare i livelli dei pigmenti ottici per aiutare gli occhi a vedere la luce fioca da un bersaglio distante. Se si necessita dell'aiuto di luce per configurare il telescopio al buio, provare a utilizzare una torcia a LED rossa il meno luminosa possibile ed evitare di guardare direttamente la sorgente di luce. Ciò concederà le migliori possibilità di acquisizione degli oggetti non stellari deboli.

Durante l'osservazione, è importante farlo con entrambi gli occhi aperti. Questo evita l'affaticamento dell'occhio all'oculare. Se si trova la cosa troppo antipatica, coprire l'occhio non utilizzato con la mano o mettere una benda sull'occhio. Il centro dell'occhio funziona bene alla luce del sole, ma è la parte meno sensibile dell'occhio quando si cerca di vedere dettaglio più sottile a bassi livelli di luce. Quando nell'oculare si cerca un obiettivo debole, non guardarlo direttamente. Guardare, invece, verso il bordo del campo visivo e l'oggetto apparirà più luminoso.

ASTROFOTOGRAFIA

Una delle prime domande che la maggior parte delle persone si pone sul proprio nuovo telescopio è la seguente: "Come si scattano le fotografie?". Il telescopio è in grado di osservare la Luna e i pianeti, ma oggetti non stellari richiedono un telescopio più avanzato e una montatura con rilevamento motorizzato finemente orientato. Ci sono diversi metodi per utilizzare il telescopio per l'immaginografia:

- **Dispositivi intelligenti o fotocamere compatte-** Questo è il metodo più semplice e lineare e funziona bene per le immagini della Luna e dei pianeti. Basta tenere la fotocamera del dispositivo vicino all'oculare e scattare l'immagine. Mentre è possibile l'utilizzo con qualsiasi oculare, è generalmente più facile per ottenere un'immagine usare un oculare a bassa potenza (lunghezza focale). E' necessario avere la mano ferma per tenere il telefono vicino all'oculare, ma è possibile ottenere buoni risultati.
- **DSLR-** Celestron offre adattatori che permetteranno di collegare un corpo Canon o Nikon DSLR al telescopio al posto dell'oculare. Sarà possibile effettivamente utilizzare il telescopio come teleobiettivo. Ciò richiederà un adattatore a T per il telescopio e un anello a T per il corpo della fotocamera. Per ulteriori informazioni sugli adattatori per il modello specifico del telescopio, si prega di visitare il sito www.celestron.com.
- **Sensore CMOS per alta risoluzione planetaria-** Si tratta di telecamere specializzate che sostituiscono l'oculare del telescopio. Si può collegare al portatile tramite porta USB. La fotocamera registra video del pianeta, quindi il software incluso divide il file video in singoli fotogrammi. Il software unisce quindi i singoli fotogrammi in una singola immagine che contiene maggiori dettagli di quanto fosse visibile in ogni singolo fotogramma. Questo metodo fornirà le migliori immagini possibili lunari e planetarie, ma è necessario avere un portatile adatto. Per ulteriori informazioni sulla fotocamera planetaria, si prega di visitare il sito www.celestron.com.

ATTREZZATURA PER L'OSSERVAZIONE NON STELLARE

Ci sono alcuni strumenti indispensabili per identificare e localizzare gli oggetti non stellari:

- **Torcia elettrica a luce rossa-** Si tratta di uno strumento essenziale nell'astronomia non stellare per la lettura dei grafici dei cercatori o gli atlanti stellari. Per vedere la debole luce proveniente da oggetti distanti come nebulose o galassie, gli occhi devono essere completamente adattati al buio, con l'iride aperta al massimo per farvi penetrare più luce dal telescopio. La luce bianca delle torce standard causerà la chiusura dell'iride e potrebbe volerci fino a mezz'ora perché gli occhi si riadattino completamente all'oscurità. Le luci rosse non hanno lo stesso effetto. Si consiglia qualsiasi torcia elettrica LED a luce rossa con regolazione dei livelli di luminosità, perché anche la luce rossa, se eccessivamente forte, può influenzare la visione notturna. E' possibile trovarle presso i rivenditori di telescopi, ma anche nei negozi per articoli da campeggio e nelle ferramenta.
- **Planisfero-** Il planisfero è una mappa stellare circolare speciale che mostrerà la posizione approssimativa delle costellazioni sopra la propria testa, così per orientarsi nel cielo. A differenza dei grafici che si possono stampare online, i planisferi sono ottimi in qualsiasi periodo dell'anno, non solo nella data o mese stampato. Esso è costituito da due dischi circolari uniti al centro. Il disco inferiore contiene una mappa delle costellazioni mentre il disco superiore contiene una finestra ritagliata su di esso che mostra una porzione di mappa del cielo. Ruotando i dischi interni ed esterni e abbinandoli alla propria specifica data e ora, la mappa mostrerà solo quelle costellazioni visibili in quel dato momento. Ciò è utile per trovare posizioni isolate di costellazioni e stelle luminose. I planisferi sono disponibili nei negozi di libri e sono disponibili in diverse latitudini nell'emisfero nord oppure in quello sud. Assicurarsi di scegliere quale meglio si adatta alla propria posizione geografica. Per ottenere informazioni più dettagliate su dove sono situati gli oggetti non stellari all'interno delle costellazioni è necessario avere un atlante stellare.
- **Atlante stellare-** Gli atlanti stellari sono mappe del cielo. Dopo aver individuata una costellazione sul planisfero, l'atlante stellare mostrerà una visione dettagliata, ravvicinata di quella regione del cielo mostrando le stelle e gli oggetti non stellari in essa presenti. Essi si trovano presso i diversi rivenditori di telescopi o nelle librerie.
- **App e Programmi-** Ci sono diverse applicazioni disponibili per smartphone o tablet in grado di sostituirsi al planisfero e alle mappe stellari. Esse offriranno rappresentazioni digitali del cielo notturno sul proprio dispositivo, permettendo di passare dal rilevamento ampio alla visualizzazione ingrandita semplicemente toccando lo schermo. Esse possono essere scaricate o acquistate dall'app store, in funzione della piattaforma in uso. Ci sono anche alcuni ottimi programmi per la simulazione del cielo astronomico disponibili per computer in grado di mostrare sullo schermo mappe stellari altamente dettagliate e di aiutare a pianificare una sessione osservativa prima di uscire fuori con mappe stellari stampabili personalizzate per data, posizione e ora.

STAR HOPPING

Il modo più semplice per orientarsi nel cielo è dato da una tecnica chiamata star Hopping. La prima cosa da fare è quella di misurare il campo di visualizzazione del cercatore. Guardare il cielo e individuare una costellazione con stelle luminose. È possibile utilizzare l'app planisfero o astronomia per facilitarne l'individuazione. Ora è possibile cercare la mappa nell'atlante stellare indicante questa costellazione. Centrare il cercatore su qualsiasi stella luminosa che è possibile riconoscere sulla mappa stellare. Tenere la testa 12 pollici dietro i vetri riflettenti del cercatore StarPointer e spostare il telescopio in modo che la stella luminosa sia sul bordo del campo di visualizzazione della finestra (non importa quale direzione si sceglie). Senza muovere il telescopio, guardare attraverso la finestra del cercatore e individuare un'altra stella vicino al bordo opposto del campo di visualizzazione. Individuare la seconda stella sul grafico. Misurare la distanza tra queste due stelle sul grafico utilizzando il righello. Questa distanza rappresenta un campo di visualizzazione del cercatore sull'atlante. È ora possibile utilizzare questa misura per individuare gli oggetti celesti.

CURA E PULIZIA DEL TELESCOPIO

Sebbene il telescopio necessiti di poca manutenzione, vi sono alcune cose da ricordare che garantiranno prestazioni ottime del telescopio. A volte, polvere e/o umidità possono accumularsi sulle lenti dell'obiettivo. Deve essere prestata particolare attenzione durante la pulizia di qualsiasi strumento in modo da non danneggiarne l'ottica.

Se la polvere si è accumulata sull'ottica, seguire i seguenti passaggi, nell'ordine, per pulire il campo di applicazione:

1. Utilizzare un pennello di pelo di cammello per rimuovere delicatamente le particelle più grandi.
2. Utilizzare un soffiatico fotografico per soffiare via eventuali detriti. È anche possibile utilizzare una bomboletta di aria compressa, come quelle vendute per la pulizia di tastiere di computer, ma bisogna fare molta attenzione. Evitare l'uso di bombolette quasi vuote e assicurarsi di tenerle in posizione verticale. Il mancato rispetto di tale disposizione può causare che del propellente venga spruzzato dalla bomboletta sull'ottica. Tenere la superficie ottica formando un angolo con lo spruzzo per circa due-quattro secondi.
3. Utilizzare una soluzione per la pulizia delle superfici ottiche composta da alcool isopropilico da banco e acqua distillata in una miscela 50/50. Applicare la soluzione su della carta bianca inodore, quindi applicare la carta velina all'ottica. Colpi a bassa pressione devono andare dal centro della lente (o specchio) verso l'esterno in linea retta come i raggi della ruota.
Non strofinare in modo circolare!

Potrebbe verificarsi la formazione di condensa sulle ottiche del telescopio durante una sessione di osservazione. Se si desidera continuare l'osservazione, rimuovere la condensa con un asciugacapelli (a bassa intensità) o puntando il telescopio verso il basso fino a quando la condensa è evaporata. Se la condensa si forma all'interno delle ottiche, rimuovere gli accessori dal telescopio. Sistemare il telescopio in un ambiente privo di polvere e rivolgerlo verso il basso fino a quando l'umidità non sarà evaporata.

Per minimizzare la necessità di pulire il telescopio, riposizionare tutti i tappi delle lenti una volta terminato l'utilizzo del telescopio. Poiché i tubi del telescopio non sono a tenuta, sistemare i tappi sulle aperture quando non in uso. Ciò eviterà l'ingresso di contaminanti nel tubo.

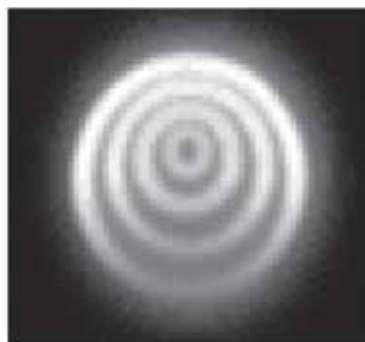
Le regolazioni e la pulizia interne devono essere effettuate dalla divisione di assistenza Celestron. Se il telescopio necessita di pulizia interna, contattare la fabbrica per un numero di autorizzazione al reso e un preventivo.

COLLIMAZIONE DEL TELESCOPIO NEWTONIANO

Sebbene il telescopio richiede poca manutenzione, ci sono alcune cose da ricordare per garantirne il suo funzionamento la collimazione rappresenta il processo di allineamento degli specchi del telescopio in modo che operino a vicenda di concerto per fornire la giusta condizione di luminosità all'oculare per la messa a fuoco. Osservando le immagini stellari fuori fuoco, è possibile verificare l'allineamento dell'ottica del telescopio. Posizionare una stella al centro del campo di visualizzazione e spostare il foceggiatore, in modo che l'immagine risulti leggermente fuori fuoco. Se le condizioni di visibilità sono buone, si vedrà un cerchio centrale di luce (il disco di Airy) circondato da una serie di anelli di diffrazione. Se gli anelli sono simmetrici al disco di Airy, l'ottica del telescopio risulta correttamente collimata.



Correttamente allineato

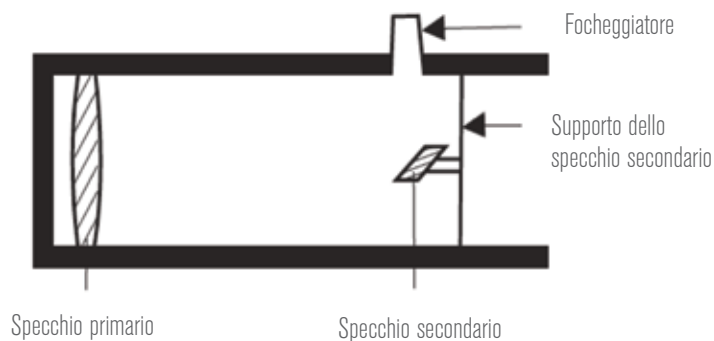


E' necessario collimare

La collimazione è un processo indolore e funziona come segue:

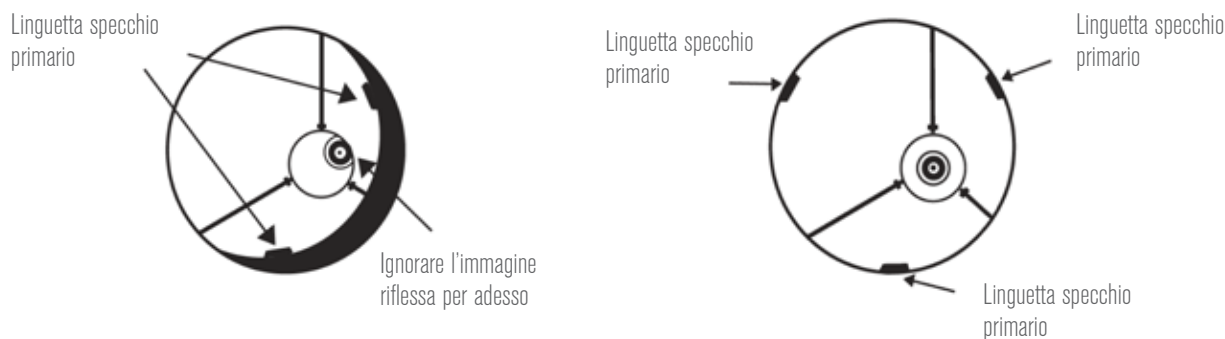
Tirare fuori il copriobiettivo che copre la parte anteriore del telescopio e guardare nel tubo ottico. Sul fondo si vedrà lo specchio primario sostenuto da tre linguette ad oltre 120° , e nella parte superiore dello piccolo specchio ovale secondario sostenuto e inclinato di 45° verso il foceggiatore della parete esterna del tubo.

Lo specchio secondario si allinea regolando le tre viti più piccole che circondano il bullone centrale. Lo specchio primario è regolabile tramite le tre viti di regolazione sul retro del cannocchiale. Le tre viti di bloccaggio accanto ad esse servono per tenere lo specchio in posizione dopo la collimazione.



ALLINEAMENTO DELLO SPECCHIO SECONDARIO

Puntare il telescopio verso una parete illuminata nel focheggiatore senza l'oculare installato. Potrebbe essere necessario ruotare la manopola di messa a fuoco per alcuni giri fino a quando l'immagine riflessa del focheggiatore non si vedrà più. Mantenere l'occhio verso il retro ed il centro del tubo di messa a fuoco. Cercare le tre linguette che tengono lo specchio secondario in posizione. Se non si vedono, vuol dire che bisogna regolare le tre viti sulla parte superiore del supporto dello specchio secondario, possibilmente con una chiave a brugola o cacciavite con testa a croce. Si dovrà allentare alternativamente solo una, e quindi compensare l'allentamento serrando le altre due. Fermarsi quando si vedono tutte e tre le linguette dello specchio. Assicurarsi che tutte e tre le piccole viti di allineamento siano serrate per fissare lo specchio secondario in posizione.



ALLINEAMENTO DELLO SPECCHIO PRIMARIO

Ci sono 3 bulloni grandi e 3 piccole viti sul retro del telescopio. I bulloni grandi costituiscono le viti di regolazione e le piccole viti sono le quelle di bloccaggio. Allentare di qualche giro i bulloni grandi. Ora mettere la mano intorno alla parte anteriore del telescopio tenendo d'occhio il focheggiatore, si vedrà così l'immagine riflessa della mano. Si tratta qui di vedere in quale misura lo specchio primario è difettoso, fermandosi al punto in cui l'immagine riflessa dello specchio secondario è più vicina al bordo degli specchi primari.

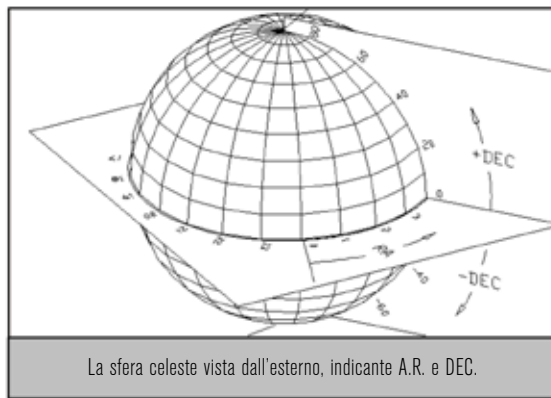
Quando si arriva a quel punto, arrestare e tenere la mano lì mentre guardando il retro posteriore del telescopio, verificare se c'è la vite di regolazione. Se c'è, è necessario allentarla (girare la vite verso sinistra) per portare lo specchio lontano da quel punto. Se non c'è, quindi spostarsi sul lato opposto e serrare la vite di regolazione di tale lato. Ciò allineerà gradualmente lo specchio. (Può aiutare avere qualcuno vicino per collimare lo specchio primario. Fargli regolare le viti di regolazione, secondo quanto necessario mentre si guarda il focheggiatore).

Uscire dopo il tramonto e puntare il telescopio verso la stella polare, la stella del Nord. Con l'oculare nel focheggiatore, scattare l'immagine fuori fuoco. Solo adesso si vedrà la stessa immagine, poiché sarà illuminata dalla luce stellare. Se necessario, ripetere il processo di collimazione mantenendo solo al centro la stella mentre si modificano gli specchi.



UNA PAROLA SUI CERCHI GRADUATI

Il sistema delle coordinate celesti è molto simile al sistema di latitudine e longitudine che abbiamo utilizzato per mappare la terra. Come le città sulla mappa hanno specifiche coordinate di latitudine e longitudine, le stelle e gli oggetti non stellari dispongono di coordinate di ascensione retta (AR) e declinazione (DEC) sulla sfera celeste. I telescopi sono dotati di due cerchi graduati, uno sull'asse AR e uno sull'asse DEC. I cerchi graduati sono dischi di diametro di 3 pollici con le marcature graduate su di essi che possono aiutare a individuare gli oggetti nel cielo notturno dalle rispettive coordinate celesti.



Gli assi di declinazione della sfera celeste sono suddivisi in gradi, minuti e secondi d'arco. All'equatore celeste, la coordinata di Dec è 0 gradi, con 90 gradi, trattandosi del polo nord celeste e -90 gradi, trattandosi del polo sud celeste. La coordinata di Dec svela quanto lontano a nord o a sud si necessita andare per trovare l'obiettivo.

Prima di poter utilizzare i cerchi graduati per trovare gli oggetti nel cielo è necessario prima allinearli. Quando si allinea polarmente la montatura, in realtà si allinea pure il cerchio graduato di DEC, così da non necessitare di altro. Il cerchio graduato di AR richiede alcune informazioni aggiuntive.

Sul cerchio graduato di AR ci sono due insiemi di numeri sul quadrante – uno per l'emisfero nord (in basso) e uno per l'emisfero sud (in alto). Al fine di allineare il cerchio graduato di AR, è necessario essere in grado di identificare alcune delle stelle più luminose nel cielo. È possibile utilizzare un atlante stellare o un'app astronomia per un aiuto.

Per allineare il cerchio graduato di AR:

1. Individuare una stella luminosa vicino all'equatore celeste. Più lontano si è dal polo celeste migliore sarà la lettura sul cerchio graduato di AR.
2. Utilizzare l'atlante stellare o l'app astronomia per cercare le coordinate della stella selezionata.
3. Centrare la stella nell'oculare del telescopio.
4. Senza muovere il telescopio, ruotare il cerchio graduato di AR fino a quando l'indicatore del AR punti sulle coordinate AR della stella selezionata.

NOTA: Il cerchio graduato di AR **NON** si sposta quando il telescopio si muove in AR, il cerchio graduato deve essere allineato ogni volta che si desidera utilizzare nel trovare un oggetto. Comunque, non è necessario utilizzare una stella ogni volta. Al contrario, è possibile utilizzare le coordinate dell'oggetto che attualmente si sta osservando.

Una volta che i cerchi sono allineati possono essere utilizzati per trovare qualsiasi oggetto con coordinate note. La precisione dei cerchi graduati è direttamente correlata all'accuratezza dell'allineamento polare.

Per trovare gli oggetti che utilizzano i cerchi graduati:

- 1.** Selezionare l'oggetto da osservare. Utilizzare il planisfero, atlante stellare, o app o programma di astronomia per assicurarsi che l'oggetto scelto sia sopra l'orizzonte. Acquistando maggiore familiarità con il cielo notturno, ciò non sarà più necessario.
- 2.** Cercare le coordinate dell'obiettivo.
- 3.** Tenere fermo il telescopio e rilasciare la manopola di bloccaggio DEC.
- 4.** Spostare il telescopio in declinazione fino a quando l'indicatore non punterà verso la coordinata di corretta declinazione.
- 5.** Bloccare la manopola di bloccaggio DEC per impedire al telescopio di spostarsi.
- 6.** Tenere fermo il telescopio e rilasciare la manopola di bloccaggio AR.
- 7.** Spostare il telescopio in AR fino a quando l'indicatore non punterà verso la coordinata corretta.
- 8.** Bloccare la manopola di blocco AR per impedire al telescopio di scivolare in AR.

A causa di errori di allineamento polare e la precisione dei cerchi graduati su questa montatura equatoriale, è improbabile che si vedrà l'oggetto nell'oculare del telescopio. Sarà necessario utilizzare i comandi rallentatore ed eseguire una ricerca circolare lenta fino a che l'oggetto non cadrà nel campo di visualizzazione.

Si prega di notare che l'utilizzo dei cerchi graduati è più complicato rispetto al semplice metodo descritto nella precedente sezione "Star Hopping". Si raccomanda di iniziare con Star Hopping, ma con un po' di pazienza e una certa pratica, i cerchi graduati possono diventare una via percorribile per individuare gli oggetti nel cielo notturno. Provare a fare pratica sulle stelle luminose, o anche pianeti, in quanto sono relativamente facili da vedere al cercatore una volta presa familiarità con esso.

NOTE

NOTE

GARANZIA LIMITATA DI DUE ANNI CELESTRON

A. Celestron garantisce che il telescopio è privo di difetti nei materiali e nella fabbricazione per due anni. Celestron riparerà o sostituirà tale prodotto o parte dello stesso che, dopo una verifica da parte di Celestron, risulti essere difettoso nei materiali o nella fabbricazione. Come condizione dell'obbligo di Celestron di riparare o sostituire detto prodotto, il prodotto deve essere restituito a Celestron assieme a una prova d'acquisto che sia soddisfacente per Celestron.

B. Prima dell'invio del prodotto per la restituzione è necessario ottenere da Celestron un codice di autorizzazione alla restituzione. Chiamare Celestron al numero (310) 328-9560 per ricevere il numero da mostrare all'esterno della confezione di spedizione.

Tutte le restituzioni devono essere accompagnate da una dichiarazione scritta indicante il nome, l'indirizzo e un numero di telefono del proprietario, assieme a una breve descrizione del difetto reclamato. Le parti del prodotto per cui si effettua la sostituzione diventano proprietà di Celestron.

Il cliente è responsabile di tutti i costi di trasporto e assicurazione, da e verso la fabbrica di Celestron, che devono essere pagati in anticipo.

Celestron si impegna a riparare o sostituire ogni telescopio coperto da garanzia entro 30 giorni dalla ricezione. In caso la riparazione o la sostituzione richieda più di trenta giorni, Celestron notificherà il cliente di conseguenza. Celestron si riserva il diritto di sostituire qualsiasi prodotto di cui sia stata interrotta la produzione con un prodotto nuovo di valore e funzione simile.

La presente garanzia sarà annullata e non sarà più in vigore o efficace nel caso in cui un prodotto coperto da garanzia sia stato modificato nel design o nelle funzioni, o si sospetti l'abuso, l'uso improprio, cattiva gestione o riparazioni non autorizzate. Inoltre, il malfunzionamento o il deterioramento del prodotto dovuti alla normale usura del prodotto non sono coperti dalla garanzia.

CELESTRON DECLINA QUALSIASI GARANZIA, ESPRESSA O IMPLICITA, SIA DI COMMERCIALIZZABILITÀ SIA DI ADEGUATEZZA PER UN DETERMINATO SCOPO, ECCETTO NEI CASI ESPRESSAMENTE QUI INDICATI. IL SOLO OBBLIGO DI CELESTRON RELATIVO A QUESTA GARANZIA LIMITATA È QUELLO DI RIPARARE O SOSTITUIRE IL PRODOTTO COPERTO DALLA GARANZIA SECONDO I TERMINI QUI INDICATI. CELESTRON DECLINA QUALSIASI GARANZIA PER PERDITE DI PROFITTI O DANNI GENERALI, SPECIALI, INDIRETTI O CONSEGUENTI DERIVATI DALLA VIOLAZIONE DELLA GARANZIA, O DALL'USO O L'INCAPACITÀ DI UTILIZZO DI QUALSIVOGLIA PRODOTTO CELESTRON. LE GARANZIE IMPLICITE E CHE NON POSSONO ESSERE DECLINATE SONO LIMITATE NELLA DURATA A UN TERMINE DI DUE ANNI DALLA DATA D'ACQUISTO.

Alcuni Stati non consentono l'esclusione o la limitazione di danni accidentali o conseguenti, o limitazioni sulla durata di una garanzia implicita, per cui le limitazioni ed esclusioni sopra indicate potrebbero non essere applicabili.

La presente garanzia dà all'utente specifici diritti legali, oltre ad altri diritti che possono variare da Stato a Stato.

Celestron si riserva il diritto di modificare o sospendere la produzione, senza previa notifica, di qualsivoglia modello o stile di telescopio.

Nel caso in cui sorgano problemi di garanzia, o se si necessita di assistenza per l'uso del telescopio, contattare: Celestron - 800.421.9649

NOTA: La presente garanzia è valida per i clienti di Stati Uniti e Canada che hanno acquistato il proprio prodotto da un rivenditore Celestron autorizzato negli Stati Uniti o in Canada. La garanzia al di fuori di Stati Uniti e Canada è valida esclusivamente per i clienti che hanno effettuato l'acquisto da un distributore internazionale Celestron o da un rivenditore autorizzato Celestron nello specifico Paese. Contattare tali rivenditori per qualsiasi tipo di assistenza relativamente alla garanzia.

NOTA FCC: Il presente dispositivo è conforme alla Parte 15 delle Norme FCC. Il funzionamento è soggetto alle seguenti due condizioni: (1) Il presente dispositivo non deve causare interferenze dannose, e (2) il presente dispositivo deve accettare qualsiasi interferenza ricevuta, comprese interferenze che potrebbero causare un funzionamento indesiderato.

Il design del prodotto e le specifiche sono soggetti a modifiche senza previa notifica.
Questo prodotto è progettato per essere utilizzato da persone di età pari o superiore ai 14 anni.



© 2017 Celestron • Tutti i diritti riservati.
www.celestron.com
2835 Columbia Street • Torrance, CA 90503 U.S.A.
Telefono: 800.421.9649

01-17
Stampato in Cina