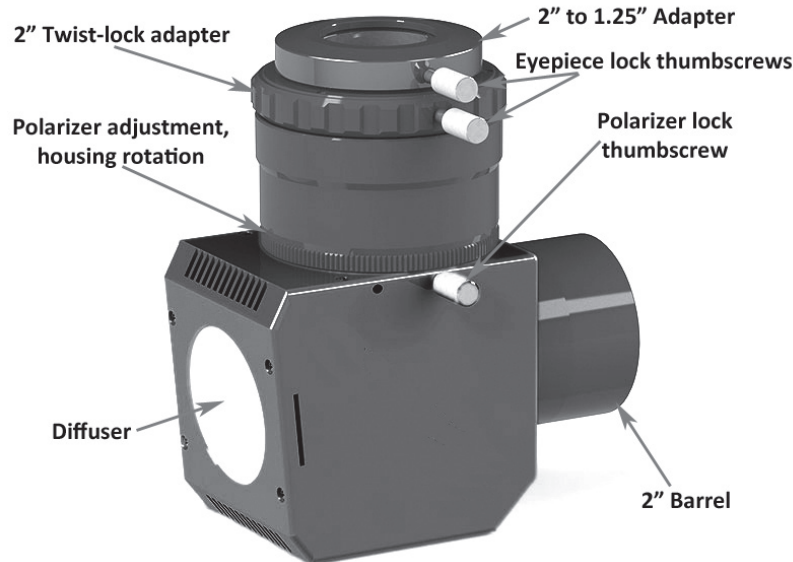




## 2" Herschel Wedge Solar Safe White-Light Filter User's Manual



Product #608010



**DANGER!** Improper use of solar equipment can result in instant and irreversible eye damage. Read this manual before using the Meade Herschel Wedge Solar Filter.



**WARNING!** Never look at the Sun with your eye without a proper solar filter. Never look at the Sun with a telescope unless it is properly filtered for safe viewing. Permanent eye damage will result. Block all non-filtered optical components such as viewfinders to prevent concentrated sunlight from passing through. Never allow unattended children to operate or be near a solar telescope system.

Note: The Meade Herschel Wedge is for refractor telescopes only. Do not use with a refractor that has an objective larger than 6" (152mm) in diameter.

Congratulations on your purchase of a 2" Herschel Wedge Solar Filter! With proper care and use this filter will provide a lifetime of viewing enjoyment on the ever-changing surface of the Sun. The Herschel Wedge reveals solar detail in white light, ideal for detailed observation of sunspots and surface granulation. This filter is suitable for both visual and photographic use. Please read and understand the below instructions completely and fully.

### Telescope Requirements

This Herschel Wedge should only be used with refractor telescopes no larger than 6" (152mm) in diameter. Your telescope should have a 2" focuser or visual back to connect to the Herschel Wedge.

### Installation

1. Insert the 2" barrel into the 2" focuser or visual back of your refractor telescope. Lock the barrel in place with the thumbscrews on your telescope's visual back (if equipped) or locking mechanism. There should be no other accessory or optical component between the rear of the refractor and the Herschel Wedge.
2. Insert your 2" or 1.25" eyepiece. If you are using a 1.25" eyepiece, you must keep the 2" to 1.25" adapter installed and lock the thumbscrew to secure the eyepiece. If you are using a 2" eyepiece, you can lock it in place by turning the knurled housing clockwise. This will secure your eyepiece in place using the twist-lock adapter.

## Attaching a Camera

The Herschel Wedge accepts both 2" and 1.25" accessories. If imaging with a DSLR camera, you would need a T-ring for the make and model camera being used and a 2" or 1.25" T-adapter to connect the Herschel Wedge. If imaging with a CCD/CMOS camera a 2" or 1.25" barrel threaded to the camera body would suffice. Common camera adapters are available to adapt most cameras to the Herschel Wedge.

## Finding the Sun

Use the diffuser at the back of the wedge to easily locate the Sun. Position the telescope so that the solar disk appears on the diffuser. Remember to block or remove all other optical components such as viewfinders when aiming the telescope at the Sun.

**CAUTION:** The diffuser can get very hot. Avoid direct contact with the diffuser when viewing the Sun. Never remove the Herschel Wedge when pointing at the Sun.

## Adjusting Brightness

The built-in variable polarizing filter allows you to adjust the image brightness for both visual and photographic use. To adjust the brightness:

1. Unlock the polarizer lock thumbscrew located at the base of the eyepiece adapter housing.
2. Rotate the eyepiece adapter housing while looking through the eyepiece to adjust brightness to the desired level. If using a camera, you may need to experiment with different exposures and brightness settings to find the best result.
3. Retighten the polarizer lock thumbscrew to lock the polarizing filter in place.

## Usage Tips

- Solar observing can warm up the telescope enough to create thermal tube currents and degrade image quality. If necessary, cover the telescope tube with a light colored cloth to reduce heat build-up and tube currents.
- Avoid observing over pavement or building rooftops. Ground thermals can be strong during the day and affect image quality. A grassy field or lakeside make for better viewing areas.
- Always remember to point the telescope away from the sun before installing or removing the Herschel Wedge.

Specifications	
Barrel diameter	2" format
Eyepiece compatibility	2" and 1.25" format
Backfocus	115mm
Clear aperture	46mm

### Meade Limited Warranty

Every Meade solar product is warranted by Meade Instruments Corp ("Meade") to be free of defects in materials and workmanship for a period of ONE YEAR from the date of original purchase in the U.S.A. Meade will repair or replace a product, or part thereof, found by Meade to be defective, provided the defective part is returned to Meade, freight-prepaid, with proof of purchase. This warranty applies to the original purchaser only and is non-transferable. Meade products purchased outside North America are not included in this warranty, but are covered under separate warranties issued by Meade international distributors. RGA Number Required: Prior to the return of any product or part, a Return Goods Authorization (RGA) number must be obtained from Meade by writing, or by calling (800) 626-3233. Each returned part or product must include a written statement detailing the nature of the claimed defect, as well as the owner's name, address, and phone number. This warranty is not valid in cases where the product has been abused or mishandled, where unauthorized repairs have been attempted or performed, or where depreciation of the product is due to normal wear-and-tear. Meade specifically disclaims special, indirect, or consequential damages or lost profit which may result from a breach of this warranty. Any implied warranties which cannot be disclaimed are hereby limited to a term of one year from the date of original retail purchase. This warranty gives you specific rights. You may have other rights which vary from state to state. Meade reserves the right to change product specifications or to discontinue products without notice. This warranty supersedes all previous Meade product warranties.

Meade Instruments Corp.

27 Hubble

Irvine, CA 92618

800-626-3233 ■ [www.meade.com](http://www.meade.com)

20170530 REV 1